



2019



SINCE 1969...
50 YEARS OF EXCELLENCE

ALUCOBOND® A2 / PLUS

ALUCORE®



DISTRIBUTORS/AGENTS:

AUSTRALIA
Alucobond Architectural
A Division of Halifax Vogel Pty Limited
 25 West Park Drive,
 Derrimut Victoria 3012
 Australia
 Telephone: (61) 3 9394 3131
 Telefax: (61) 3 9394 3129
 Email: info@alucobond.com.au
 www.alucobond.com.au

BANGLADESH
Housing & Technology Limited
 Gagan Shresh (2nd Floor)
 76, 76/1 East Raza Bazar
 Panthapath, Dhaka 1215
 Bangladesh
 Telephone: (880) 2 814 5765/815 1146
 TeleFax: (880) 2 814 4180
 Email: hf@bdcom.com
 www.alucobond.com.bd

BHUTAN
Y B International Co.
 Suite 503 Handuk Bldg
 649-4 Yuksam-Dong
 Kangnam-Ku, Seoul, Korea
 Telephone: (82) 2 567 1281/3
 Telefax: (82) 2 567 1264
 E-mail: yb@alucobond.com.kr

CHINA
ALUCOBOND COMPOSITES (JIANGSU) LTD.
 10 South Hehuan Road
 Zhonglou, Changzhou 213023 China
 Telephone: 0519 8166 5822
 Telefax: 0519 8168 5799
 Email: alucobond.china@3acomposites.com
 www.alucobond.com.cn

INDONESIA
PT Alucobond Far East Indonesia
 Jl. Jalur Sutera Timur Kav 7A, No.6
 Alam Sutera Tangerang
 Banten 15143
 Indonesia
 Mobile: (62) 8161968643
 E-mail: hendry.halim@3acomposites.com
 www.alucobond.com.id

JAPAN
NIHON SEIZUKI KOGYO CO., LTD
 Parks Tower 29F
 2-10-70 Nambanaka Naniwa-ku
 Osaka 556-0011
 Telephone: (81) 6 6578 0190
 E-mail: support@nisky.com.jp
 www.alucobond.com.sg

KOREA
Y B International Co.
 Suite 503 Handuk Bldg
 649-4 Yuksam-Dong
 Kangnam-Ku, Seoul, Korea
 Telephone: (82) 2 567 1281/3
 Telefax: (82) 2 567 1264
 E-mail: yb@alucobond.com.kr

LAOS
ALUCOBOND (FAR EAST) PTE LTD
 No. 12 St.289, Sangkat Boeung Kak 1
 Khan Toul Korik
 Phnom Penh, Cambodia
 Telephone: 965 6303 9750
 Telefax: (85) 6303 9751
 Email: sales@alucobond.com.sg
 www.alucobond.com.sg

LAOS
ALUCOBOND (FAR EAST) PTE LTD
 No. 12 St.289, Sangkat Boeung Kak 1
 Khan Toul Korik
 Phnom Penh, Cambodia
 Telephone: 965 6303 9750
 Telefax: (85) 6303 9751
 Email: sales@alucobond.com.sg
 www.alucobond.com.sg

LAOS
ALUCOBOND (FAR EAST) PTE LTD
 No. 12 St.289, Sangkat Boeung Kak 1
 Khan Toul Korik
 Phnom Penh, Cambodia
 Telephone: 965 6303 9750
 Telefax: (85) 6303 9751
 Email: sales@alucobond.com.sg
 www.alucobond.com.sg

BRUNEI
Maju Jaya Sdn Bhd
 Unit 5, Ground Floor
 Simpang 607-17 Berbi Komplex
 Jalan Gastong BE1110
 Bandar Seri Begawan
 Brunei Darussalam
 Telephone: (673) 2 653 950/952
 Telefax: (673) 2 653 971
 E-mail: majyab68@yahoo.com
 www.alucobond.com.bn

CAMBODIA
ALUCOBOND (FAR EAST) PTE LTD
 No. 12 St.289, Sangkat Boeung Kak 1
 Khan Toul Korik
 Phnom Penh, Cambodia
 Telephone: 965 6303 9750
 Telefax: (85) 6303 9751
 Email: sales@alucobond.com.sg
 www.alucobond.com.sg

FIJI ISLANDS
VINOD PATEL & CO. LTD.,
 1 Rata Dovi Road, Centerpoint
 G.P.O Box 14416, Suva
 Fiji Islands
 Ph: (679) 339 3111
 Fax: (679) 339 9897
 Email: enquiry@vinodpatel.com.fj
 www.vinodpatel.com.fj

HONG KONG
Fortlec (HK) Ltd
 19/F Citicorp Centre,
 18 Whitfield Road
 North Point
 Hong Kong
 Telephone: (852) 2598 6618
 Telefax: (852) 2598 6881
 E-mail: info@valonggroup.com
 www.valonggroup.com
 www.alucobond.hk

INDONESIA
PT Alucobond Far East Indonesia
 Jl. Jalur Sutera Timur Kav 7A, No.6
 Alam Sutera Tangerang
 Banten 15143
 Indonesia
 Mobile: (62) 8161968643
 E-mail: hendry.halim@3acomposites.com
 www.alucobond.com.id

JAPAN
NIHON SEIZUKI KOGYO CO., LTD
 Parks Tower 29F
 2-10-70 Nambanaka Naniwa-ku
 Osaka 556-0011
 Telephone: (81) 6 6578 0190
 E-mail: support@nisky.com.jp
 www.alucobond.com.sg

KOREA
Y B International Co.
 Suite 503 Handuk Bldg
 649-4 Yuksam-Dong
 Kangnam-Ku, Seoul, Korea
 Telephone: (82) 2 567 1281/3
 Telefax: (82) 2 567 1264
 E-mail: yb@alucobond.com.kr

LAOS
ALUCOBOND (FAR EAST) PTE LTD
 No. 12 St.289, Sangkat Boeung Kak 1
 Khan Toul Korik
 Phnom Penh, Cambodia
 Telephone: 965 6303 9750
 Telefax: (85) 6303 9751
 Email: sales@alucobond.com.sg
 www.alucobond.com.sg

LAOS
ALUCOBOND (FAR EAST) PTE LTD
 No. 12 St.289, Sangkat Boeung Kak 1
 Khan Toul Korik
 Phnom Penh, Cambodia
 Telephone: 965 6303 9750
 Telefax: (85) 6303 9751
 Email: sales@alucobond.com.sg
 www.alucobond.com.sg

LAOS
ALUCOBOND (FAR EAST) PTE LTD
 No. 12 St.289, Sangkat Boeung Kak 1
 Khan Toul Korik
 Phnom Penh, Cambodia
 Telephone: 965 6303 9750
 Telefax: (85) 6303 9751
 Email: sales@alucobond.com.sg
 www.alucobond.com.sg

INDONESIA
PT Alucobond Far East Indonesia
 Jl. Jalur Sutera Timur Kav 7A, No.6
 Alam Sutera Tangerang
 Banten 15143
 Indonesia
 Mobile: (62) 8161968643
 E-mail: hendry.halim@3acomposites.com
 www.alucobond.com.id

JAPAN
NIHON SEIZUKI KOGYO CO., LTD
 Parks Tower 29F
 2-10-70 Nambanaka Naniwa-ku
 Osaka 556-0011
 Telephone: (81) 6 6578 0190
 E-mail: support@nisky.com.jp
 www.alucobond.com.sg

KOREA
Y B International Co.
 Suite 503 Handuk Bldg
 649-4 Yuksam-Dong
 Kangnam-Ku, Seoul, Korea
 Telephone: (82) 2 567 1281/3
 Telefax: (82) 2 567 1264
 E-mail: yb@alucobond.com.kr

LAOS
ALUCOBOND (FAR EAST) PTE LTD
 No. 12 St.289, Sangkat Boeung Kak 1
 Khan Toul Korik
 Phnom Penh, Cambodia
 Telephone: 965 6303 9750
 Telefax: (85) 6303 9751
 Email: sales@alucobond.com.sg
 www.alucobond.com.sg

LAOS
ALUCOBOND (FAR EAST) PTE LTD
 No. 12 St.289, Sangkat Boeung Kak 1
 Khan Toul Korik
 Phnom Penh, Cambodia
 Telephone: 965 6303 9750
 Telefax: (85) 6303 9751
 Email: sales@alucobond.com.sg
 www.alucobond.com.sg

LAOS
ALUCOBOND (FAR EAST) PTE LTD
 No. 12 St.289, Sangkat Boeung Kak 1
 Khan Toul Korik
 Phnom Penh, Cambodia
 Telephone: 965 6303 9750
 Telefax: (85) 6303 9751
 Email: sales@alucobond.com.sg
 www.alucobond.com.sg

LAOS
ALUCOBOND (FAR EAST) PTE LTD
 No. 12 St.289, Sangkat Boeung Kak 1
 Khan Toul Korik
 Phnom Penh, Cambodia
 Telephone: 965 6303 9750
 Telefax: (85) 6303 9751
 Email: sales@alucobond.com.sg
 www.alucobond.com.sg

LAOS
ALUCOBOND (FAR EAST) PTE LTD
 No. 12 St.289, Sangkat Boeung Kak 1
 Khan Toul Korik
 Phnom Penh, Cambodia
 Telephone: 965 6303 9750
 Telefax: (85) 6303 9751
 Email: sales@alucobond.com.sg
 www.alucobond.com.sg

LAOS
ALUCOBOND (FAR EAST) PTE LTD
 No. 12 St.289, Sangkat Boeung Kak 1
 Khan Toul Korik
 Phnom Penh, Cambodia
 Telephone: 965 6303 9750
 Telefax: (85) 6303 9751
 Email: sales@alucobond.com.sg
 www.alucobond.com.sg

LAOS
ALUCOBOND (FAR EAST) PTE LTD
 No. 12 St.289, Sangkat Boeung Kak 1
 Khan Toul Korik
 Phnom Penh, Cambodia
 Telephone: 965 6303 9750
 Telefax: (85) 6303 9751
 Email: sales@alucobond.com.sg
 www.alucobond.com.sg

NEW ZEALAND
ALUCOBOND (FAR EAST) PTE LTD
 6 shenton Way
 #40-05, OUE Downtown 1
 Singapore 068809
 Telephone: (65) 6303 9750
 Telefax: (65) 6303 9751
 E-mail: sales@alucobond.com.sg
 www.alucobond.com.sg

PAKISTAN
Pakistan Safety Glass Works Pvt Ltd
 Plot 58, Sector 28
 Korangi Industrial Area
 Karachi 75180, Pakistan
 Telephone: (92) 21 504 2275
 Telefax: (92) 21 504 2276/506 5773
 E-mail: info@pakistansafetyglass.com
 www.alucobond.pk

SINGAPORE
ALUCOBOND (FAR EAST) PTE LTD
 6 shenton Way
 #40-05, OUE Downtown 1
 Singapore 068809
 Telephone: (65) 6303 9750
 Telefax: (65) 6303 9751
 E-mail: sales@alucobond.com.sg
 www.alucobond.com.sg

SRI LANKA
JC Enterprises
 63/7/2 Sinnava Bandaranayake
 Mawatha, Colombo 14
 Sri Lanka
 Telephone: (94) 11 238 5404/07
 Telefax: (94) 11 238 5403
 E-mail: jeykumar@stinet.lk

THAILAND
Gecon (Thailand) Co.,Ltd
 580/25-33 8th Floor,
 Central City Tower 1
 Bangna-Trad Rd., Bangna
 Bangkok 10260
 Thailand
 Telephone: (66) 2745 7181
 Telefax: (66)2745 7188
 E-mail: thanapong@geconthailand.com
 www.alucobond.com.th

VIETNAM
THE CAPITAL INDUSTRIAL TRADING JOINT STOCK COMPANY (THUDOGROUP)
 Lot F, Tan Hong – Hoan Son Industrial Zone,
 Tien Du District,
 Soc Ninh Province,
 Vietnam
 Telephone: (84) 90 410 2200
 E-mail: info@thudogroup.vn
 www.alucobond.com.vn

FAR EAST SUPPORT CENTRE:
ALUCOBOND (FAR EAST) PTE LTD
 6 Shenton Way
 #40-05, OUE Downtown 1
 Singapore 068809
 Telephone: (65) 6303 9750
 Telefax: (65) 6303 9751
 Email: sales@alucobond.com.sg
 www.alucobond.com.sg

MANUFACTURER:
3A COMPOSITES GMBH
 Alusingersletz 1
 78224 Singen/Germany
 Telephone: (49) 7331 941 2347
 Telefax: (49) 7331 941 2345
 Email: info.au@alucobond.com
 www.alucobond.com

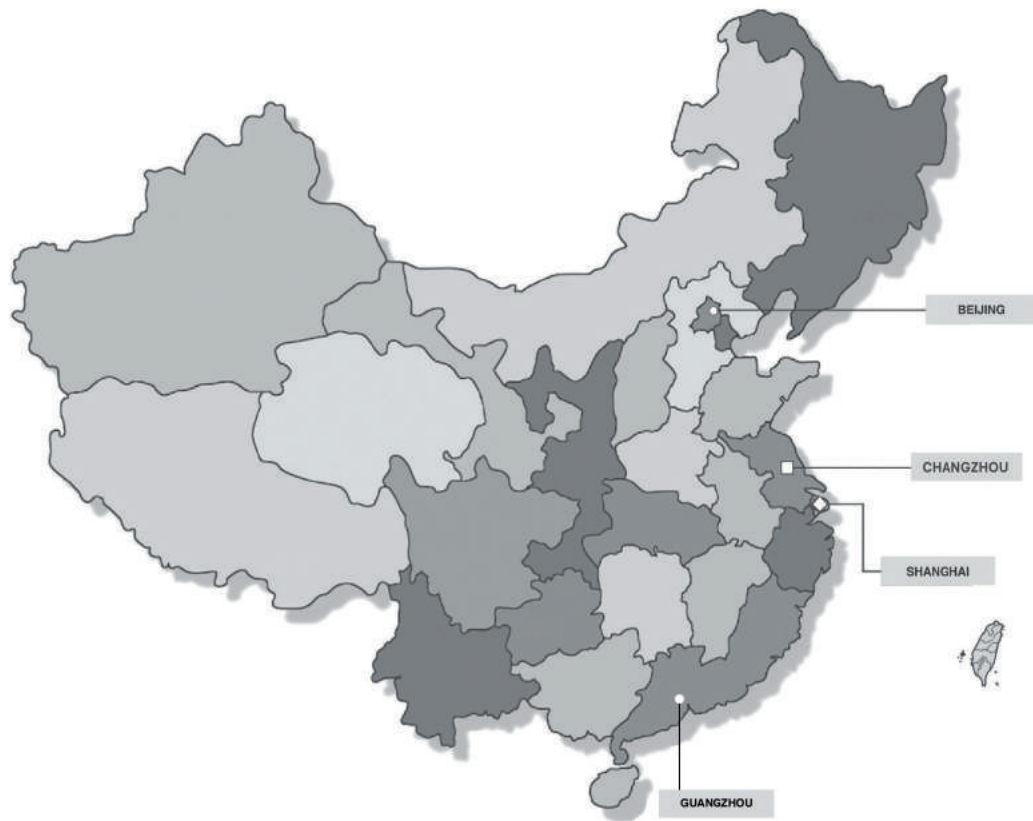
MANUFACTURER
ALUCOBOND COMPOSITES (JIANGSU) LTD.
 10 South Hehuan Road
 Zhonglou, Changzhou 213023 China
 Telephone: 0519 8166 5822
 Telefax: 0519 8168 5799
 Email: alucobond.china@3acomposites.com
 www.alucobond.com.cn

MANUFACTURER
3A COMPOSITES INDIA PVT. LTD.
 Unit 852, 9th Floor,
 Solitaire Corporate Park,
 Andheri-Kurla Road,
 Andheri (East),
 Mumbai - 400 093, India.
 Telephone: (91) 22 4256 4500
 Telefax: (91) 22 4256 4545
 E-mail: info@alucobond.india@3acomposites.com
 Website: www.alucobond.in

- ◆ - Alucobond Far East Support Centre
- - Alucobond Manufacturers
- - Alucobond Distributors/Agents

ALUCOBOND® A2 / PLUS

ALUCORE®



3A COMPOSITES (CHINA) LTD.

1902-1903 Hongkong Prosperity Tower
763 Mengzi Road,
Huangpu, Shanghai, China
Telephone: 021 6315 8550
Fax: 021 6315 8560
Email: alucobond.china@3acomposites.com
www.alucobond.com.cn

思瑞安复合材料(中国)有限公司

上海市
蒙自路763号
丰盛创建大厦
1902-1903室
电话: 021 6315 8550
传真: 021 6315 8560
电邮: alucobond.china@3acomposites.com
www.alucobond.com.cn

ALUCOBOND COMPOSITES (JIANGSU) LTD.

10 South Hehuan Road
Zhonglou, Changzhou 213023, China
Telephone: 0519 8166 5822
Fax: 0519 8166 5799

阿鲁克邦复合材料(中国)有限公司

中国江苏常州钟楼区
合欢南路10号213023
电话: 0519 8166 5822
传真: 0519 8166 5799

SALES OFFICES IN CHINA:

思瑞安复合材料(中国)有限公司 北京办事处
北京市朝阳区何各庄87号院
邮编: 100103
电话: 010 6552 8755
传真: 010 6552 8755

Beijing, 3A Composites (China) Ltd.

No.87 Hegezhuang Chaoyang District Beijing
100103 Beijing.
Telephone: 010 6552 8755
Fax: 010 6552 8755

For more information, please contact us.
如有需求, 敬请联络

- ◆ - Alucobond Head Office
- - Alucobond Plant
- - Alucobond Sales Offices

ALUCOBOND® A2 / PLUS / PE ALUCORE®

3A Composites India Pvt. Ltd.
Bldg. No. 11, Unit No. 1112, 1st Floor,
Solitaire Corporate Park,
Mathuradas Wasanji Marg,
Andheri (East),
Mumbai - 400 093, India.
Tel: +91 22 4256 4500
Fax: +91 22 4256 4545
E-mail Id: alucobond.india@3acomposites.com
Website: www.alucobond.in



ALUCOBOND® A2 / PLUS / PE

ALUCORE® / ALUCORE® clad



MIDDLE EAST SUPPORT CENTRE:
3A COMPOSITES MIDDLE EAST (BRANCH)
 Almas Tower,LT
 PO Box 340 506
 Dubai, U.A.E
 Mobil: (971) 50 5574676
 Email: markus.setz@3acomposites.com
 www.alucobond.com

FAR EAST SUPPORT CENTRE:
ALUCOBOND (FAR EAST) PTE LTD
 6 Shenton Way D40-05
 OUE Downtown 1
 Singapore 068809
 Tel: (65) 6303 9750
 Fax: (65) 6303 9751
 Email: sales@alucobond.com.sg
 www.alucobond.com.sg

MANUFACTURER:
3A COMPOSITES GMBH
 Aluingerplatz 1
 78224 Singen/Germany
 Telephone: (49) 7731 941 2347
 Telefax: (49) 7731 941 2845
 Email: info.ev@alucobond.com
 www.alucobond.com

MANUFACTURER:
3A COMPOSITES (CHINA) LTD.
 Room 1902, 1903
 Feng Sheng Chuang Jian Building
 Mengzi road No. 783
 Huangpu Shanghai
 China
 Telephone: 021 5813 5353
 Fax: 021 5813 5333
 Email: alucobond.china@3acomposites.com
 www.alucobond.com.cn

MANUFACTURER:
3A COMPOSITES INDIA PVT. LTD.
 Unit 852, 5th Floor, Solitaire Corporate
 Park, Andheri (East) Mumbai 400 093
 Telephone: (91) 22 4256 4500
 Fax: (91) 22 4256 4545
 Email: alucobond.india@3acomposites.com
 www.alucobond.in

ALUCOBOND® A2 / plus / PE ALUCORE® / ALUCORE® clad

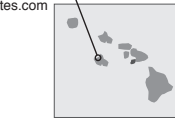


Pete Mir
Mexico and South America
Director Latin America Sales
704-675-2844
Pete.mir@3acomposites.com

Tom Seitz
Director of Strategic Accounts
705-658-3518 (O)
877-331-3173
tom.seitz@3acomposites.com



Please contact us to find your
local representative
www.alucbondamericas.com
1800-626-3365
info.usa@3acomposites.com



Herb Larsen
Southwest & Mountain
Regional Sales Manager
Poway, California
858-382-5166
Herb.larsen@3acomposites.com

Ruth Trudeau
West South Central Regional
Sales Manager
Dallas, TX
972-416-0561 (M)
ruth.trudeau@3acomposites.com

Kevin Jones
South Atlantic Regional Sales Manager
Kennesaw, GA
404-791-3123 (M)
kevin.jones@3acomposites.com

John Tarr II
Gulf State & Caribbean Regional Sales Manager
941-276-0221
John.tarr@3acomposites.com

Mike Herbst
North Central Regional Independent
Sales Representative
EBP, LLC
Excelsior, MN
952-380-0730 (O)
mherbst@ebpmn.com|Jim@JHCSales.com

Tom Seitz
Director of Strategic Accounts
705-658-3518 (O)
877-331-3173
tom.seitz@3acomposites.com

Jim Crane
Northeast Regional Independent
JHC Sales Corporation
Tivoli, NY
845-757-3300 (O)
Jim@JHCSales.com

Les Traeger
New England Regional Sales Manager
401-834-2018
Les.traeger@3acomposites.com

Stephen Siciliano
Mid-Atlantic Regional Sales Manager
Madison, NJ
973-377-4910 (O)
908-406-0538 (M)
stephen.siciliano@3acomposites.com

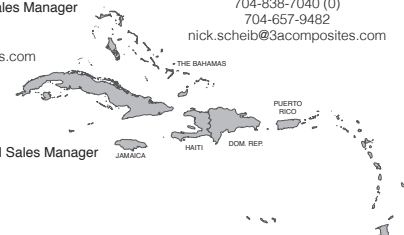
Jason Beaupre
Mid-Central Regional Sales
Geneva, IL
630-402-0143 (O)
jason.beaupre@3acomposites.com

Manufacturing, Technical Service & Customer Relations

3A Composites USA, Inc
208 W. 5th Street
Benton KY 42025
800-626-3365
270-527-4200
270-527-1552 FAX

Davidson, NC - Headquarters

Nick Scheib
VP of Architectural Sales
704-838-7040 (O)
704-657-9482
nick.scheib@3acomposites.com





January 2019



Week 1

Lodha World Crest | Mumbai | India

Mon

Tue

Wed

Thu

Fri

Sat

Sun

1

2

3

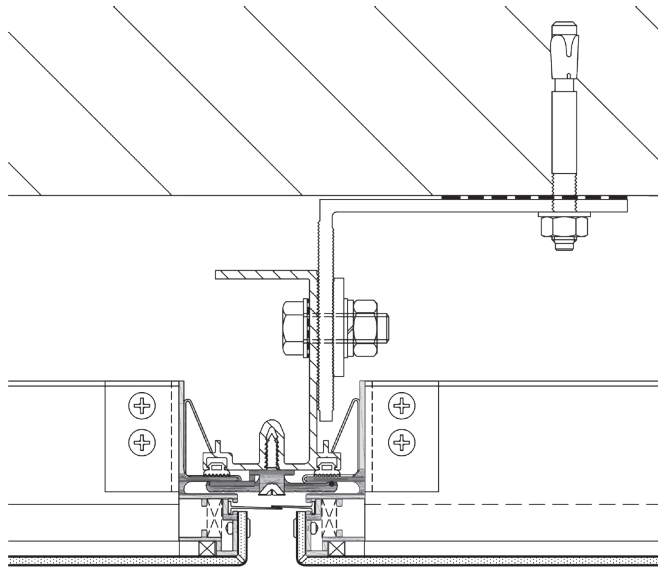
4

5

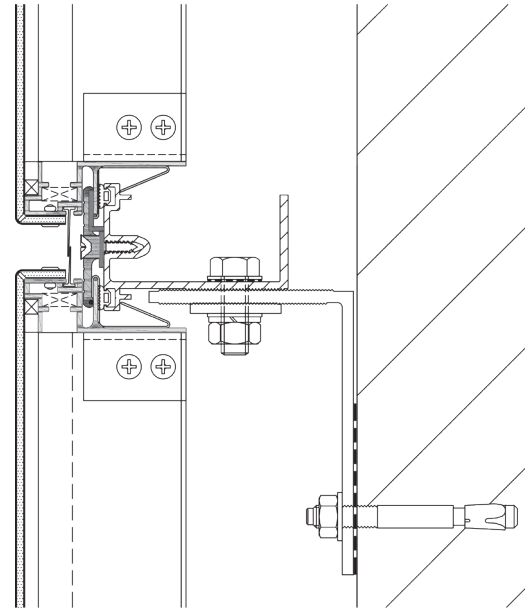
6

ALUCOBOND®

Design | Construction ALUCOBOND® Tray Panels System - Special Design



HORIZONTAL SECTION



VERTICAL SECTION

All drawings are for illustration only. For design details suitable for your location contact our technical service or an ALUCOBOND® representative nearest to you.

Lodha World Crest
Mumbai | India

Building Owner : Lodha Group
Architect : Pei Cobb Freed & Partners
Completed : 2018
Fabricator | Installer : Alumayer India Pvt. Ltd.
Product : ALUCOBOND® PLUS 4mm
Surface Finish : PVDF / FEVE coil-coated
Standard Colour : Dark grey metallic (9822), Light grey metallic (9823)
Photos : © Amit Suman





January 2019



Week 2

Yea High School | Victoria | Australia

Mon

Tue

Wed

Thu

Fri

Sat

Sun

7

8

9

10

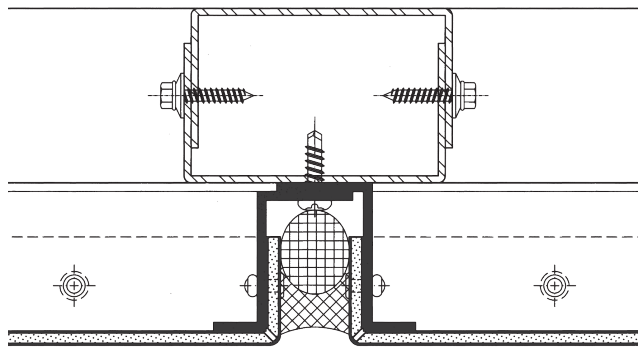
11

12

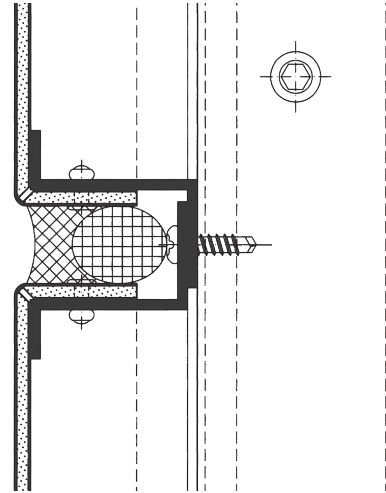
13

ALUCOBOND®

Design | Construction
ALUCOBOND® Tray Panels
System - Sealed Joint



HORIZONTAL SECTION



VERTICAL SECTION

All drawings are for illustration only. For design details suitable for your location contact our technical service or an ALUCOBOND® representative nearest to you.

Yea High School
Victoria | Australia

Building Owner : Australia Government
Architect : Pro-Ark Architects Pty Ltd
Completed : 2018
Fabricator | Installer : Cladit
Product : ALUCOBOND® PLUS 4mm
Surface Finish : PVDF / FEVE coil-coated
Standard Colour : Spectra Cupral (913)





January 2019



Week 3

Energy Hotel Stavanger | Stavanger | Norway

Mon
14

Tue
15

Wed
16

Thu
17

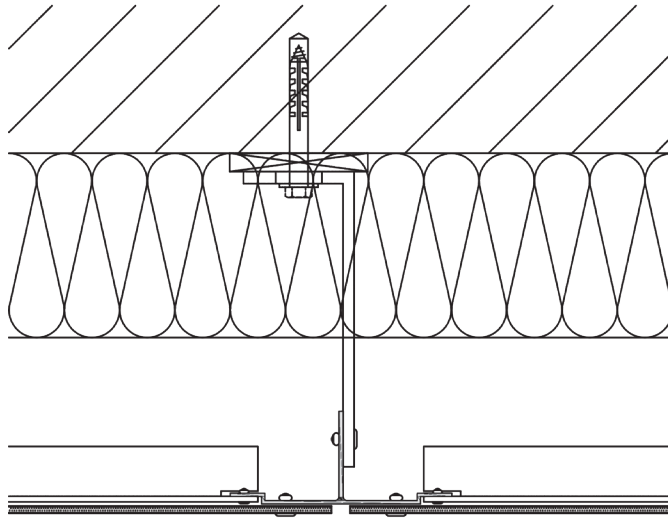
Fri
18

Sat
19

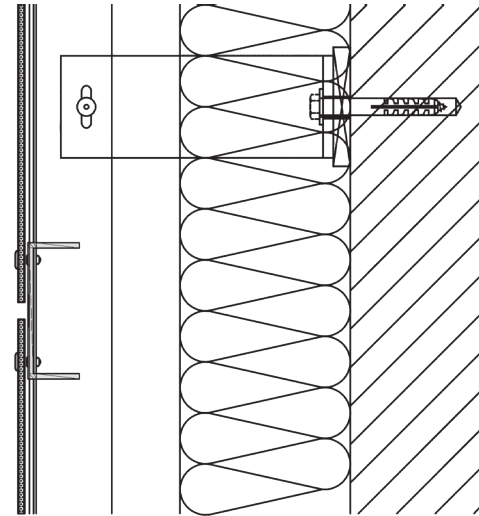
Sun
20

ALUCOBOND®

Design | Construction
ALUCOBOND® Edoclad
System - Riveted



HORIZONTAL SECTION



VERTICAL SECTION

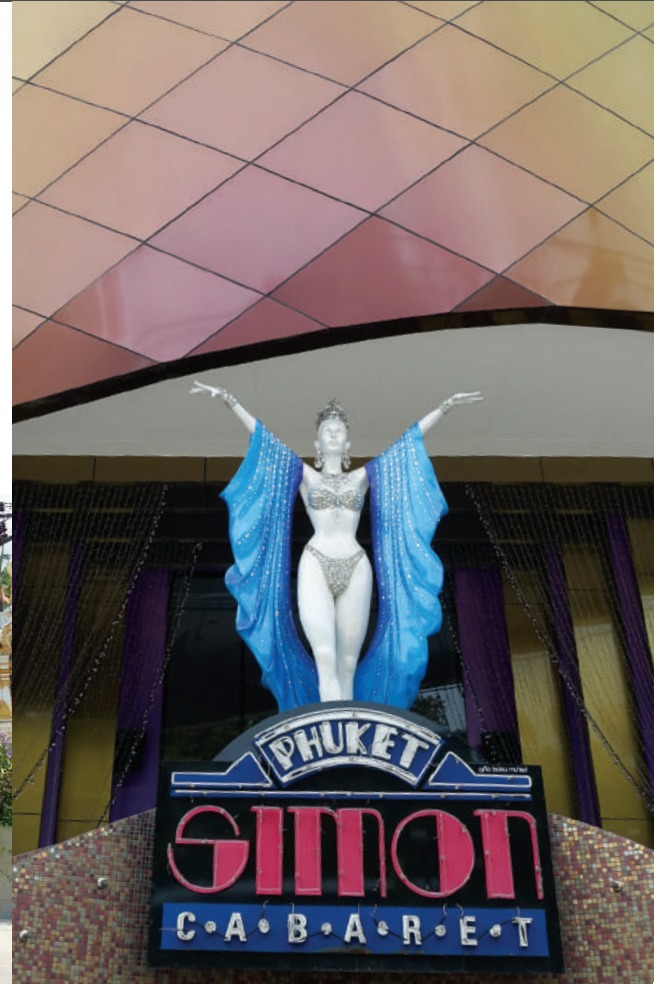
All drawings are for illustration only. For design details suitable for your location contact our technical service or an ALUCOBOND® representative nearest to you.

Energy Hotel Stavanger Stavanger | Norway

Building Owner	: Nordic Choice Hotels
Architect	: Snohetta A/S
Completed	: 2014
Fabricator Installer	: Signpartner
Product	: ALUCOBOND® PLUS 4mm
Surface Finish	: PVDF / FEVE coil-coated
Standard Colour	: naturAL Brushed (400), Anodized Look C0/EV1 (C01), naturAL Reflect (405)
Photos	: © Sindre Ellingsen



January 2019



Week 4

Phuket Simon Cabaret | Phuket | Thailand

Mon
21

Tue
22

Wed
23

Thu
24

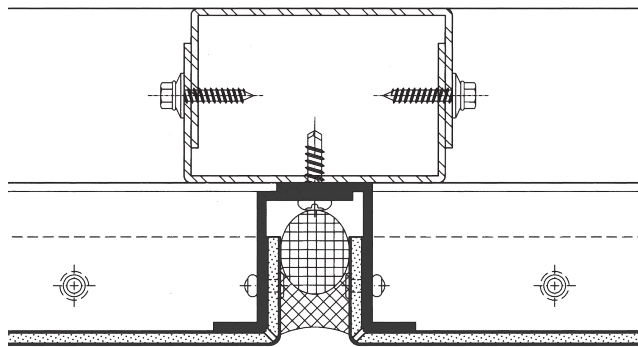
Fri
25

Sat
26

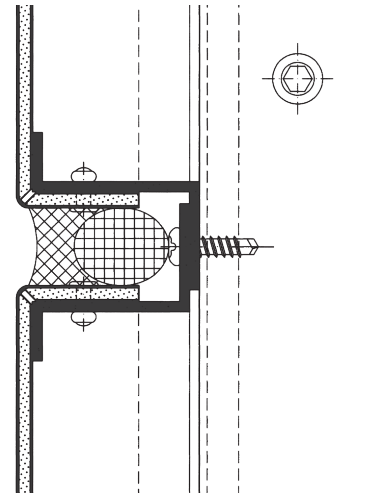
Sun
27

ALUCOBOND®

Design | Construction
ALUCOBOND® Tray Panel
System - Sealed Joint



HORIZONTAL SECTION



VERTICAL SECTION

All drawings are for illustration only. For design details suitable for your location contact our technical service or an ALUCOBOND® representative nearest to you.

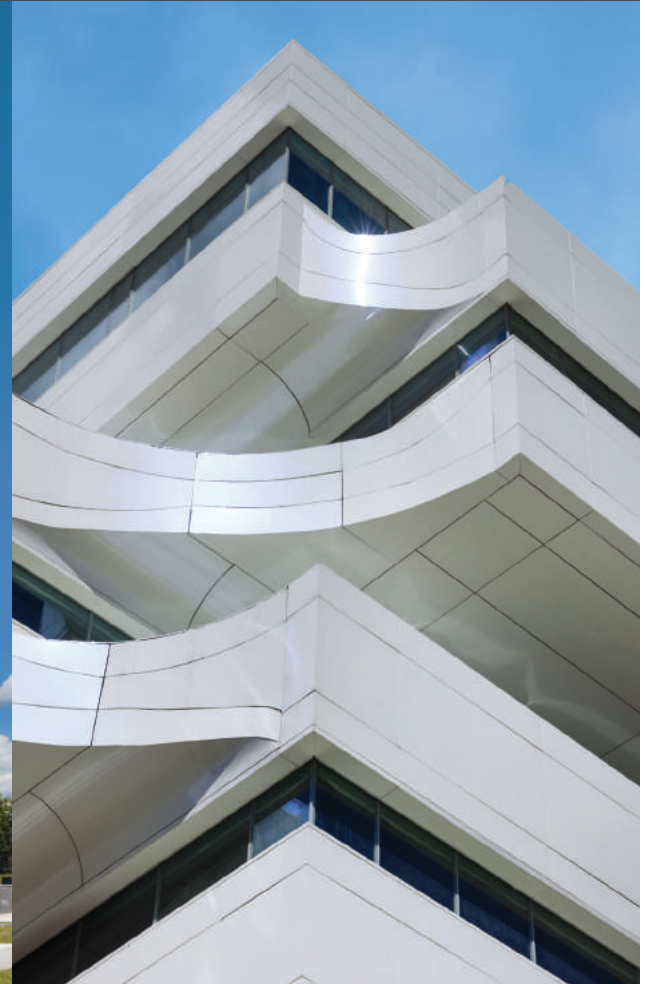
Phuket Simon Cabaret
Phuket | Thailand

Building Owner : Phuket Simon Cabaret Co. Ltd.
Architect : Plan Studio Co. Ltd.
Completed : 2015
Fabricator | Installer : Phraram2 Civil Engineering Co. Ltd.
Product : ALUCOBOND® PLUS 4mm
Surface Finish : PVDF / FEVE coil-coated
Standard Colour : Spectra Sakura (917), Spectra Red brass (912),
Spectra Antique (911)
Photos : Atirut Wongputtipong





January / February 2019



Week 5

Dominion Tower | Moscow | Russia

Mon
28

Tue
29

Wed
30

Thu
31

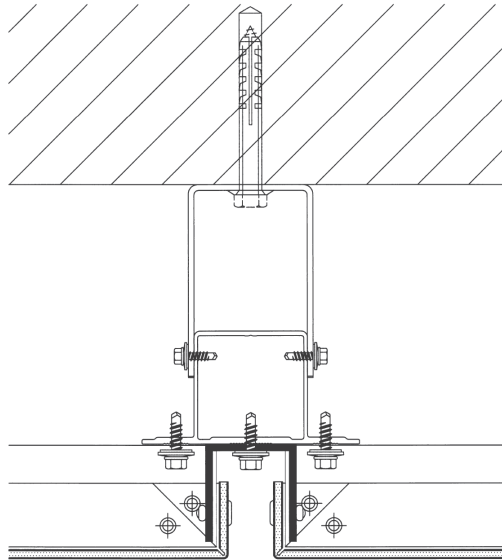
Fri
1

Sat
2

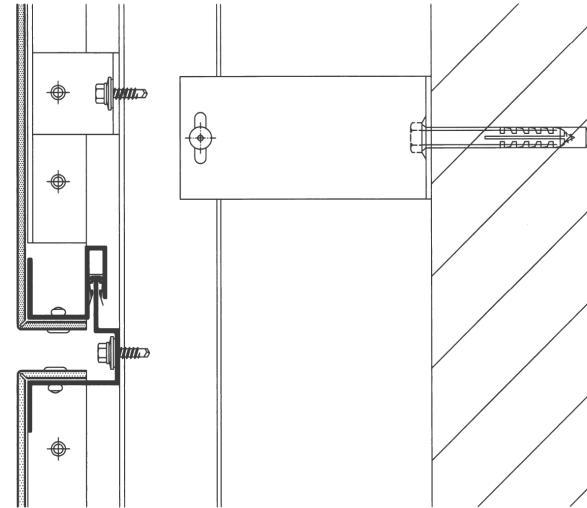
Sun
3

ALUCOBOND®

Design | Construction
ALUCOBOND® SZ 20 TRAY
Panel System - Open Joint



HORIZONTAL SECTION



VERTICAL SECTION

All drawings are for illustration only. For design details suitable for your location contact our technical service or an ALUCOBOND® representative nearest to you.

Dominion Tower
Moscow | Russia

Building Owner : ZPIF Nedvizhimosti
Architect : Zaha Hadid Architects, Local Architect: AB Elis
Completed : 2016
Fabricator | Installer : StroyBit
Product : ALUCOBOND® A2 4mm
Surface Finish : PVDF / FEVE coil-coated
Standard Colour : Spectra Custom Colour
Photos : Daniel Sumesgutner





February 2019



Week 6

LG Science Park | Seoul | South Korea

Mon

Tue

Wed

Thu

Fri

Sat

Sun

4

5

6

7

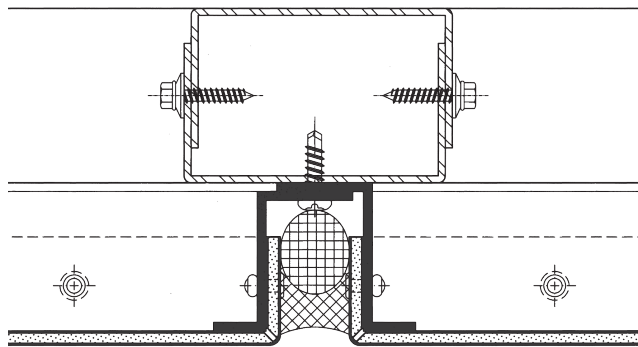
8

9

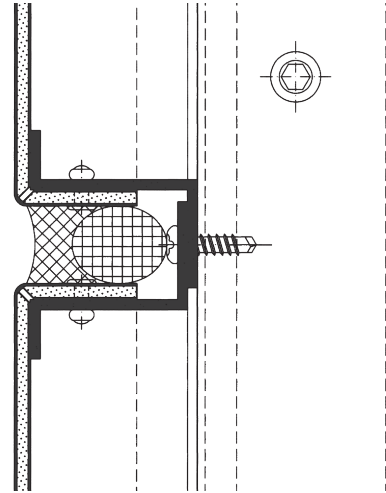
10

ALUCOBOND®

Design | Construction
ALUCOBOND® Tray Panel
System - Sealed Joint



HORIZONTAL SECTION



VERTICAL SECTION

All drawings are for illustration only. For design details suitable for your location contact our technical service or an ALUCOBOND® representative nearest to you.

LG Science Park
Seoul | South Korea

Building Owner : LG Group
Architect : GanSam Architect
Completed : 2017
Fabricator | Installer : LG Housys, DaeLim Industry
Product : ALUCOBOND® PLUS 4mm
Surface Finish : PVDF / FEVE coil-coated
Standard Colour : naturAL Copper (434)
Photos : Studio MP





February 2019



Week 7

District Secretariat | Colombo | Sri Lanka

Mon
11

Tue
12

Wed
13

Thu
14

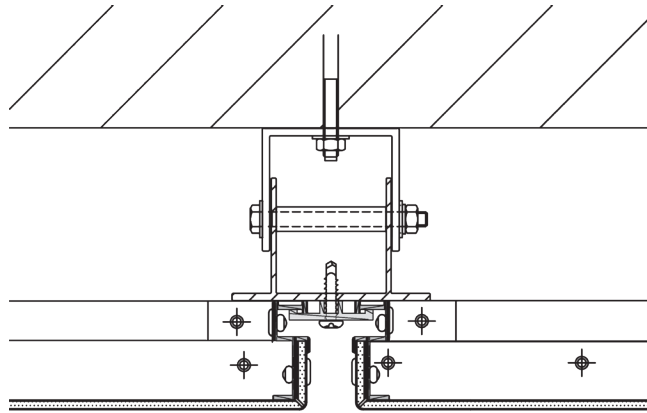
Fri
15

Sat
16

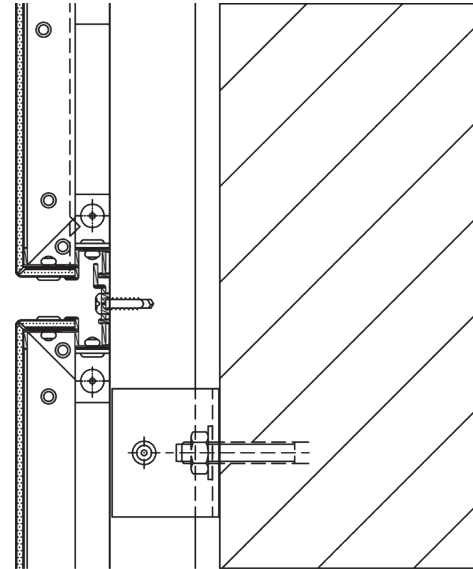
Sun
17

ALUCOBOND®

Design | Construction
ALUCOBOND® Tray Panel
Screw Fixed - Open Joint



HORIZONTAL SECTION



VERTICAL SECTION

All drawings are for illustration only. For design details suitable for your location contact our technical service or an ALUCOBOND® representative nearest to you.

District Secretariat
Colombo I Sri Lanka

Building Owner : District Secretariat - Colombo
Architect : Central Engineering Consultancy Bureau
Completed : 2018
Fabricator | Installer : J C Enterprises
Product : ALUCOBOND® PLUS 4mm
Surface Finish : PVDF / FEVE coil-coated
Standard Colour : Dark grey metallic (505), Grey metallic (502),
Sunrise silver metallic (9667), Seafoam green
metallic (604)



February 2019



Week 8

Treasure Island Resort & Casino | Minnesota | USA

Mon
18

Tue
19

Wed
20

Thu
21

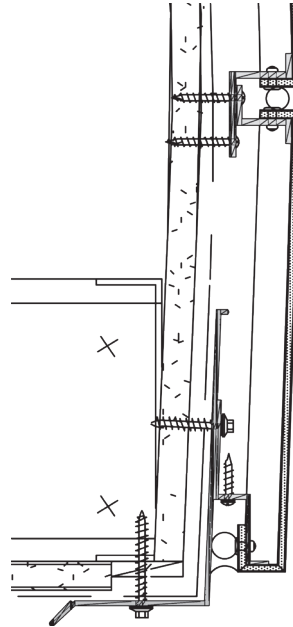
Fri
22

Sat
23

Sun
24

ALUCOBOND®

Design | Construction ALUCOBOND® Tray Panel System - Sealed Joint



JOINT SECTION

All drawings are for illustration only. For design details suitable for your location contact our technical service or an ALUCOBOND® representative nearest to you.

Treasure Island Resort & Casino Minnesota | USA

Building Owner	: Prairie Island Indian Community
Architect	: RSP Architects
Completed	: 2017
Fabricator Installer	: Atomic Sheet Metal
Product	: ALUCOBOND® PLUS 4mm
Surface Finish	: PVDF / FEVE coil-coated
Standard Colour	: Bone White (SRI 89), Anodic Clear, Statuary Bronze (SRI 8), Alabaster (SRI 87)
Custom Colour	: Magenta, Nightfall, Cheerful Yellow
Photos	: Mark Kempf Photography





February / March 2019



Week 9

Equatorial Plaza | Kuala Lumpur | Malaysia

Mon
25

Tue
26

Wed
27

Thu
28

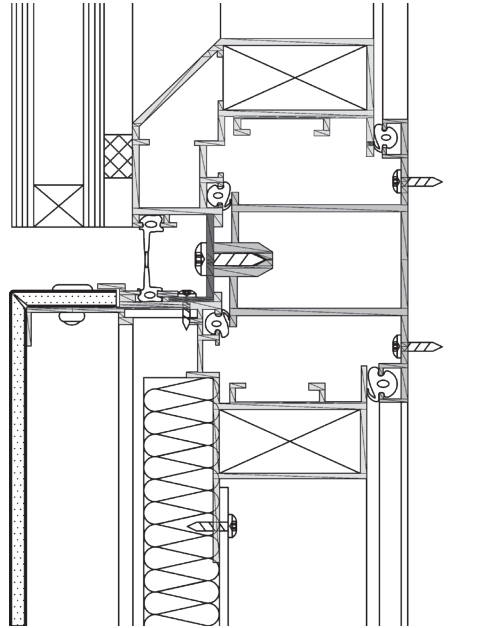
Fri
1

Sat
2

Sun
3

ALUCOBOND®

Design | Construction
ALUCOBOND® Unitised
Tray Panel System



JOINT SECTION

All drawings are for illustration only. For design details suitable for your location contact our technical service or an ALUCOBOND® representative nearest to you

Equatorial Plaza
Kuala Lumpur | Malaysia

Building Owner	: Hotel Equatorial (M) Sdn Bhd
Architect	: GDP Architects Sdn Bhd
Completed	: 2018
Fabricator Installer	: Archi Casaka Design Sdn Bhd
Product	: ALUCOBOND® PLUS 4mm
Surface Finish	: PVDF / FEVE coil-coated
Standard Colour	: Anthrazit grey (105), Sunrise silver metallic (600)



March 2019



Week 10

Purple Rain | Vienna | Austria

Mon

Tue

Wed

Thu

Fri

Sat

Sun

4

5

6

7

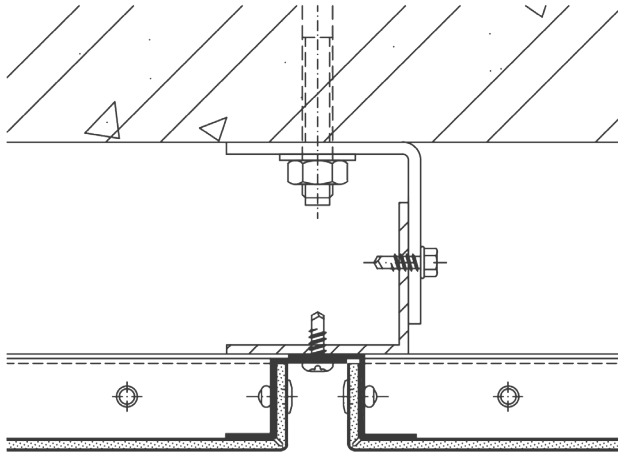
8

9

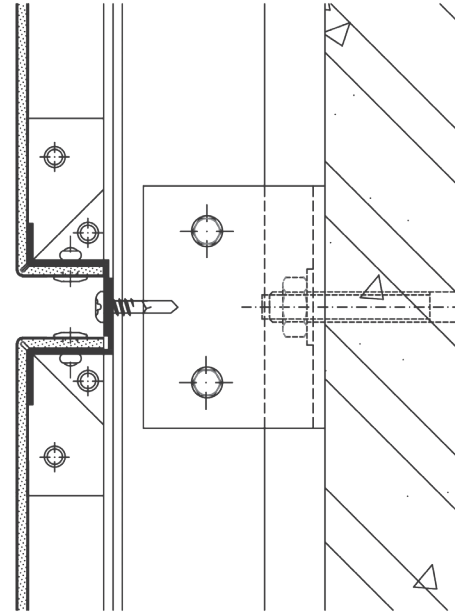
10

ALUCOBOND®

Design | Construction
ALUCOBOND® Tray Panels
Screw Fixed - Open Joint



HORIZONTAL SECTION



VERTICAL SECTION

All drawings are for illustration only. For design details suitable for your location contact our technical service or an ALUCOBOND® representative nearest to you.

Purple Rain
Vienna | Austria

Building Owner : Private Residential
Architect : ad2 architekten
Completed : 2016
Fabricator | Installer : Metallbau Renner
Product : ALUCOBOND® PLUS 4mm
Surface Finish : PVDF / FEVE coil-coated
Standard Colour : Spectra Lava Red (922)
Photos : Herta Hurnaus



March 2019



Week 11

Town Hall Engen | Engen | Germany

Mon
11

Tue
12

Wed
13

Thu
14

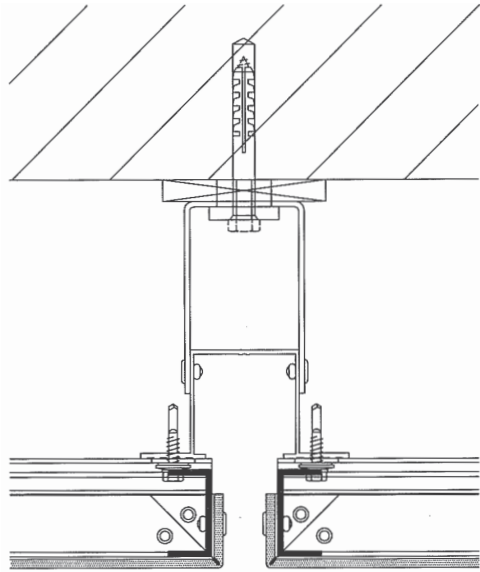
Fri
15

Sat
16

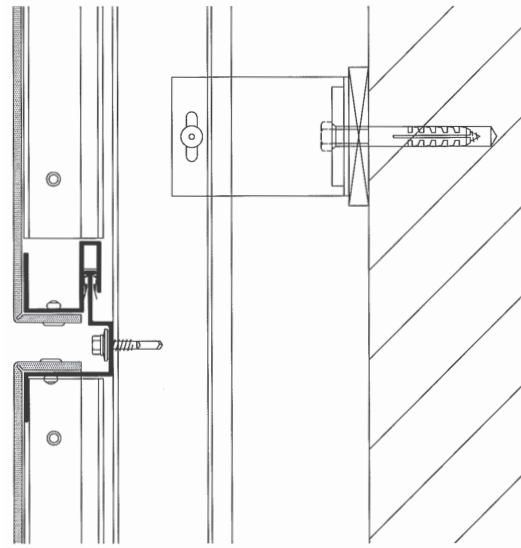
Sun
17

ALUCOBOND®

Design I Construction
ALUCOBOND® SZ 20 Tray
Panel System - Open Joint



HORIZONTAL SECTION



VERTICAL SECTION

All drawings are for illustration only. For design details suitable for your location contact our technical service or an ALUCOBOND® representative nearest to you.

Town Hall Engen
Engen | Germany

Building Owner : City of Engen
Architect : Stadtbauamt Engen
Completed : 2014
Fabricator | Installer : Aluform GmbH
Product : ALUCOBOND® PLUS 4mm
Surface Finish : PVDF / FEVE coil-coated
Standard Colour : Spectra Cupral (913)
Photos : © Wolfram Otlinghaus



March 2019



Week 12

Public Housing | Berlin | Germany

Mon
18

Tue
19

Wed
20

Thu
21

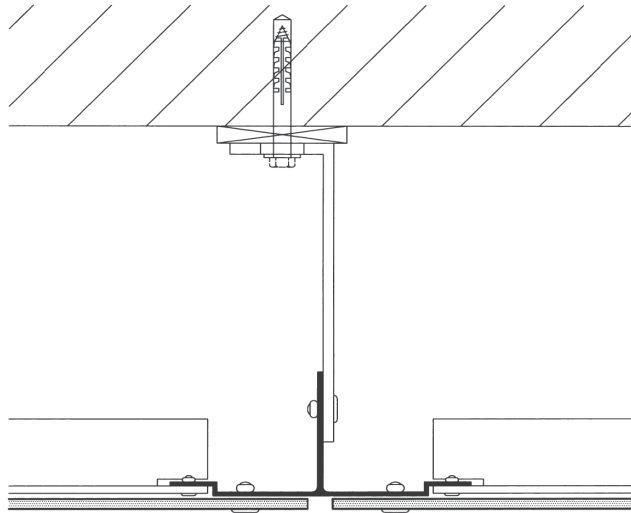
Fri
22

Sat
23

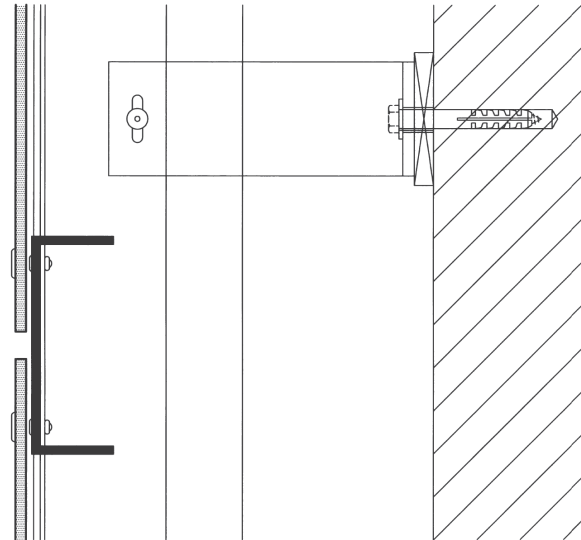
Sun
24

ALUCOBOND®

Design | Construction
ALUCOBOND® Ecoclad
System - Riveted



HORIZONTAL SECTION



VERTICAL SECTION

All drawings are for illustration only. For design details suitable for your location contact our technical service or an ALUCOBOND® representative nearest to you.

Public Housing
Berlin | Germany

Building Owner : Deutsche Wohnen Wohnbaugesellschaft
Architect : Blumers Architekten Generalplanung und
Baumanagement GmbH
Completed : 2017
Fabricator | Installer : Henke AG
Product : ALUCOBOND® A2 4mm
Surface Finish : PVDF / FEVE coil-coated
Standard Colour : Metallic colours
Photos : © Blumers Architekten





March 2019



Week 13

VanDusen Botanical Garden Visitor Centre | Vancouver | Canada

Mon
25

Tue
26

Wed
27

Thu
28

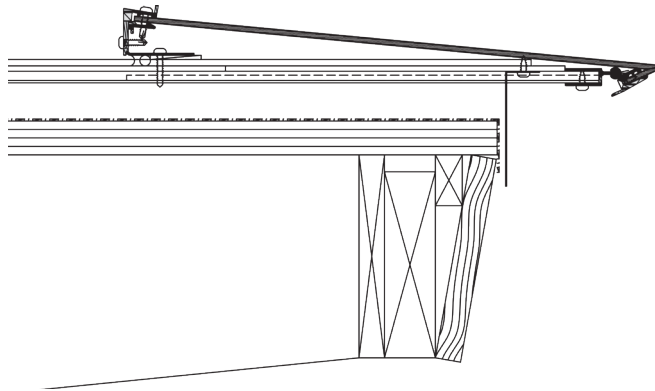
Fri
29

Sat
30

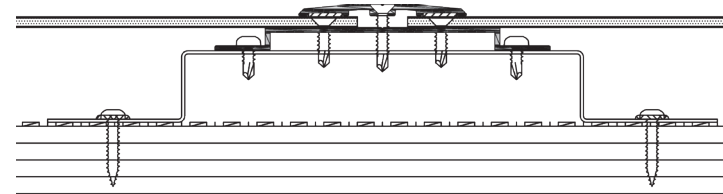
Sun
31

ALUCOBOND®

Design | Construction
ALUCOBOND® Tray Panels
System - Special Construction



HORIZONTAL SECTION



VERTICAL SECTION

All drawings are for illustration only. For design details suitable for your location contact our technical service or an ALUCOBOND® representative nearest to you.

**VanDusen Botanical Garden
Visitor Centre**
Vancouver | Canada

Building Owner : City of Vancouver
Architect : Perkins+Will Canada Architects Co
Completed : 2011
Fabricator | Installer : Keith Panel Systems Co Ltd.
Product : ALUCOBOND® 4mm
Surface Finish : PVDF / FEVE coil-coated
Standard Colour : Durabrite C clear
Photos : Keith Panel Systems Co Ltd. & Photomedia Canada





April 2019



Week 14

Hyundai Car Dealership | Czech Republic

Mon

Tue

Wed

Thu

Fri

Sat

Sun

1

2

3

4

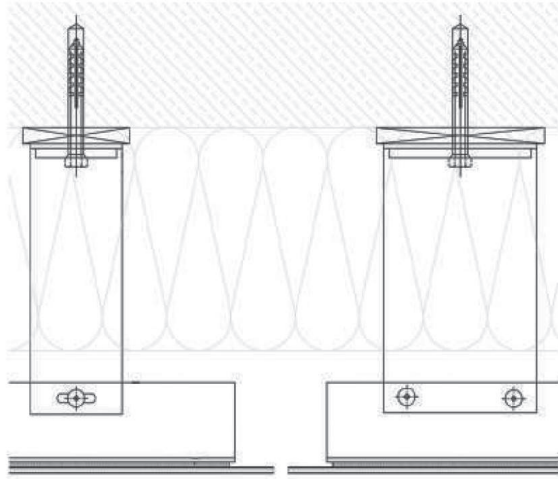
5

6

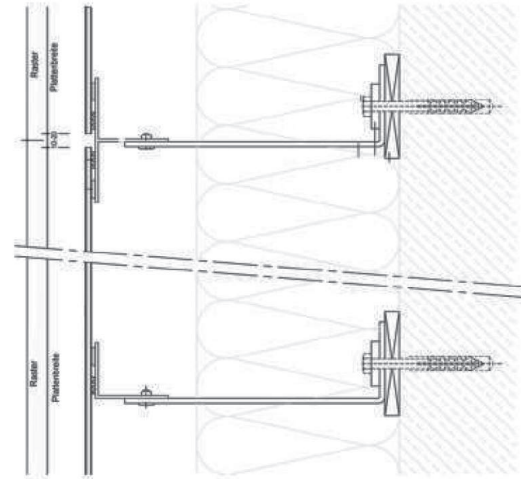
7

ALUCOBOND®

Design | Construction
ALUCOBOND® Flat Panels
System - Mounted with VHB Tape



HORIZONTAL SECTION



VERTICAL SECTION

All drawings are for illustration only. For design details suitable for your location contact our technical service or an ALUCOBOND® representative nearest to you.

Hyundai Car Dealership
Czech Republic

Building Owner : Hyundai Motor Zlin a.s.
Architect : David Zbranek, WIXPAD s.r.o.
Completed : 2015
Fabricator | Installer : Montage 24 s.r.o.
Product : ALUCOBOND® 4mm
Surface Finish : PVDF / FEVE coil-coated
Standard Colour : Bronze metallic (504)
Photos : © cfa design s.r.o., Ivan Nemeč



April 2019



Week 15

Sabah Chief Minister Office | Sabah | Malaysia

Mon
8

Tue
9

Wed
10

Thu
11

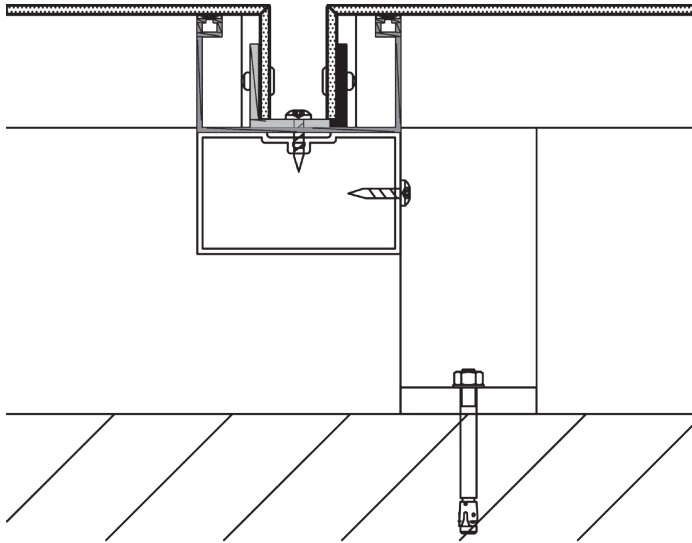
Fri
12

Sat
13

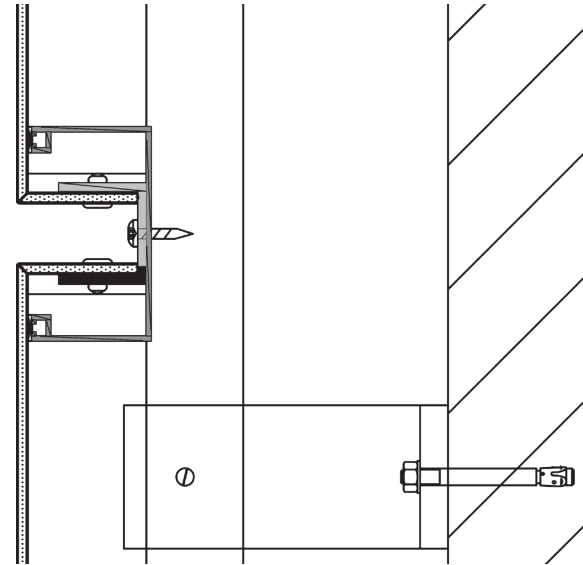
Sun
14

ALUCOBOND®

Design | Construction
ALUCOBOND® Tray Panels
Screw Fixed - Open Joint



HORIZONTAL SECTION



VERTICAL SECTION

All drawings are for illustration only. For design details suitable for your location contact our technical service or an ALUCOBOND® representative nearest to you.

Sabah Chief Minister Office
Sabah | Malaysia

Building Owner : Kerajaan Negeri Sabah
Architect : M. Kiandee Architect Sdn Bhd
Completed : 2017
Fabricator | Installer : Hua Syn Glass & Aluminium Contractor Sdn Bhd/
Wahon Glass & Aluminium Sdn Bhd
Product : ALUCOBOND® PLUS 4mm
Surface Finish : PVDF / FEVE coil-coated
Standard Colour : Bronze metallic (504), Olivbraun (9770), Braunbeige
(9769), Bronze beige (4022), Elfenbien (4023)
Photos : John Ong



April 2019



Week 16

Nassau Veterans Memorial | New York | USA

Mon
15

Tue
16

Wed
17

Thu
18

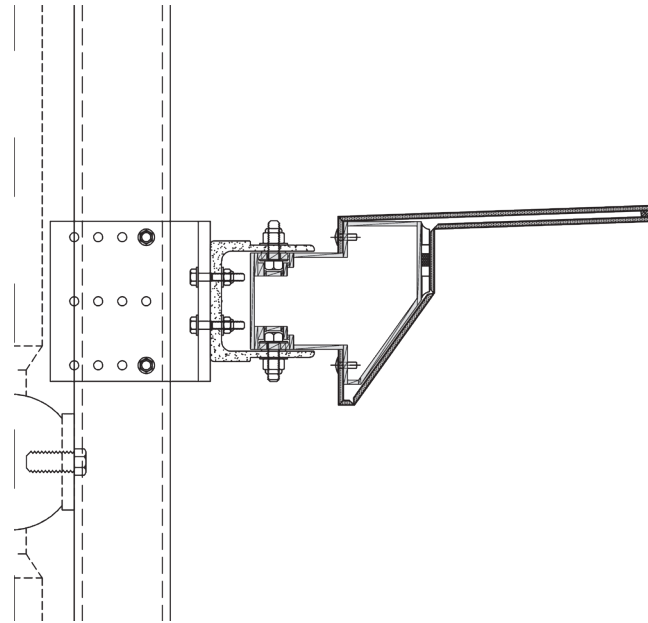
Fri
19

Sat
20

Sun
21

ALUCOBOND®

Design | Construction
ALUCOBOND® Tray Panels
System - Special Construction



JOINT SECTION

All drawings are for illustration only. For design details suitable for your location contact our technical service or an ALUCOBOND® representative nearest to you.

Nassau Veterans Memorial
New York | USA

Building Owner	: Nassau Events Center LLC
Architect	: SHoP Architects
Completed	: 2017
Fabricator Installer	: Sobotec Ltd., Crown Corr
Product	: ALUCOBOND® PLUS 4mm
Surface Finish	: PVDF / FEVE coil-coated
Standard Colour	: naturAL Brushed (400)
Photos	: Jamey Price Photography





April 2019



Week 17

Carre Rouge Centre | Zahle | Lebanon

Mon
22

Tue
23

Wed
24

Thu
25

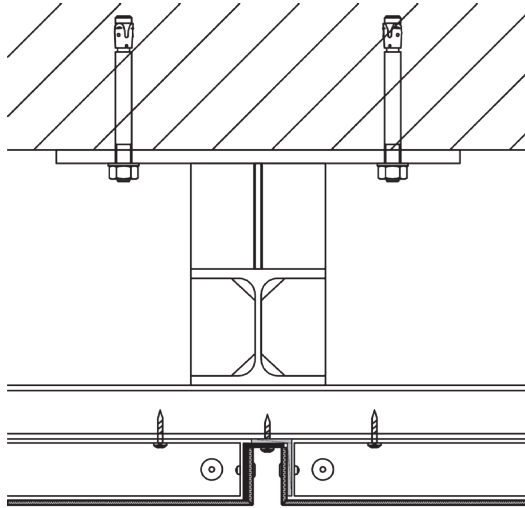
Fri
26

Sat
27

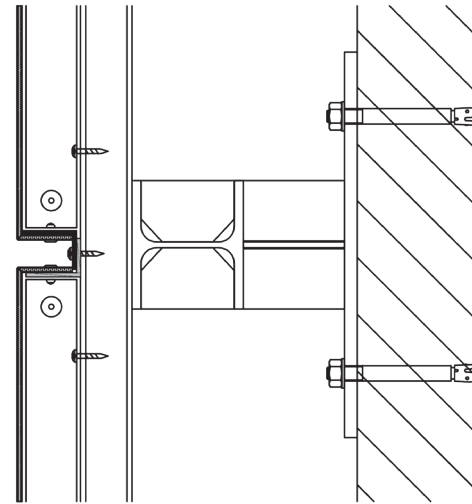
Sun
28

ALUCOBOND®

Design | Construction ALUCOBOND® Tray Panel System Open Joint - Perforated



HORIZONTAL SECTION



VERTICAL SECTION

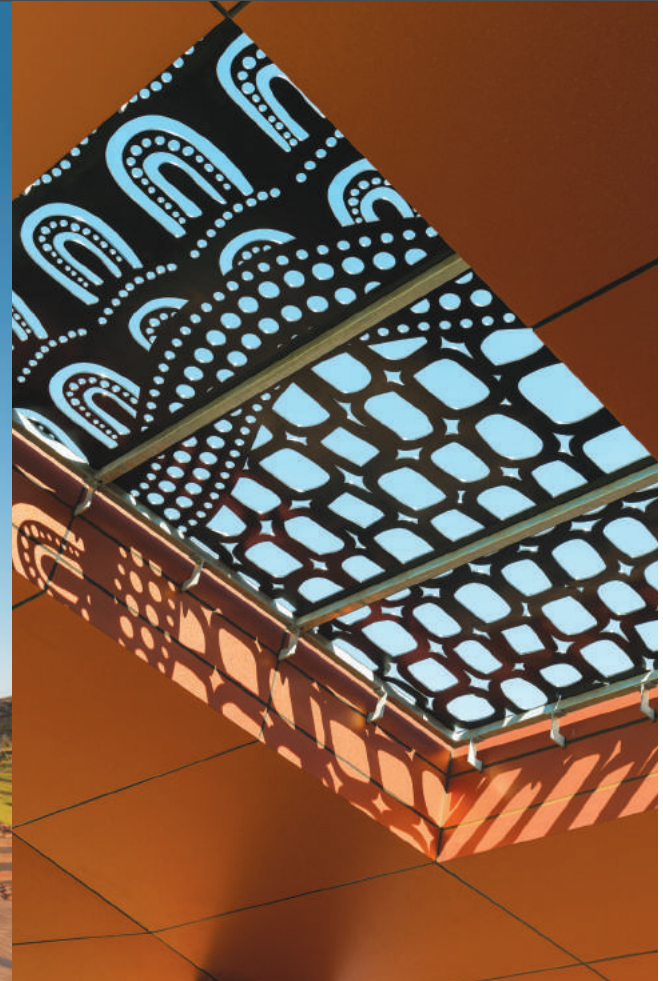
All drawings are for illustration only. For design details suitable for your location contact our technical service or an ALUCOBOND® representative nearest to you.

Carre Rouge Centre Zahle | Lebanon

Building Owner	: Maroun Makhoul
Architect	: Quatrofolio Architects -Viviane Saade & Haytham Samar
Completed	: 2017
Fabricator Installer	: Anid Construction
Product	: ALUCOBOND® PLUS 4mm
Surface Finish	: PVDF / FEVE coil-coated
Standard Colour	: naturAL Brushed (400), Red (8201), Black (326), Silver metallic (500)
Photos	: Wael Khoury



April / May 2019



Week 18

Karratha Arts & Community Centre Precinct | Karratha | Australia

Mon
29

Tue
30

Wed
1

Thu
2

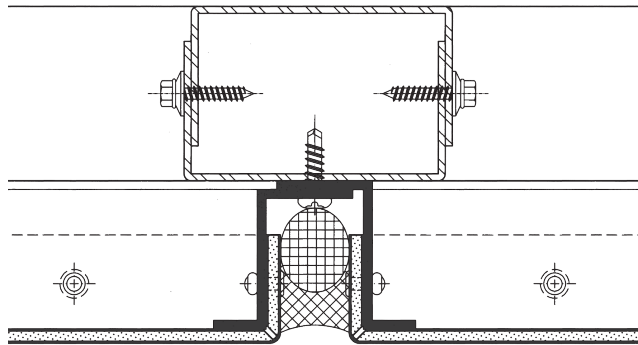
Fri
3

Sat
4

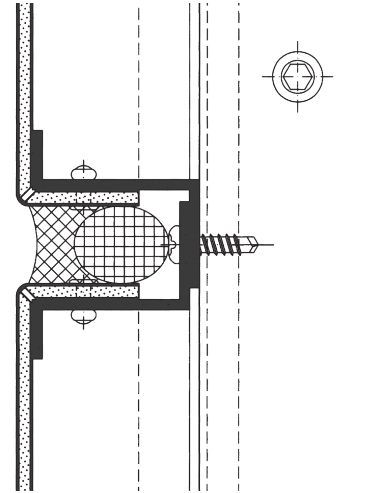
Sun
5

ALUCOBOND®

Design | Construction
ALUCOBOND® Tray Panel
System - Sealed Joint



HORIZONTAL SECTION



VERTICAL SECTION

All drawings are for illustration only. For design details suitable for your location contact our technical service or an ALUCOBOND® representative nearest to you.

**Karratha Arts & Community
Centre Precinct**
Karratha | Australia

Building Owner : City of Karratha
Architect : Peter Hunt Architects
Completed : 2018
Fabricator | Installer : DenMac
Product : ALUCOBOND® PLUS 4mm
Surface Finish : PVDF / FEVE coil-coated
Standard Colour : Terracotta (384), Terra Lava Nera (382),
Silver metallic (500)





May 2019



Week 19

Chevaleret France | Paris | France

Mon
6

Tue
7

Wed
8

Thu
9

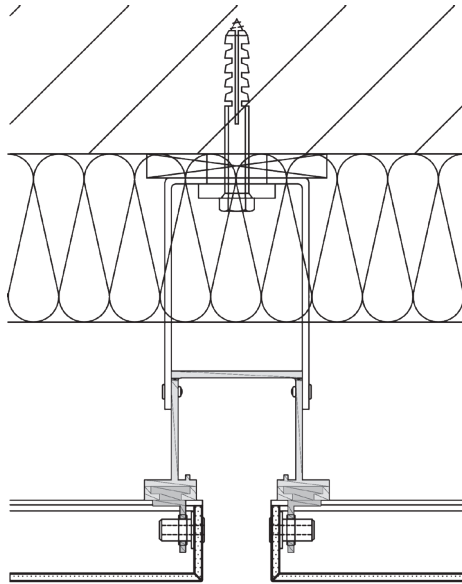
Fri
10

Sat
11

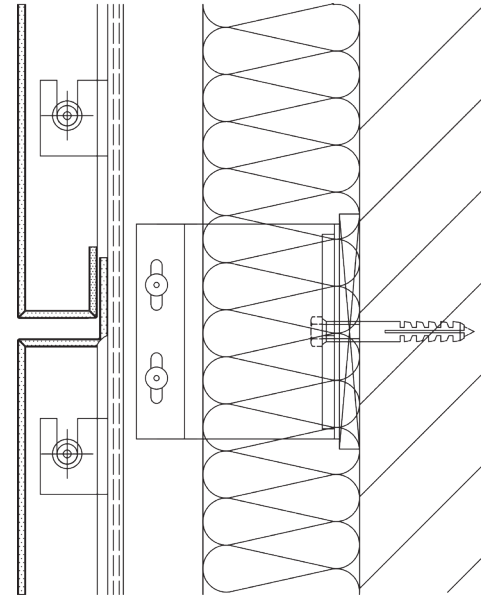
Sun
12

ALUCOBOND®

Design | Construction
ALUCOBOND® Tray Panel
System - Special Design



HORIZONTAL SECTION



VERTICAL SECTION

All drawings are for illustration only. For design details suitable for your location contact our technical service or an ALUCOBOND® representative nearest to you.

Chevaleret France
Paris | France

Building Owner : OPPCI
Architect : Archigroup Paris
Completed : 2016
Fabricator | Installer : Eiffage / Goyer / Tim Composites
Product : ALUCOBOND® 4mm
Surface Finish : PVDF / FEVE coil-coated
Standard Colour : Grey metallic (502)
Photos : Milène Servelle



May 2019



Week 20

Hilton Hotel | Colombo | Sri Lanka

Mon
13

Tue
14

Wed
15

Thu
16

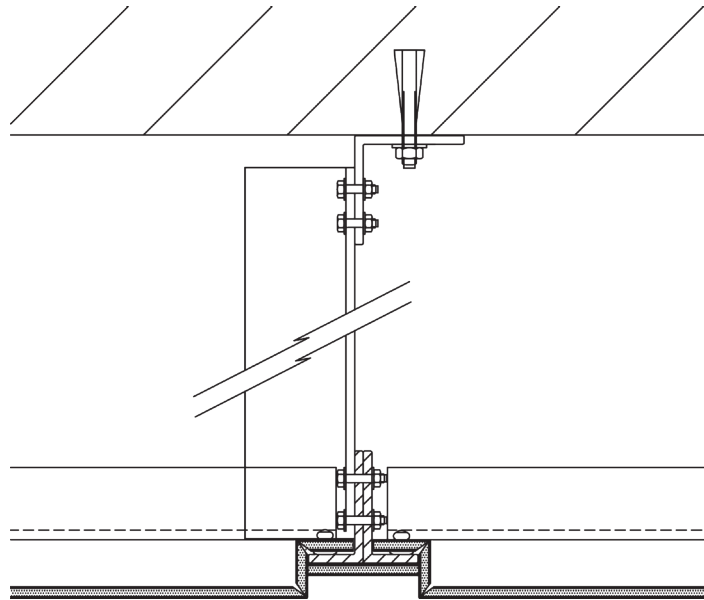
Fri
17

Sat
18

Sun
19

ALUCOBOND®

Design | Construction
ALUCOBOND® Tray Panel
Sealing System - Perforated



JOINT SECTION

All drawings are for illustration only. For design details suitable for your location contact our technical service or an ALUCOBOND® representative nearest to you.

Hilton Hotel
Colombo | Sri Lanka

Building Owner : Hilton Hotel Colombo, Hotel Developers (Lanka) Plc
Architect : Surath Wickramasinghe Associates
Completed : 2017
Fabricator | Installer : J C Enterprises
Product : ALUCOBOND® 4mm
Surface Finish : PVDF / FEVE coil-coated
Standard Colour : Spectra Sakura (917), Urban Iron oxide red (364),
naturAL Brushed (400), White 16 (101)





May 2019



Week 21

Australia Lighthouse Apartments | Victoria | Australia

Mon
20

Tue
21

Wed
22

Thu
23

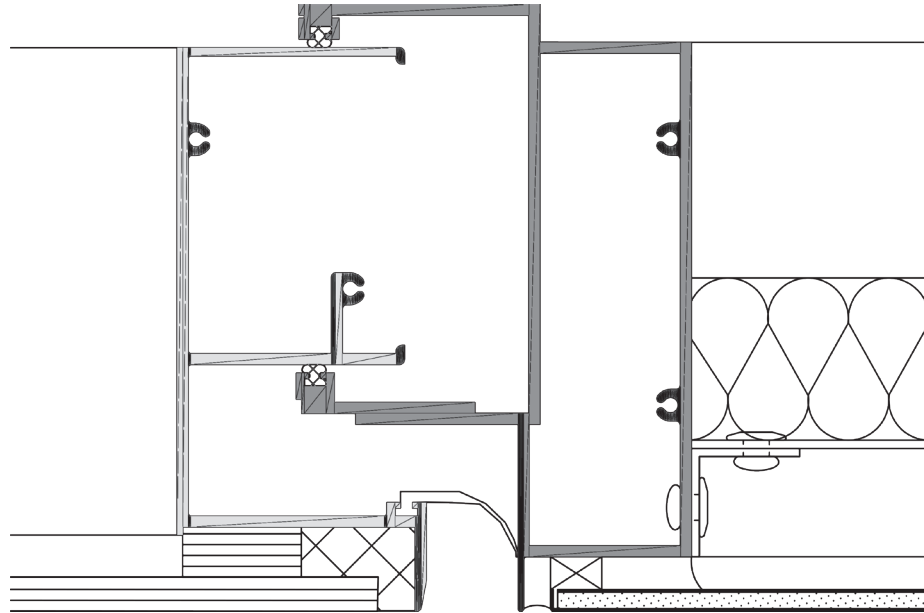
Fri
24

Sat
25

Sun
26

ALUCOBOND®

Design | Construction
ALUCOBOND® Unitised
System - Special Design



JOINT SECTION

All drawings are for illustration only. For design details suitable for your location contact our technical service or an ALUCOBOND® representative nearest to you.

**Australia Lighthouse
Apartments**
Victoria | Australia

Building Owner : Multiplex
Architect : Elenberg Fraser
Completed : 2017
Fabricator | Installer : G James and Cladding Systems
Product : ALUCOBOND® PLUS 4mm
Surface Finish : PVDF / FEVE coil-coated
Custom Colour : Custom Colour
Photos : © Hengyi





May / June 2019



Week 22

Central Festival Phuket | Phuket | Thailand

Mon
27

Tue
28

Wed
29

Thu
30

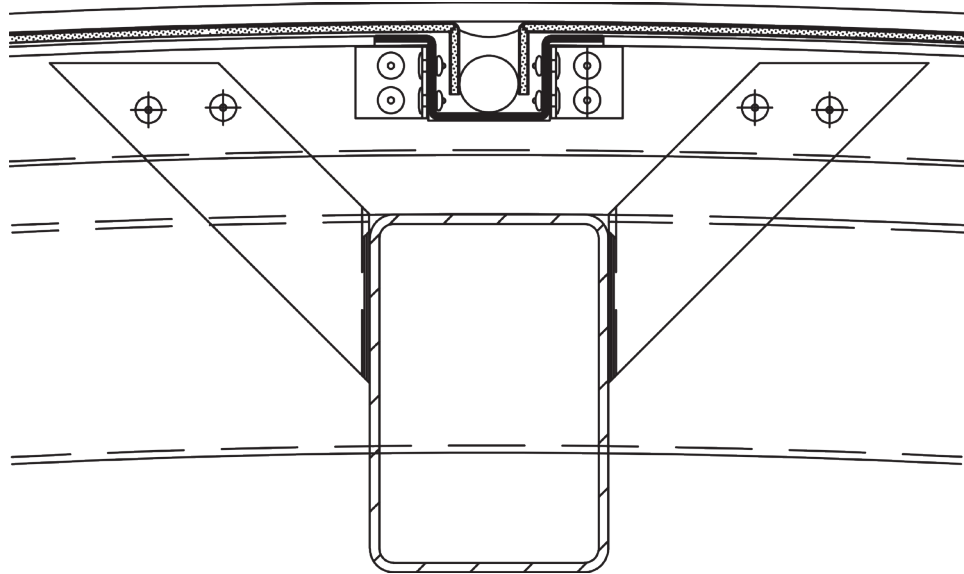
Fri
31

Sat
1

Sun
2

ALUCOBOND®

Design | Construction
ALUCOBOND® Roof
System - Sealed Design



JOINT SECTION

All drawings are for illustration only. For design details suitable for your location contact our technical service or an ALUCOBOND® representative nearest to you.

Central Festival Phuket
Phuket | Thailand

Building Owner	: Central Pattana Public Company Limited
Architect	: M.A.A.R. Co. Ltd.
Completed	: 2017
Fabricator Installer	: Asia Aluminum and Glass Co. Ltd.
Product	: ALUCOBOND® PLUS 4mm
Surface Finish	: PVDF / FEVE coil-coated
Standard Colour	: Spectra Cupral (913)
Photos	: Vittaya Pupullap





June 2019



Week 23

77 Robinson Road | Singapore

Mon
3

Tue
4

Wed
5

Thu
6

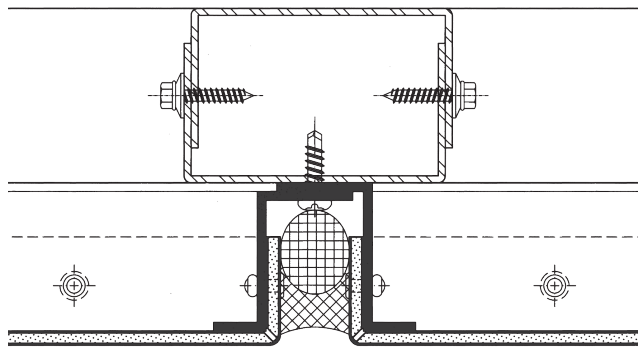
Fri
7

Sat
8

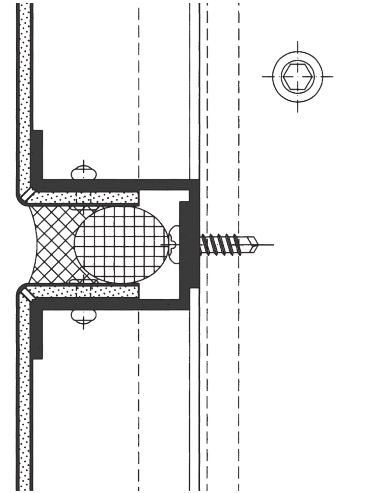
Sun
9

ALUCOBOND®

Design | Construction
ALUCOBOND® Tray Panel
System - Sealed Joint



HORIZONTAL SECTION



VERTICAL SECTION

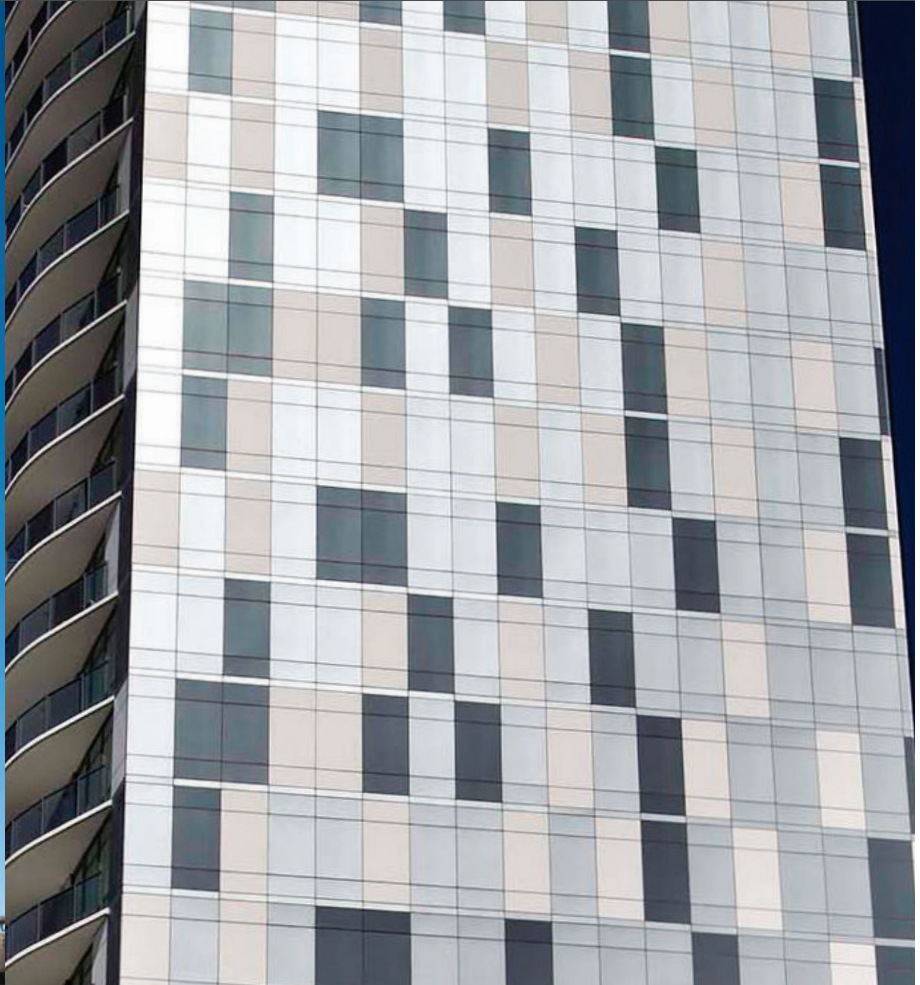
All drawings are for illustration only. For design details suitable for your location contact our technical service or an ALUCOBOND® representative nearest to you.

77 Robinson Road
Singapore

Building Owner : CLSA Real Estate
Architect : Forum-Architect
Completed : 2017
Fabricator | Installer : Gennal Industries, Mantec Engineering
Product : ALUCOBOND® PLUS 4mm
Surface Finish : PVDF / FEVE coil-coated
Standard Colour : Terra Arctic Frost (380)
Photos : John Yuen



June 2019



Week 24

Adaire Mixed-Use Residential Community | Virginia | USA

Mon
10

Tue
11

Wed
12

Thu
13

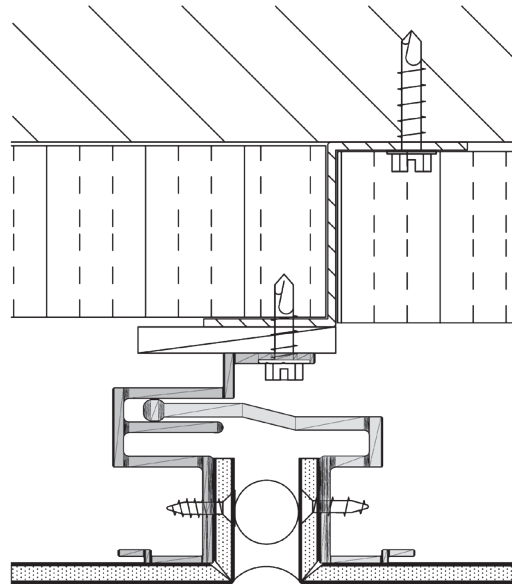
Fri
14

Sat
15

Sun
16

ALUCOBOND®

Design | Construction
ALUCOBOND® Tray Panel
System - Special Design



JOINT SECTION

All drawings are for illustration only. For design details suitable for your location contact our technical service or an ALUCOBOND® representative nearest to you.

**Adaire Mixed-Use
Residential Community**
Virginia | USA

Building Owner	: Excelsior Parc Apartments Owner LLC
Architect	: R2L: Architects, PLLC
Completed	: 2016
Fabricator Installer	: Custom Walls & Windows
Product	: ALUCOBOND® PLUS 4mm
Surface Finish	: PVDF / FEVE coil-coated
Standard Colour	: Liberty White, MCH Gray Mica, River Satin Nickel
Photos	: Mark Kempf Photography





June 2019



Week 25

DongOh Seed Laboratory | Gyeonggi-do | South Korea

Mon
17

Tue
18

Wed
19

Thu
20

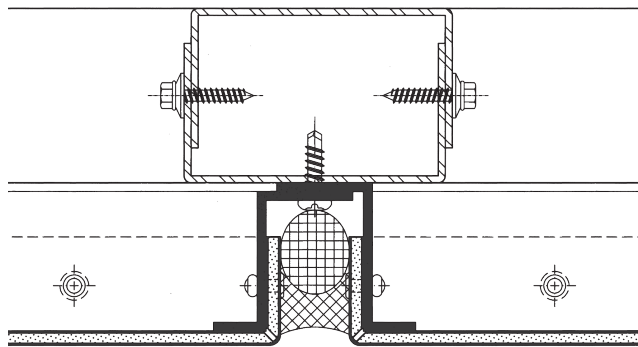
Fri
21

Sat
22

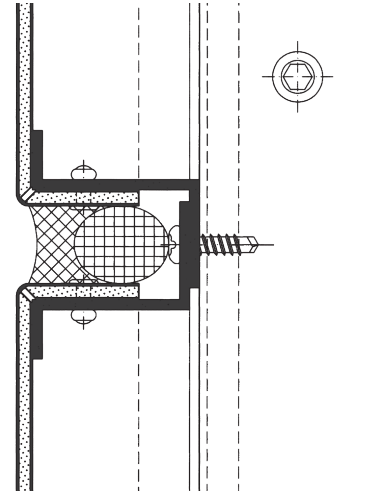
Sun
23

ALUCOBOND®

Design | Construction
ALUCOBOND® Tray Panel
System - Sealed Joint



HORIZONTAL SECTION



VERTICAL SECTION

All drawings are for illustration only. For design details suitable for your location contact our technical service or an ALUCOBOND® representative nearest to you.

DongOh Seed Laboratory
Gyeonggi-do | South Korea

Building Owner : DongOh Group
Architect : Space Yeon
Completed : 2017
Fabricator | Installer : YuSung Industry, DaSan Construction
Product : ALUCOBOND® PLUS 4mm
Surface Finish : PVDF / FEVE coil-coated
Standard Colour : naturAL Reflect (405)
Photos : Studio MP



June 2019



Week 26

AL Wessal Commercial Building | Jeddah | Saudi Arabia

Mon
24

Tue
25

Wed
26

Thu
27

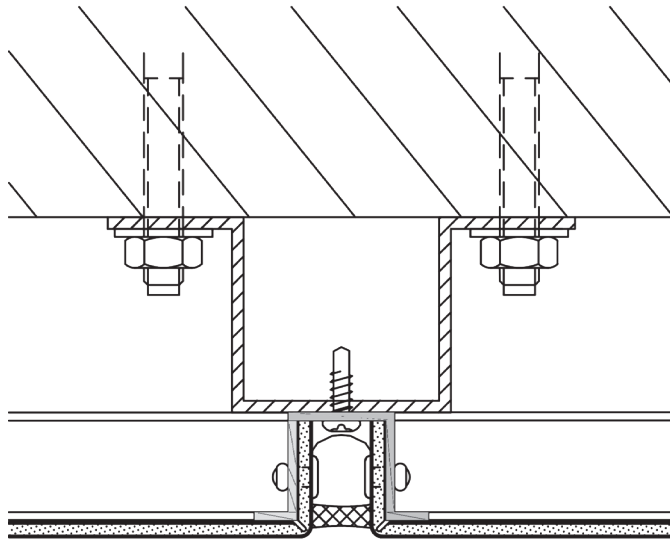
Fri
28

Sat
29

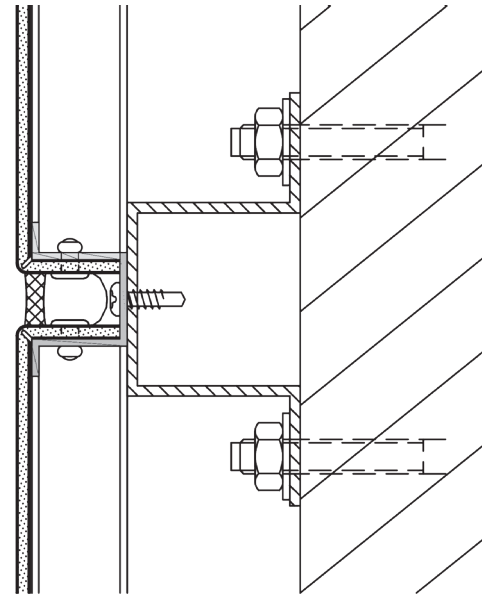
Sun
30

ALUCOBOND®

Design | Construction ALUCOBOND® Tray Panel System - Sealed Joint



HORIZONTAL SECTION



VERTICAL SECTION

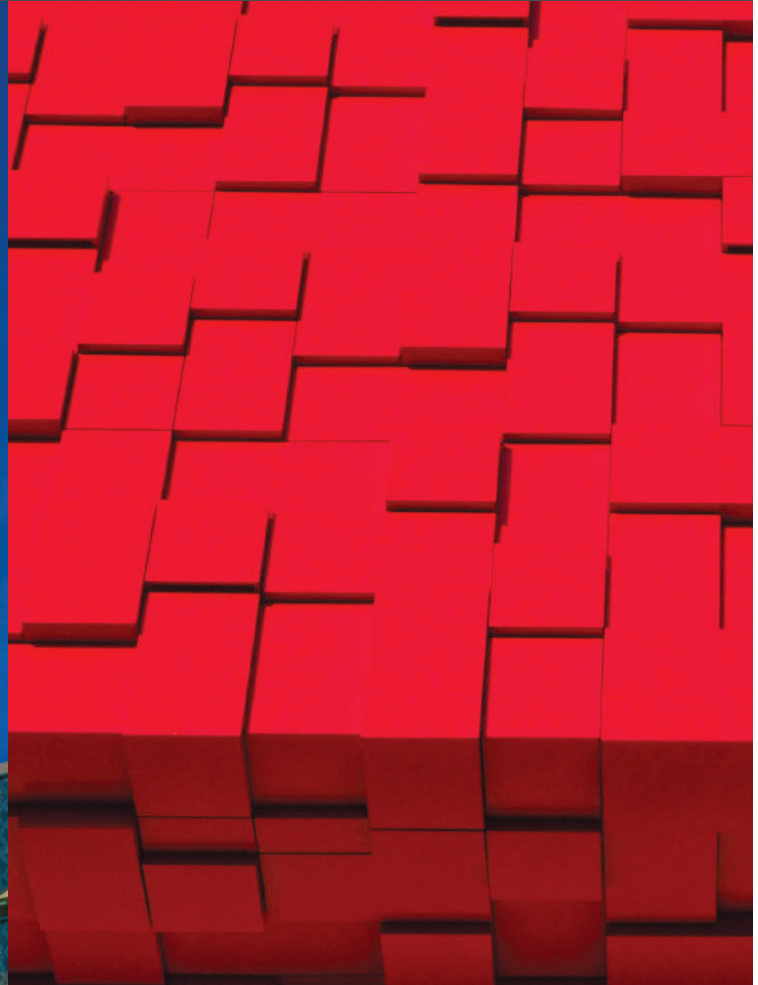
All drawings are for illustration only. For design details suitable for your location contact our technical service or an ALUCOBOND® representative nearest to you.

AL Wessal Commercial Building Jeddah | Saudi Arabia

Building Owner : Saud Al Faisal
Architect : Talal Kurdi Consultancy Office
Completed : 2013
Fabricator | Installer : Kanaan Glass and Aluminium Factory
Product : ALUCOBOND® 4mm
Surface Finish : PVDF / FEVE coil-coated
Standard Colour : Silver metallic (500)
Photos : Markus Setz



July 2019



Week 27

SOHO @ One South | Kuala Lumpur | Malaysia

Mon

Tue

Wed

Thu

Fri

Sat

Sun

1

2

3

4

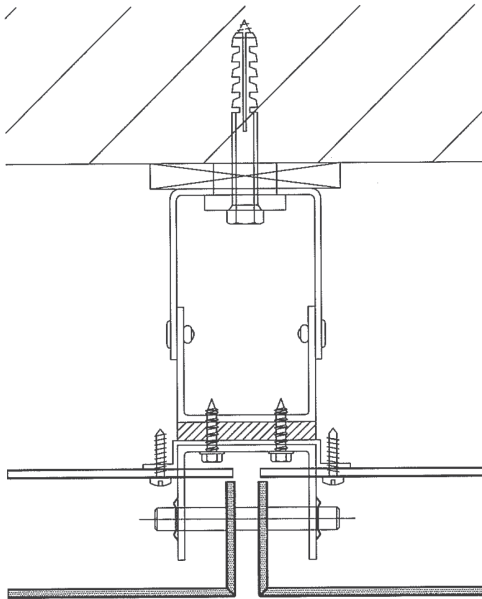
5

6

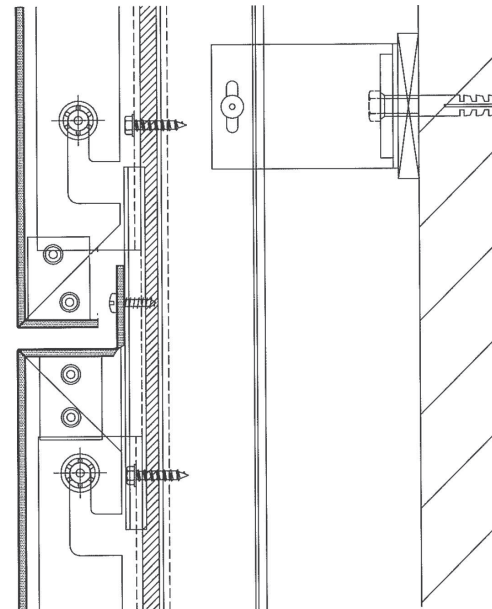
7

ALUCOBOND®

Design | Construction ALUCOBOND® Tray Panel System - Suspended on Pins



HORIZONTAL SECTION



VERTICAL SECTION

All drawings are for illustration only. For design details suitable for your location contact our technical service or an ALUCOBOND® representative nearest to you.

SOHO @ One South
Kuala Lumpur | Malaysia

Building Owner : Prop Park Sdn Bhd
Architect : Kumpulan Senireka Sdn Bhd
Completed : 2017
Fabricator | Installer : Tycotech Aluminium Sdn Bhd
Product : ALUCOBOND® PLUS 4mm
Surface Finish : PVDF / FEVE coil-coated
Standard Colour : Red (8201)
Photos : John Ong



July 2019



Week 28

Pavo Point | Bandar Seri Begawan | Brunei

Mon

Tue

Wed

Thu

Fri

Sat

Sun

8

9

10

11

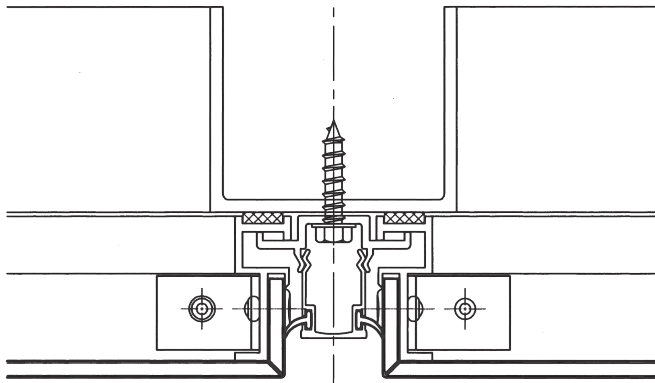
12

13

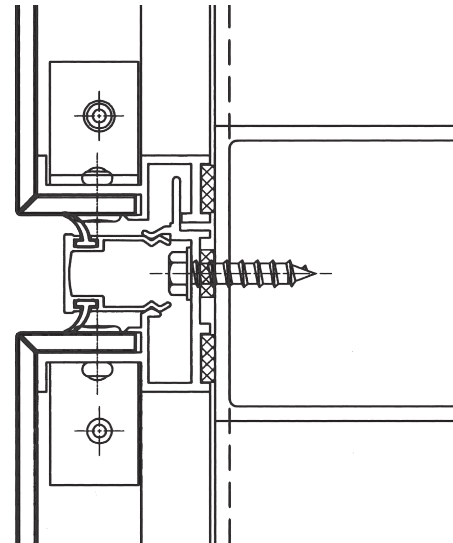
14

ALUCOBOND®

Design | Construction
ALUCOBOND® Tray Panels
System - Capped Joint



HORIZONTAL SECTION



VERTICAL SECTION

All drawings are for illustration only. For design details suitable for your location contact our technical service or an ALUCOBOND® representative nearest to you.

Pavo Point
Bandar Seri Begawan | Brunei

Building Owner : Capiland Development Company
Architect : Gemilang Latif Associates
Completed : 2018
Fabricator | Installer : TSL Construction
Product : ALUCOBOND® 4mm
Surface Finish : PVDF / FEVE coil-coated
Standard Colour : Anthrazit Grey (105), Black (326)
Photos : Yeoh Chee Keong



July 2019



Week 29

Riviera Shopping Mall | Moscow | Russia

Mon
15

Tue
16

Wed
17

Thu
18

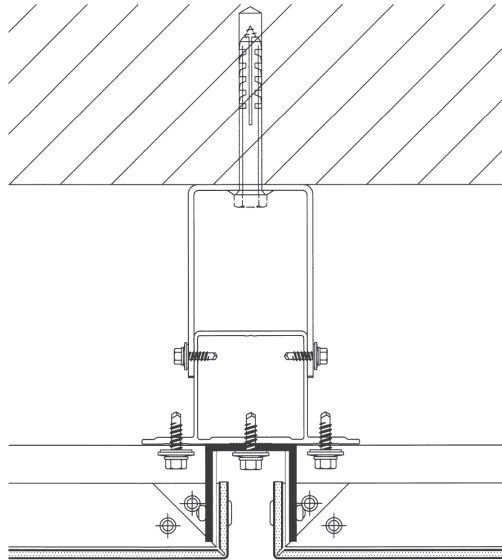
Fri
19

Sat
20

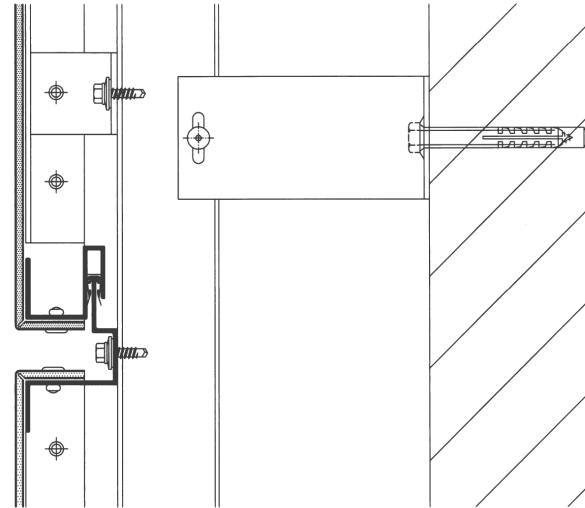
Sun
21

ALUCOBOND®

Design | Construction
ALUCOBOND® SZ 20 Tray
Panel System - Open Joint



HORIZONTAL SECTION



VERTICAL SECTION

All drawings are for illustration only. For design details suitable for your location contact our technical service or an ALUCOBOND® representative nearest to you.

Riviera Shopping Mall
Moscow | Russia

Building Owner : OOO Riviera
Architect : 5 + Design
Completed : 2016
Fabricator | Installer : Dekoral
Product : ALUCOBOND® A2 4mm
Surface Finish : PVDF / FEVE coil-coated
Standard Colour : Spectra Ocean (914)
Photos : Daniel Sumesgutner





July 2019



Week 30

Henley Beach South | Adelaide | Australia

Mon
22

Tue
23

Wed
24

Thu
25

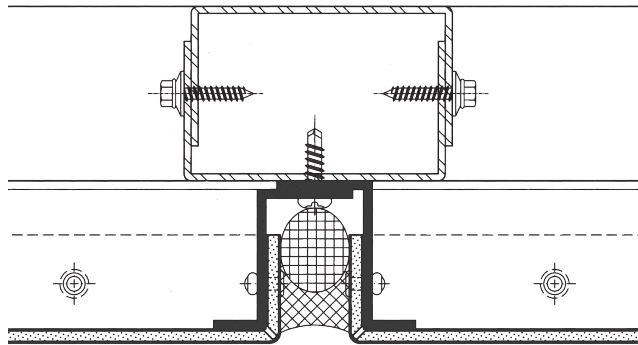
Fri
26

Sat
27

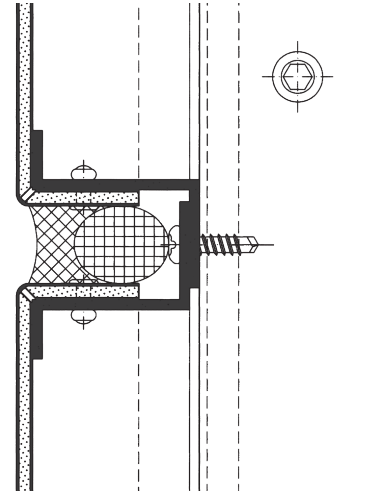
Sun
28

ALUCOBOND®

Design | Construction
ALUCOBOND® Tray Panel
System - Sealed Joint



HORIZONTAL SECTION



VERTICAL SECTION

All drawings are for illustration only. For design details suitable for your location contact our technical service or an ALUCOBOND® representative nearest to you.

Henley Beach South
Adelaide | Australia

Building Owner : Private Residential
Architect : Spectra Design Group
Completed : 2017
Fabricator | Installer : Grange Homes Pty Ltd, Trimad
Product : ALUCOBOND® PLUS 4mm
Surface Finish : PVDF / FEVE coil-coated
Standard Colour : naturAL Copper (434), White 16 (101), Black (326)



July / August 2019



Week 31

KPK Building II | Jakarta | Indonesia

Mon
29

Tue
30

Wed
31

Thu
1

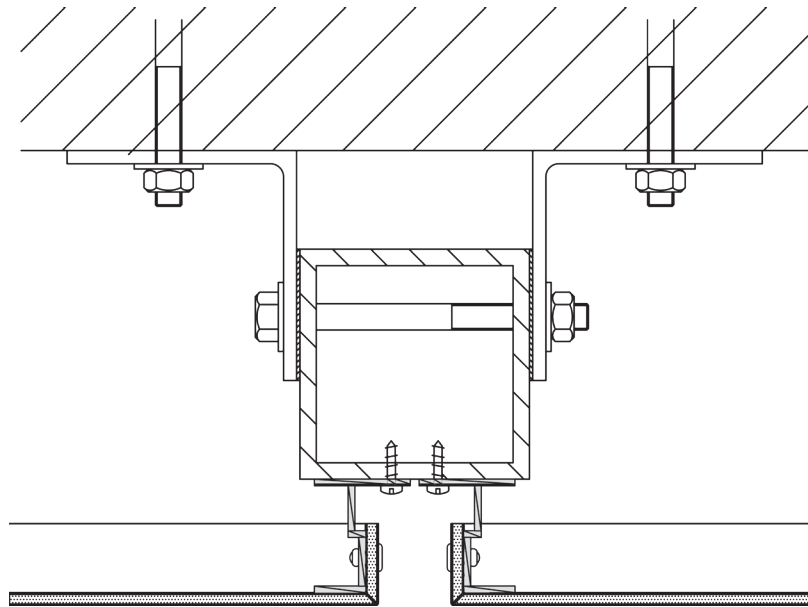
Fri
2

Sat
3

Sun
4

ALUCOBOND®

Design I Construction
ALUCOBOND® Tray Panel
System - Sealed Joint



JOINT SECTION

All drawings are for illustration only. For design details suitable for your location contact our technical service or an ALUCOBOND® representative nearest to you.

KPK Building II
Jakarta I Indonesia

Building Owner	: Komisi Pemberantasan Korupsi
Architect	: PT.Pandu Persada Bandung
Completed	: 2016
Fabricator I Installer	: PT.Hutama Karya/ CV.Dika
Product	: ALUCOBOND® PLUS 4mm
Surface Finish	: PVDF / FEVE coil-coated
Standard Colour	: Bronze metallic (504), Red (8201), White 16 (101), Black (326)



August 2019



Week 32

Fornebuporten | Oslo | Norway

Mon
5

Tue
6

Wed
7

Thu
8

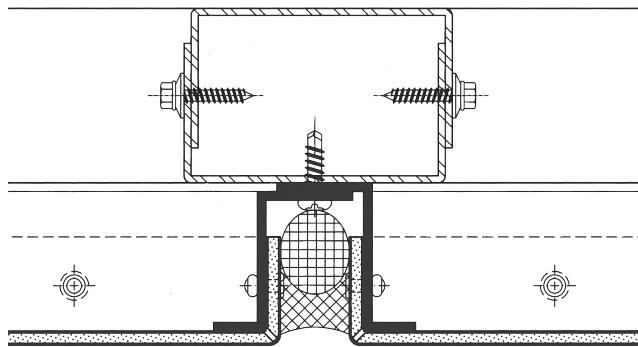
Fri
9

Sat
10

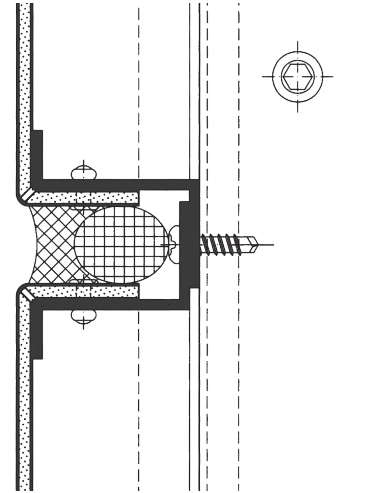
Sun
11

ALUCOBOND®

Design | Construction
ALUCOBOND® Tray Panel
System - Sealed Joint



HORIZONTAL SECTION



VERTICAL SECTION

All drawings are for illustration only. For design details suitable for your location contact our technical service or an ALUCOBOND® representative nearest to you.

Fornebuporten
Oslo | Norway

Building Owner : Fornebuporten Holding AS
Architect : Dark Arkitekter AS
Completed : 2015
Fabricator | Installer : JSC Staticus, Litauen
Product : ALUCOBOND® PLUS 4mm
Surface Finish : PVDF / FEVE coil-coated
Standard Colour : naturAL Brushed (400), Dark grey metallic (505)
Photos : © Hufton+Crow



August 2019



Week 33

Bengbu Olympic Stadium | Bengbu | China

Mon
12

Tue
13

Wed
14

Thu
15

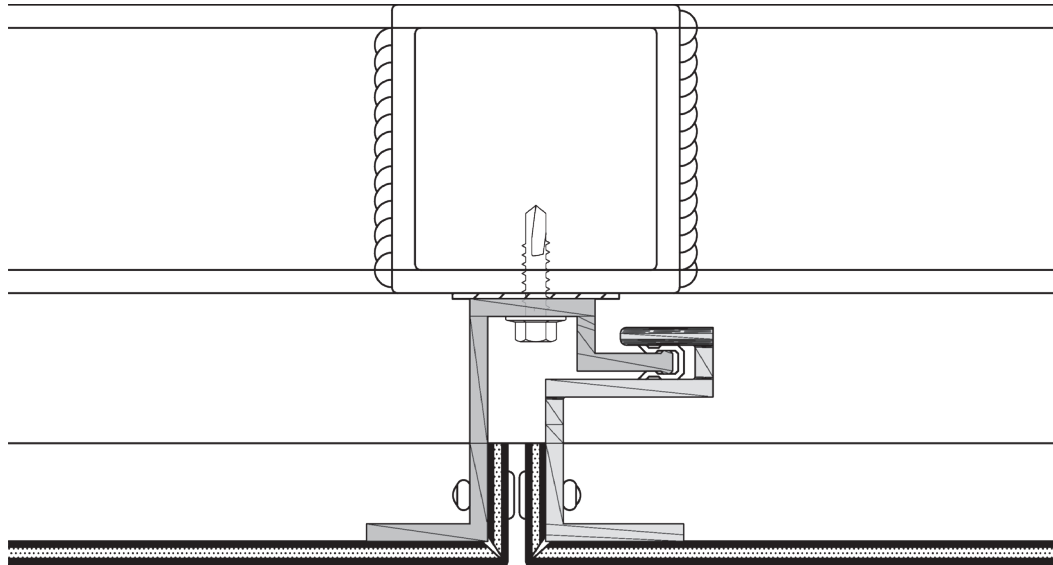
Fri
16

Sat
17

Sun
18

ALUCOBOND®

Design | Construction
ALUCOBOND® Tray Panels
System - Interlocking Open JOINT



JOINT SECTION

All drawings are for illustration only. For design details suitable for your location contact our technical service or an ALUCOBOND® representative nearest to you.

Bengbu Olympic Stadium
Bengbu | China

Building Owner	: Bengbu Olympic Center
Architect	: Beijing Architect Design Institute
Completed	: 2018
Fabricator Installer	: Multi-fabricator
Product	: ALUCOBOND® PLUS 4mm
Surface Finish	: PVDF / FEVE coil-coated
Standard Colour	: Sunrise silver metallic (600), Red (9250)
Photos	: GTV



August 2019



Week 34

Hermès Liat Tower | Singapore

Mon
19

Tue
20

Wed
21

Thu
22

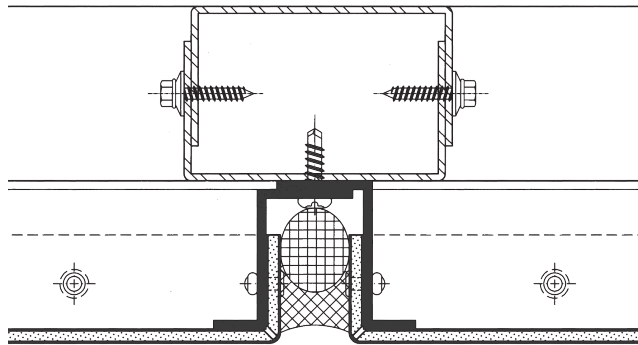
Fri
23

Sat
24

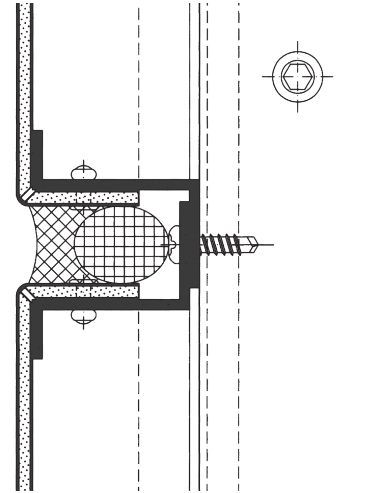
Sun
25

ALUCOBOND®

Design | Construction ALUCOBOND® Tray Panel System - Special Design Sealed Joint



HORIZONTAL SECTION



VERTICAL SECTION

All drawings are for illustration only. For design details suitable for your location contact our technical service or an ALUCOBOND® representative nearest to you.

Hermès Liat Tower Singapore

Building Owner	: Hermès
Architect	: RDAI / RFR / Moss & Associates
Completed	: 2016
Fabricator Installer	: Redwood
Product	: ALUCOBOND® PLUS 4mm
Surface Finish	: PVDF / FEVE coil-coated
Standard Colour	: Beige (103), Sparkling ivory silver (885)



August / September 2019



Week 35

Lebanon Regent Park | Beirut | Lebanon

Mon
26

Tue
27

Wed
28

Thu
29

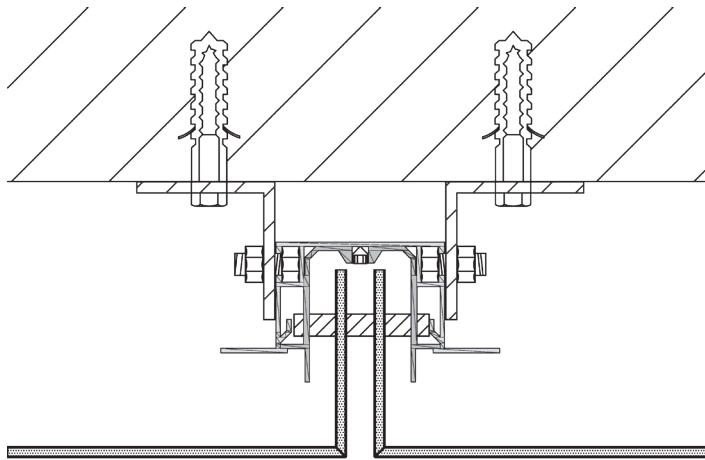
Fri
30

Sat
31

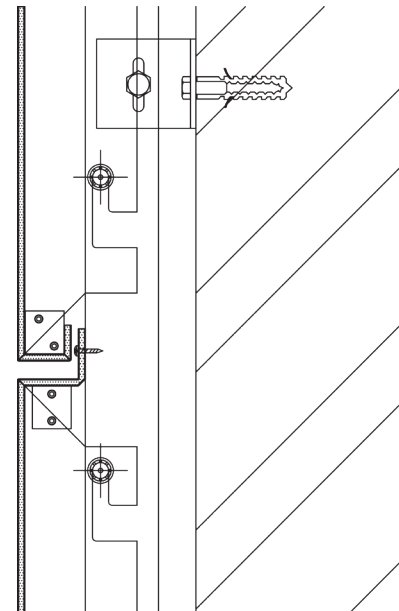
Sun
1

ALUCOBOND®

Design | Construction
ALUCOBOND® Tray Panel
System - Hook on



HORIZONTAL SECTION



VERTICAL SECTION

All drawings are for illustration only. For design details suitable for your location contact our technical service or an ALUCOBOND® representative nearest to you.

Lebanon Regent Park
Beirut | Lebanon

Building Owner : Regent Park Company
Architect : Aysar Abillama Design
Completed : 2016
Fabricator | Installer : Anid Construction
Product : ALUCOBOND® PLUS 4mm
Surface Finish : PVDF / FEVE coil-coated
Standard Colour : naturAL Brushed (400)
Photos : Wael Khoury





September 2019



Week 36

Traisenpark | St. Pölten | Austria

Mon

Tue

Wed

Thu

Fri

Sat

Sun

2

3

4

5

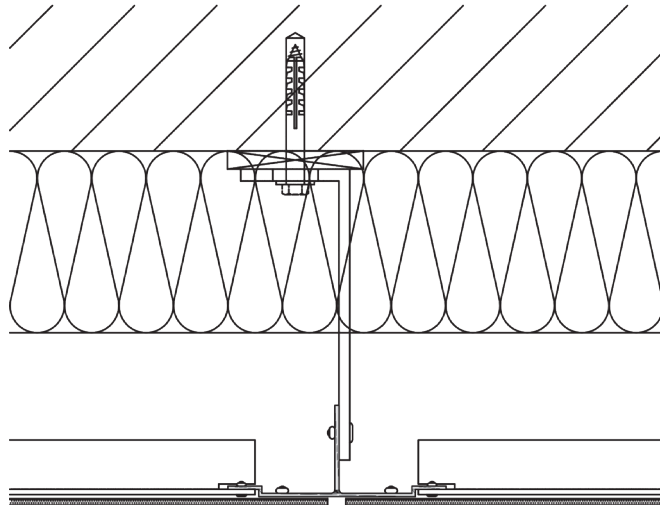
6

7

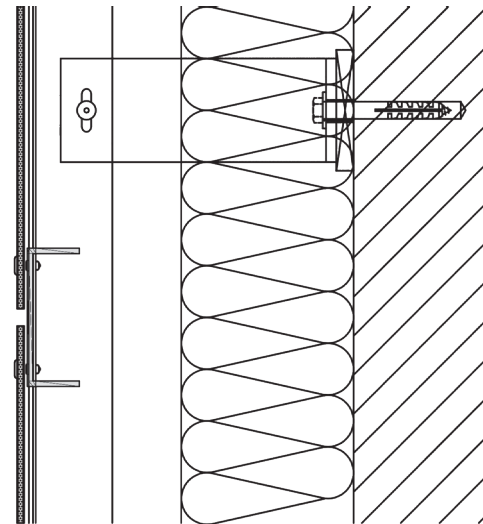
8

ALUCOBOND®

Design | Construction
ALUCOBOND® Ecoclad
System Perforated Riveted



HORIZONTAL SECTION



VERTICAL SECTION

All drawings are for illustration only. For design details suitable for your location contact our technical service or an ALUCOBOND® representative nearest to you.

Traisenpark
St. Pölten | Austria

Building Owner : Convergenta Invest and Beteiligungs GmbH
Architect : ATP architekten
Completed : 2016
Product : ALUCOBOND® PLUS 4mm
Surface Finish : PVDF / FEVE coil-coated
Standard Colour : naturAL Copper (434), Indiana copper (704)
Photos : © Amari



September 2019



Week 37

Unik | Billancourt | France

Mon

Tue

Wed

Thu

Fri

Sat

Sun

9

10

11

12

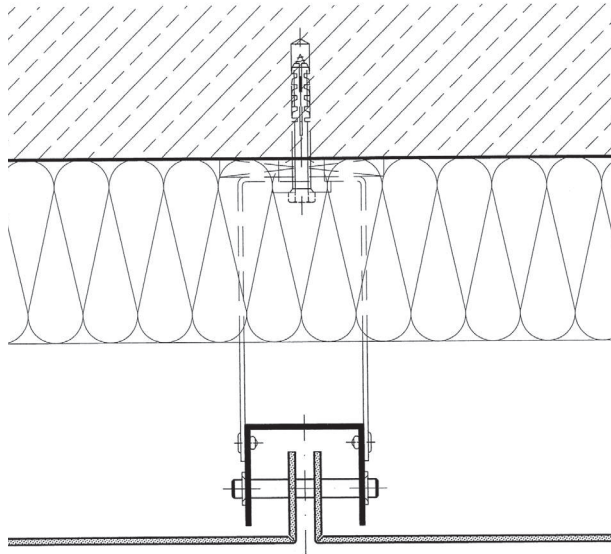
13

14

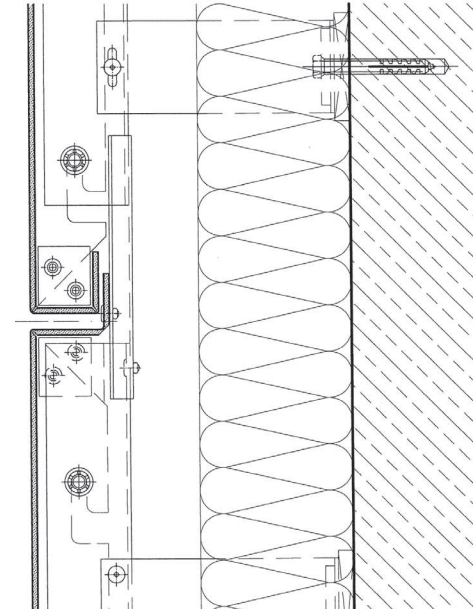
15

ALUCOBOND®

Design | Construction
ALUCOBOND® Tray
Panels System - Hook on



HORIZONTAL SECTION



VERTICAL SECTION

All drawings are for illustration only. For design details suitable for your location contact our technical service or an ALUCOBOND® representative nearest to you.

Unik
Billancourt | France

Building Owner : SAEM Val de Seine
Architect : Beckmann - N'Thépé Architectes
Completed : 2016
Fabricator | Installer : ACODI
Product : ALUCOBOND® PLUS 4mm
Surface Finish : PVDF / FEVE coil-coated
Standard Colour : naturAL Line (401)
Photos : © Javier Callejas



September 2019



Week 38

Shanghai Royal Pavillion | Shanghai | China

Mon

Tue

Wed

Thu

Fri

Sat

Sun

16

17

18

19

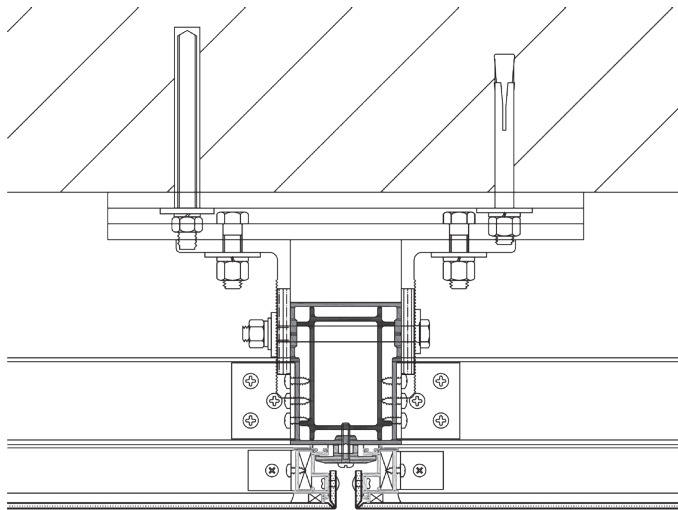
20

21

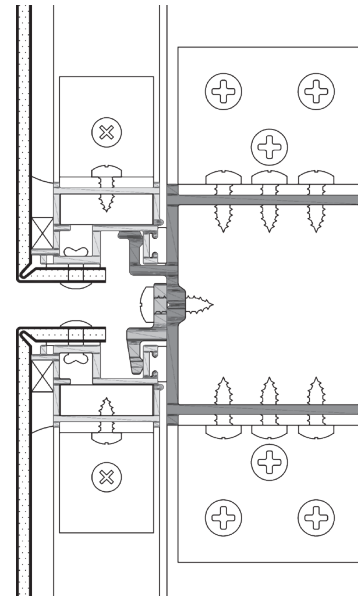
22

ALUCOBOND®

Design | Construction ALUCOBOND® Tray Panel System - Open Joint



HORIZONTAL SECTION



VERTICAL SECTION

All drawings are for illustration only. For design details suitable for your location contact our technical service or an ALUCOBOND® representative nearest to you.

Shanghai Royal Pavillion Shanghai | China

Building Owner	: Shanghai Royal Pavillion
Architect	: Shanghai Tianhua Architect Design Company
Completed	: 2017
Fabricator Installer	: Xin An Fabricator Company
Product	: ALUCOBOND® A2 4mm
Surface Finish	: PVDF / FEVE coil-coated
Standard Colour	: naturAL Brushed (400)
Custom Colour	: Design Special Colour
Photos	: Mark Shen



September 2019



Week 39

AIS Contact Development & Training Arena | Nakhon Ratchasima | Thailand

Mon
23

Tue
24

Wed
25

Thu
26

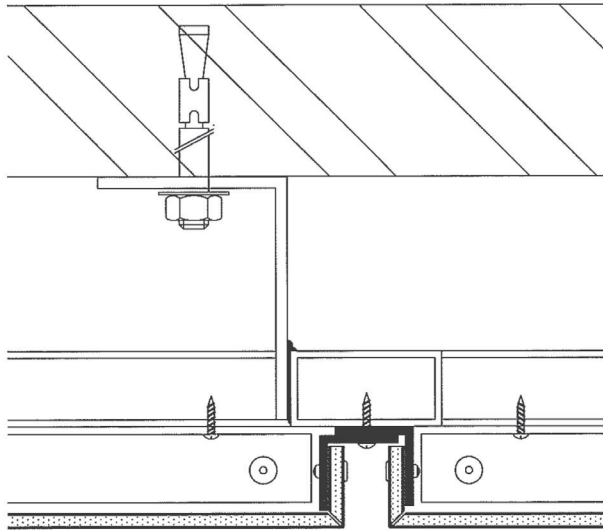
Fri
27

Sat
28

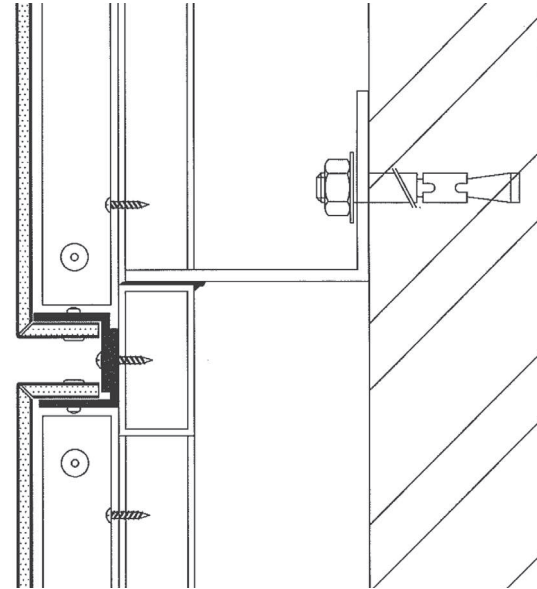
Sun
29

ALUCOBOND®

Design | Construction
ALUCOBOND® Tray Panel
Screw Fixed - Open Joint



HORIZONTAL SECTION



VERTICAL SECTION

All drawings are for illustration only. For design details suitable for your location contact our technical service or an ALUCOBOND® representative nearest to you.

**AIS Contact Development &
Training Arena**
Nakhon Ratchasima | Thailand

Building Owner : Advanced Info Service Public Company Limited
Architect : Plan Architect Co. Ltd.
Completed : 2017
Fabricator | Installer : Newsangtong Service Co. Ltd.
Product : ALUCOBOND® PLUS 4mm
Surface Finish : PVDF / FEVE coil-coated
Standard Colour : naturAL Brushed (400)
Photos : Peeradon Ariyanukooltorn



September / October 2019



Week 40

Tsing Yi Sport Centre | Hong Kong

Mon
30

Tue
1

Wed
2

Thu
3

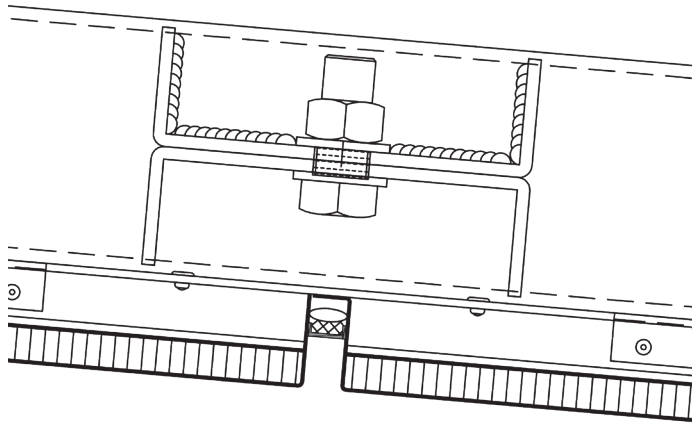
Fri
4

Sat
5

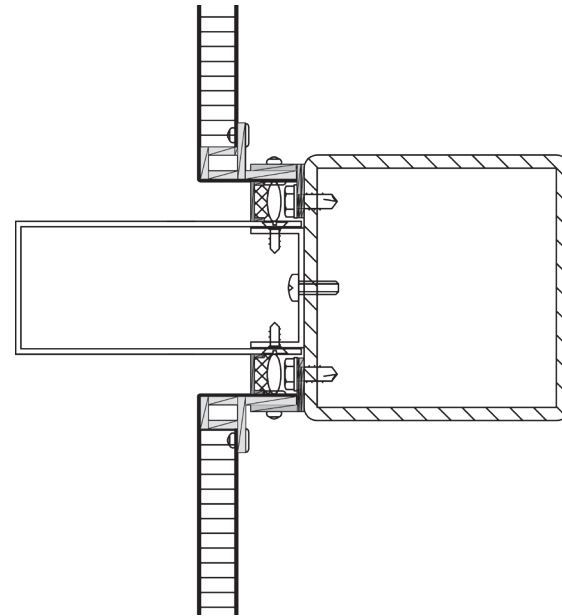
Sun
6

ALUCORE®

Design | Construction
ALUCORE® Clad
Special System



WALL DETAIL



ROOF DETAIL

All drawings are for illustration only. For design details suitable for your location contact our technical service or an ALUCOBOND® representative nearest to you.

Tsing Yi Sport Centre
Hong Kong

Building Owner : Hong Kong Government
Architect : Architectural Service Dept. Building
Completed : 2016
Fabricator | Installer : Empire (HK) Engineering Co. Ltd
Product : ALUCORE® 15mm
Surface Finish : PVDF / FEVE coil-coated
Custom Colour : Sparking Effect
Photos : Ricky Fong





October 2019



Week 41

BDO Belgium | Isnes | Belgium

Mon
7

Tue
8

Wed
9

Thu
10

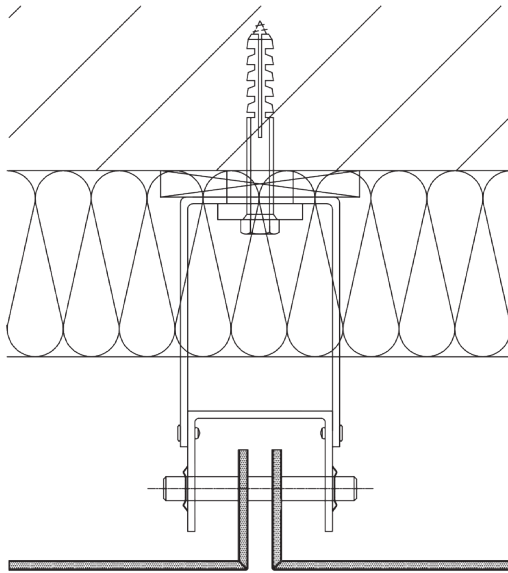
Fri
11

Sat
12

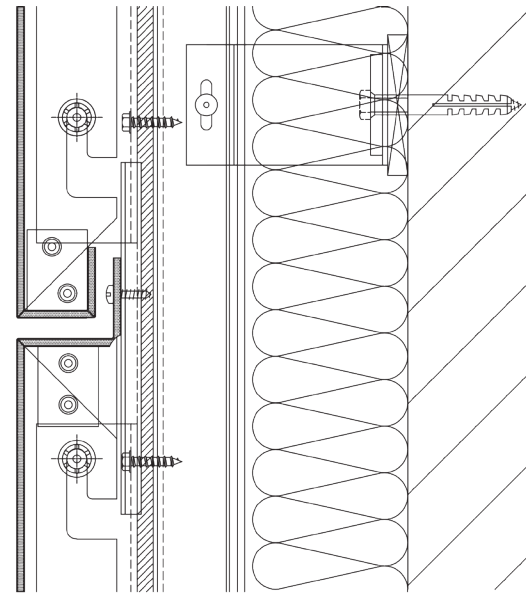
Sun
13

ALUCOBOND®

Design | Construction ALUCOBOND® Tray Panels System - Hook on



HORIZONTAL SECTION



VERTICAL SECTION

All drawings are for illustration only. For design details suitable for your location contact our technical service or an ALUCOBOND® representative nearest to you.

BDO Belgium
Isnes | Belgium

Building Owner : BDO
Architect : Bsolutions – Isnes M.Piazza
Completed : 2017
Fabricator | Installer : Limeparts
Product : ALUCOBOND® PLUS 4mm
Surface Finish : PVDF / FEVE coil-coated
Standard Colour : naturAL Copper (434)
Photos : Kris Dimitriadis



October 2019



Week 42

MayBank Performing Arts Center | Philippines

Mon
14

Tue
15

Wed
16

Thu
17

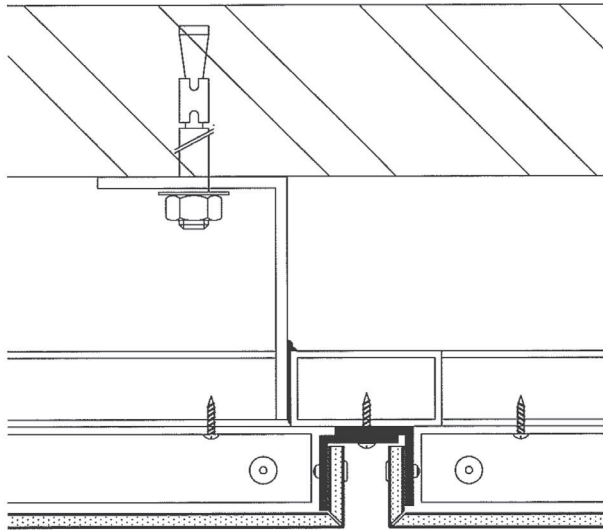
Fri
18

Sat
19

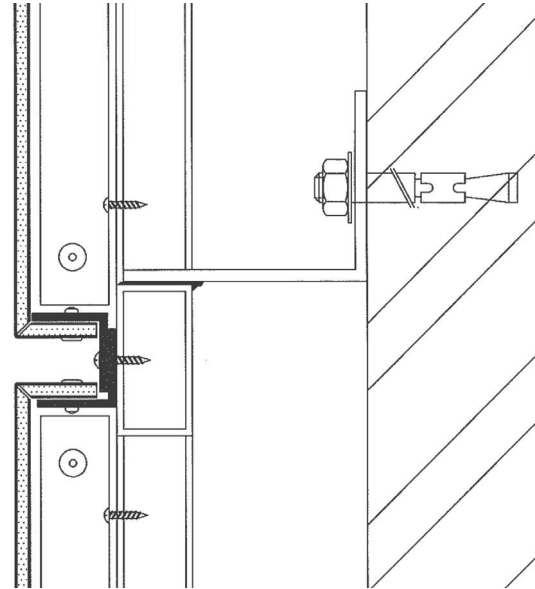
Sun
20

ALUCOBOND®

Design I Construction ALUCOBOND® Tray Panel Screw Fixed - Open Joint



HORIZONTAL SECTION



VERTICAL SECTION

All drawings are for illustration only. For design details suitable for your location contact our technical service or an ALUCOBOND® representative nearest to you.

MayBank Performing Arts Center
Philippines

Building Owner : Fort Bonifacio Development Group
Architect : Casas + Architects
Completed : 2016
Fabricator / Installer : Fasclad Incorporated
Product : ALUCOBOND® PLUS 4mm
Surface Finish : PVDF / FEVE coil-coated
Custom Colour : Light grey shine (800)



October 2019



Week 43

Nanjing Drumtower Hospital | Nanjing | China

Mon
21

Tue
22

Wed
23

Thu
24

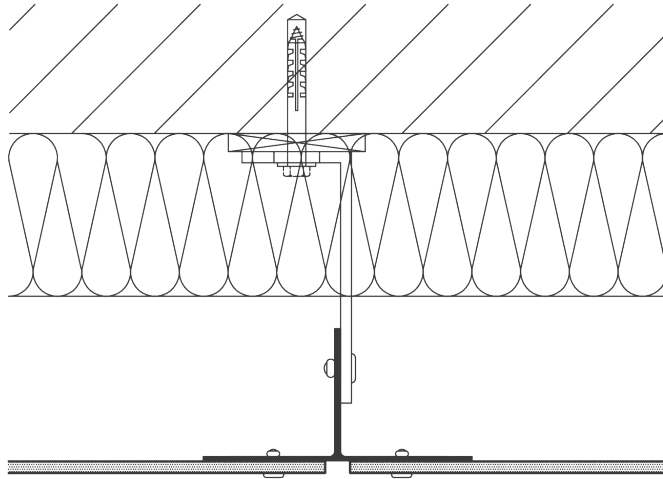
Fri
25

Sat
26

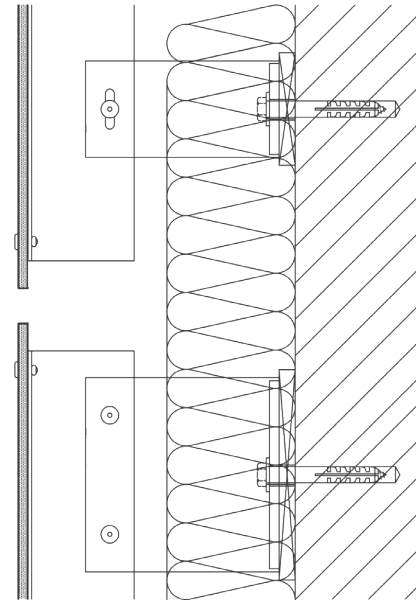
Sun
27

ALUCOBOND®

Design I Construction ALUCOBOND® Riveted System - Special Design Perforated



HORIZONTAL SECTION



VERTICAL SECTION

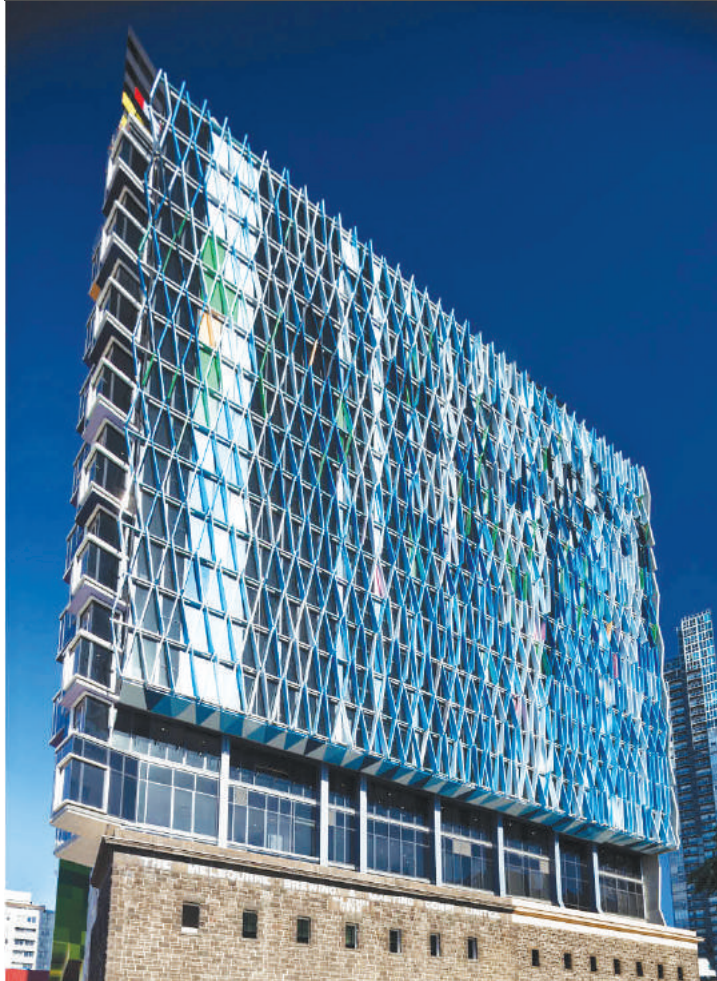
All drawings are for illustration only. For design details suitable for your location contact our technical service or an ALUCOBOND® representative nearest to you.

Nanjing Drum Tower Hospital Nanjing | China

Building Owner	: Nanjing Drum Tower Hospital
Architect	: Lemanarc SA
Completed	: 2016
Fabricator Installer	: Nanjing JinZJ
Product	: ALUCOBOND® 4mm
Surface Finish	: PVDF / FEVE coil-coated
Standard Colour	: Sunrise silver metallic (600)
Photos	: Mark Shen



October / November 2019



Week 44

Bouverie Street Apartments | Melbourne | Australia

Mon
28

Tue
29

Wed
30

Thu
31

Fri
1

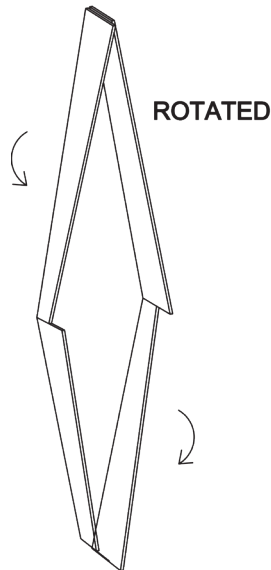
Sat
2

Sun
3

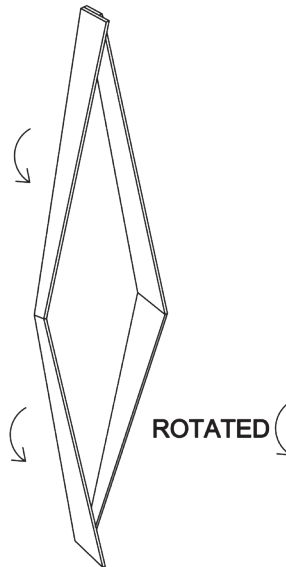
ALUCOBOND®

Design | Construction
ALUCOBOND® Special
Fin Design

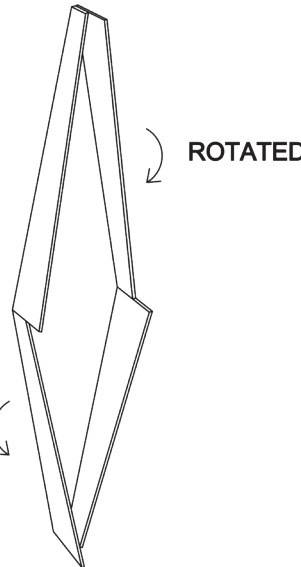
TYPE A



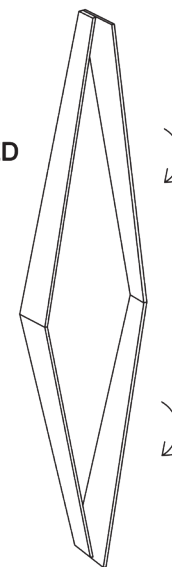
TYPE B



TYPE C



TYPE D



All drawings are for illustration only. For design details suitable for your location contact our technical service or an ALUCOBOND® representative nearest to you.

Bouverie Street Apartments
Melbourne | Australia

Building Owner : Grocon
Architect : Studio 505
Completed : 2015
Fabricator | Installer : Casello Constructions
Product : ALUCOBOND® PLUS 4mm
Surface Finish : PVDF / FEVE coil-coated
Standard Colour : White 16 (101)
Custom Colour : 4 Custom Blue Colours, Custom Green
Photos : © John Gollings





November 2019



Week 45

Central Station Graz - canopy | Graz | Austria

Mon

Tue

Wed

Thu

Fri

Sat

Sun

4

5

6

7

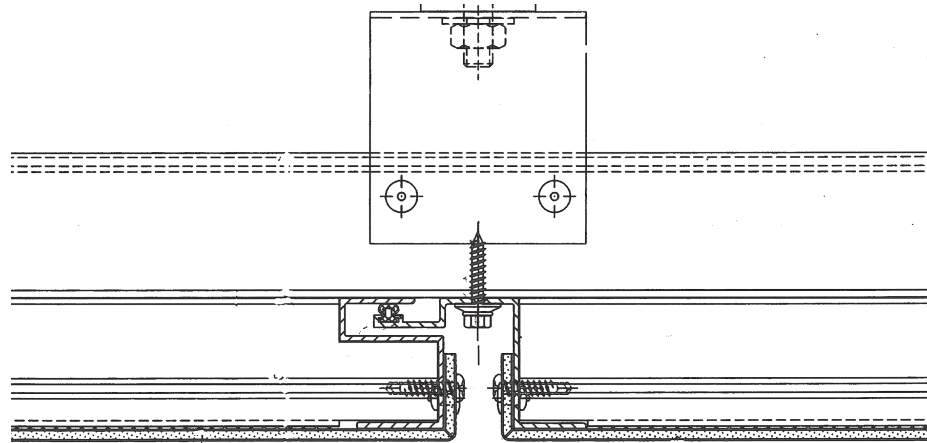
8

9

10

ALUCOBOND®

Design | Construction
ALUCOBOND® Tray Panels System
- Interlocking Open Joint



JOINT SECTION

All drawings are for illustration only. For design details suitable for your location contact our technical service or an ALUCOBOND® representative nearest to you.

Central Station Graz - canopy
Graz | Austria

Building Owner : Austrian Federal Railways
Architect : Zechner & Zechner ZT GmbH
Completed : 2012
Fabricator | Installer : SFL technologies, Stallhofen
Product : ALUCOBOND® 4mm
Surface Finish : PVDF / FEVE coil-coated
Custom Colour : Spectra Custom Colour
Photos : © Thilo Härdtlein



November 2019



Week 46

Chongqing Longfu Sales Center | Chongqing | China

Mon

Tue

Wed

Thu

Fri

Sat

Sun

11

12

13

14

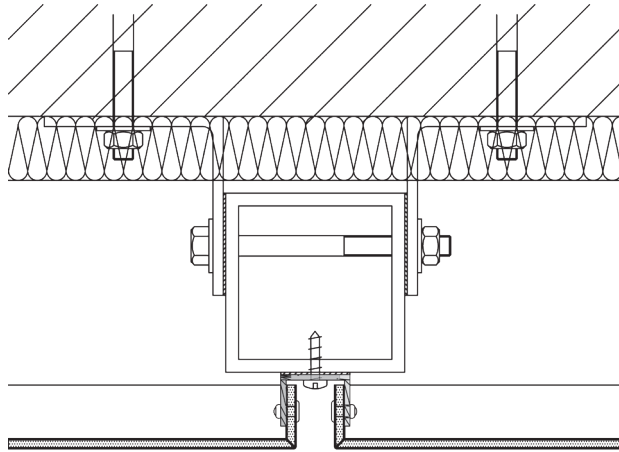
15

16

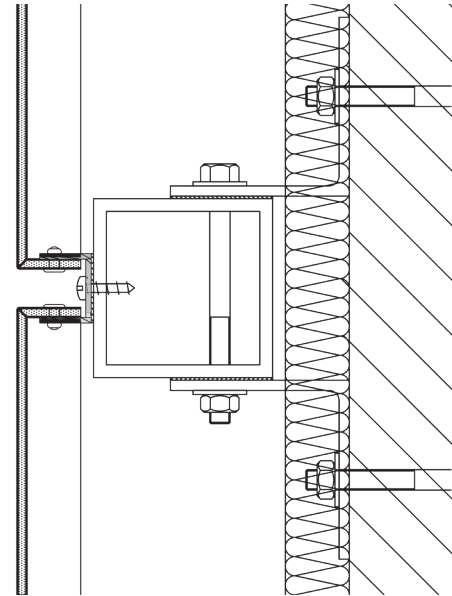
17

ALUCOBOND®

Design | Construction ALUCOBOND® Tray Panels System - Hook on



HORIZONTAL SECTION



VERTICAL SECTION

All drawings are for illustration only. For design details suitable for your location contact our technical service or an ALUCOBOND® representative nearest to you.

Chongqing Longfu Sales Center
Chongqing | China

Building Owner : Chongqing LongFor
Architect : Shanghai Tianhua Architect Design Company
Completed : 2017
Fabricator | Installer : China Construction First Goup Construction & Development Co Ltd
Product : ALUCOBOND® PLUS 4mm
Surface Finish : PVDF / FEVE coil-coated
Standard Colour : Spectra (9919)
Photos : Mark Shen



November 2019



Week 47

SPAR Kaliningrad | Kaliningrad | Russia

Mon
18

Tue
19

Wed
20

Thu
21

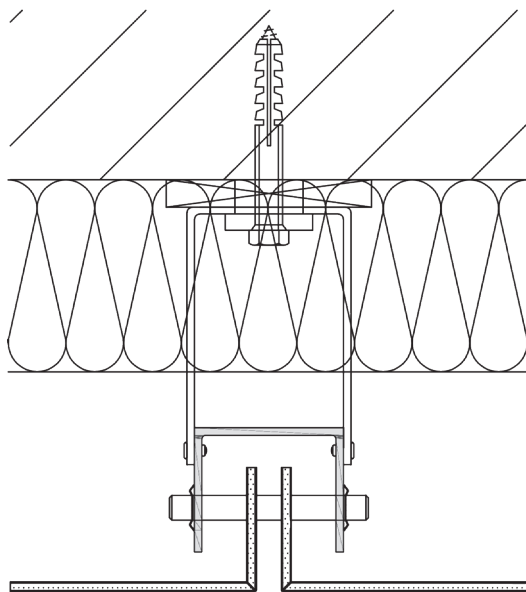
Fri
22

Sat
23

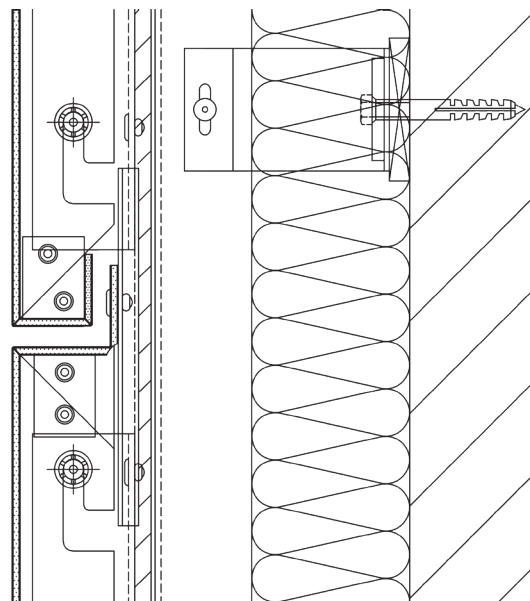
Sun
24

ALUCOBOND®

Design | Construction ALUCOBOND® Tray Panel System - Open Joint



HORIZONTAL SECTION



VERTICAL SECTION

All drawings are for illustration only. For design details suitable for your location contact our technical service or an ALUCOBOND® representative nearest to you.

SPAR Kaliningrad
Kaliningrad | Russia

Building Owner : SPAR OOO
Architect : Architectural studio S.P.A.C.E.
Completed : 2015
Fabricator | Installer : Group Kvalitet
Product : ALUCOBOND® PLUS 4mm
Surface Finish : PVDF / FEVE coil-coated
Standard Colour : European walnut (D8040)



November / December 2019



Week 48

Subway Station Sportivnaya-2 | St. Petersburg | Russia

Mon
25

Tue
26

Wed
27

Thu
28

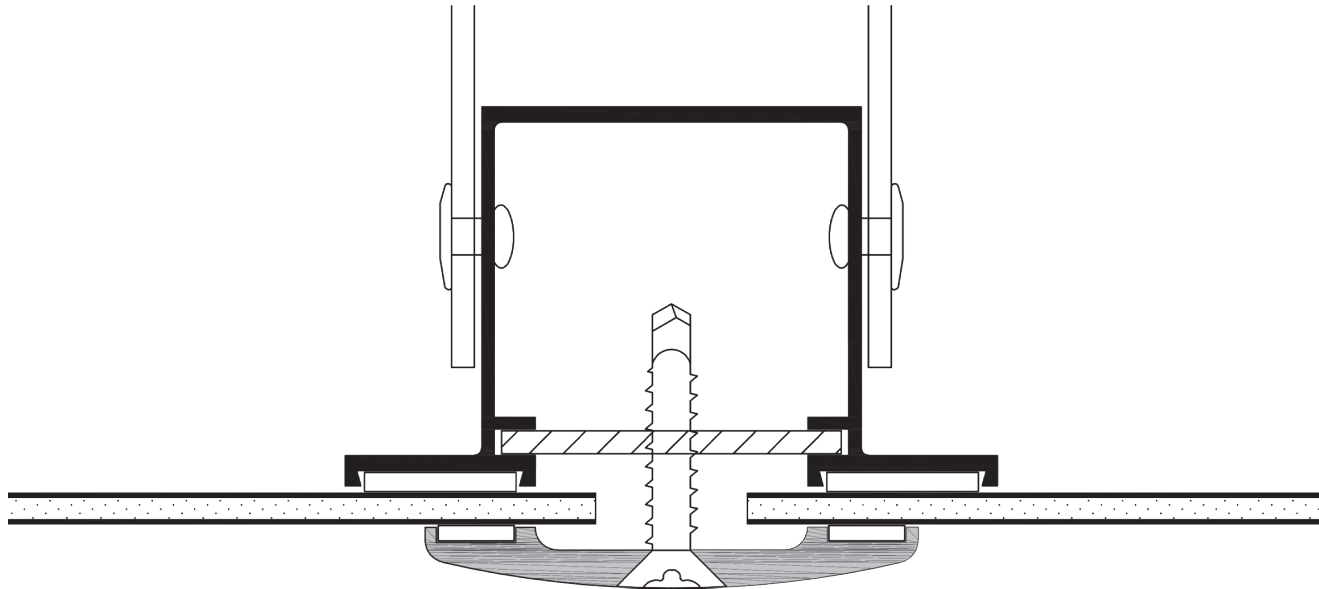
Fri
29

Sat
30

Sun
1

ALUCOBOND®

Design | Construction
ALUCOBOND® Special
Curve Design with Clamp



JOINT SECTION

All drawings are for illustration only. For design details suitable for your location contact our technical service or an ALUCOBOND® representative nearest to you.

Subway Station Sportivnaya-2
St. Petersburg | Russia

Building Owner	: Saint Petersburg Metro
Architect	: LenMetroGiproTrans
Completed	: 2015
Fabricator Installer	: Zap Aaskon, MetroAlum
Product	: ALUCOBOND® A2 4mm
Surface Finish	: PVDF / FEVE coil-coated
Standard Colour	: naturAL Brushed (400), White 16 (101)
Photos	: © Daniel Sumesgutner



December 2019



Week 49

Reverside Janus | Gentilly | France

Mon
2

Tue
3

Wed
4

Thu
5

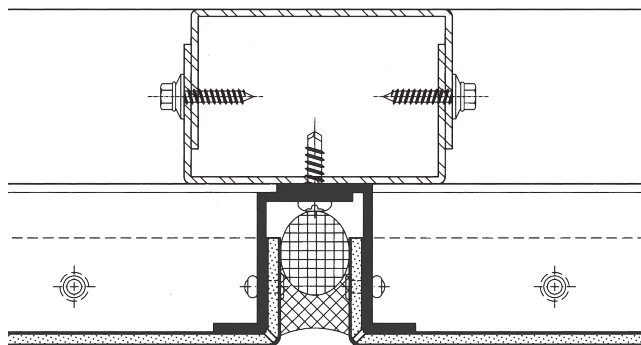
Fri
6

Sat
7

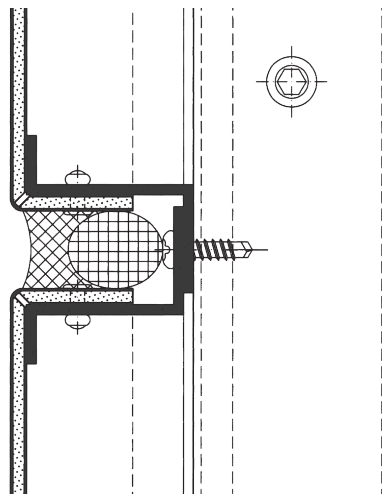
Sun
8

ALUCOBOND®

Design | Construction
ALUCOBOND® Tray Panel
System - Sealed Joint



HORIZONTAL SECTION



VERTICAL SECTION

All drawings are for illustration only. For design details suitable for your location contact our technical service or an ALUCOBOND® representative nearest to you.

Reverside Janus
Gentilly | France

Building Owner : SODEARIF
Architect : Brénac et Gonzales
Completed : 2017
Fabricator | Installer : Tim Composites
Product : ALUCOBOND® PLUS 4mm
Surface Finish : PVDF / FEVE coil-coated
Standard Colour : naturAL Reflect (405), Anodized Look C0/EV1 (C01)
Photos : © Sergio Grazia



December 2019



Week 50

Jakarta International Equestrian Park | Jakarta | Indonesia

Mon

Tue

Wed

Thu

Fri

Sat

Sun

9

10

11

12

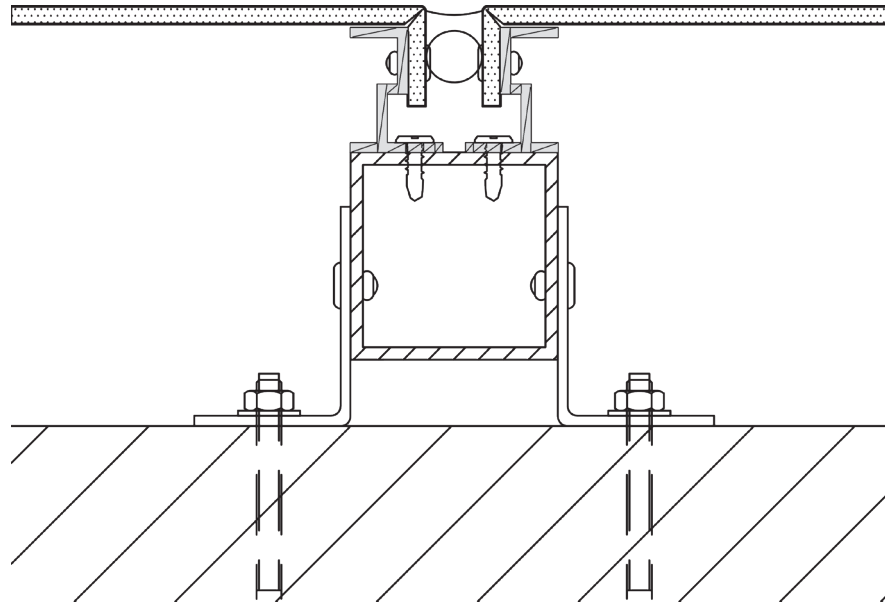
13

14

15

ALUCOBOND®

Design | Construction
ALUCOBOND® Tray Panel
System - Sealed Joint



JOINT SECTION

All drawings are for illustration only. For design details suitable for your location contact our technical service or an ALUCOBOND® representative nearest to you.

**Jakarta International
Equestrian Park**
Jakarta | Indonesia

Building Owner : DKI Jakarta
Architect : PDW Architect
Completed : 2018
Fabricator | Installer : Wijaya karya Gedung Tbk
Product : ALUCOBOND® 4mm
Surface Finish : PVDF / FEVE coil-coated
Standard Colour : Silver metallic (500)
Photos : Fernando GoMulya





December 2019



Week 51

Pandit Dindayal Upadhyay Indoor Stadium | Surat | India

Mon
16

Tue
17

Wed
18

Thu
19

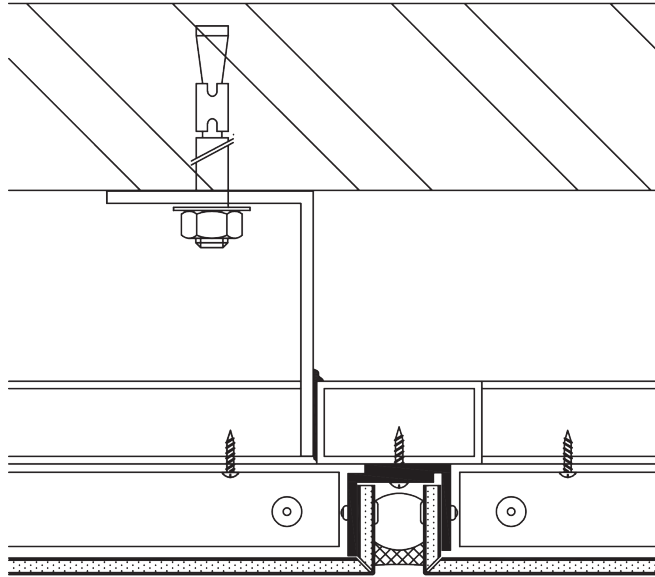
Fri
20

Sat
21

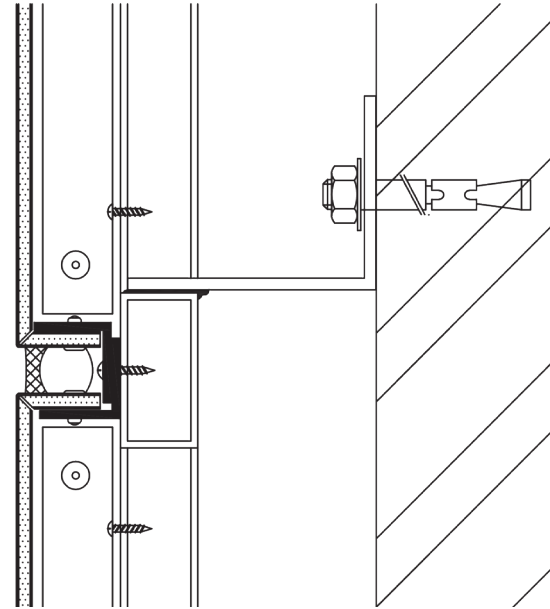
Sun
22

ALUCOBOND®

Design | Construction
ALUCOBOND® Tray Panel
System - Sealed Joint



HORIZONTAL SECTION



VERTICAL SECTION

All drawings are for illustration only. For design details suitable for your location contact our technical service or an ALUCOBOND® representative nearest to you.

Pandit Dindayal Upadyay
Indoor Stadium
Surat | India

Building Owner : Surat Municipal corporation
Architect : Mr. Ram Sharma
Completed : 2016
Fabricator | Installer : Roofs & Ceilings (I) Pvt. Ltd.
Product : ALUCOBOND® 4mm
Surface Finish : PVDF / FEVE coil-coated
Standard Colour : Bronze metallic (504)
Photos : Nikhil Joshi





December 2019



Week 52 / 53

Al Hamad Tower | Riyadh | Saudi Arabia

Mon

Tue

Wed

Thu

Fri

Sat

Sun

23

24

25

26

27

28

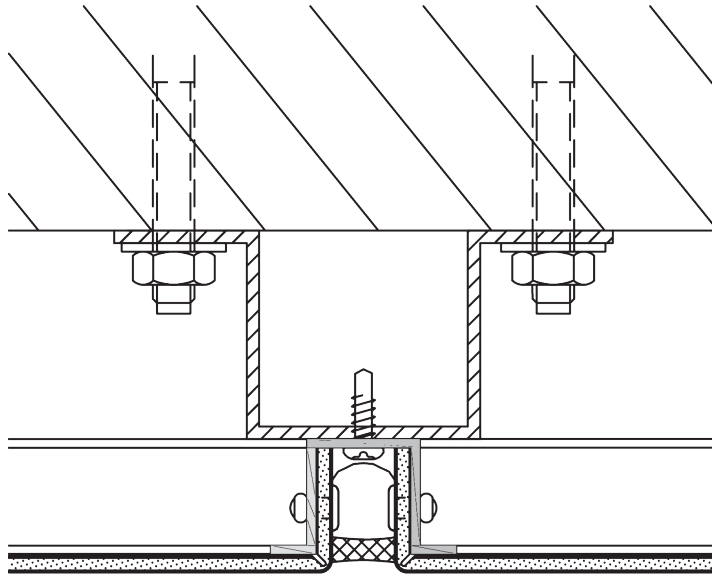
29

30

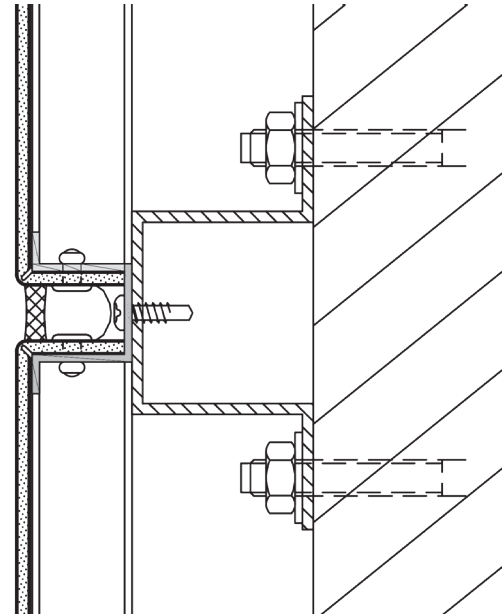
31

ALUCOBOND®

Design | Construction ALUCOBOND® Tray Panel System - Sealed Joint



HORIZONTAL SECTION



VERTICAL SECTION

All drawings are for illustration only. For design details suitable for your location contact our technical service or an ALUCOBOND® representative nearest to you.

Al Hamad Tower
Riyadh | Saudi Arabia

Building Owner : Etihad Al Khaledia Company
Architect : Abdulelah Al Mohanna Engineering Consultants
Office (AAMEC)
Completed : 2016
Fabricator | Installer : Alico
Product : ALUCOBOND® A2 4mm
Surface Finish : PVDF / FEVE coil-coated
Standard Colour : Brilliant metallic (602)
Photos : Markus Setz

