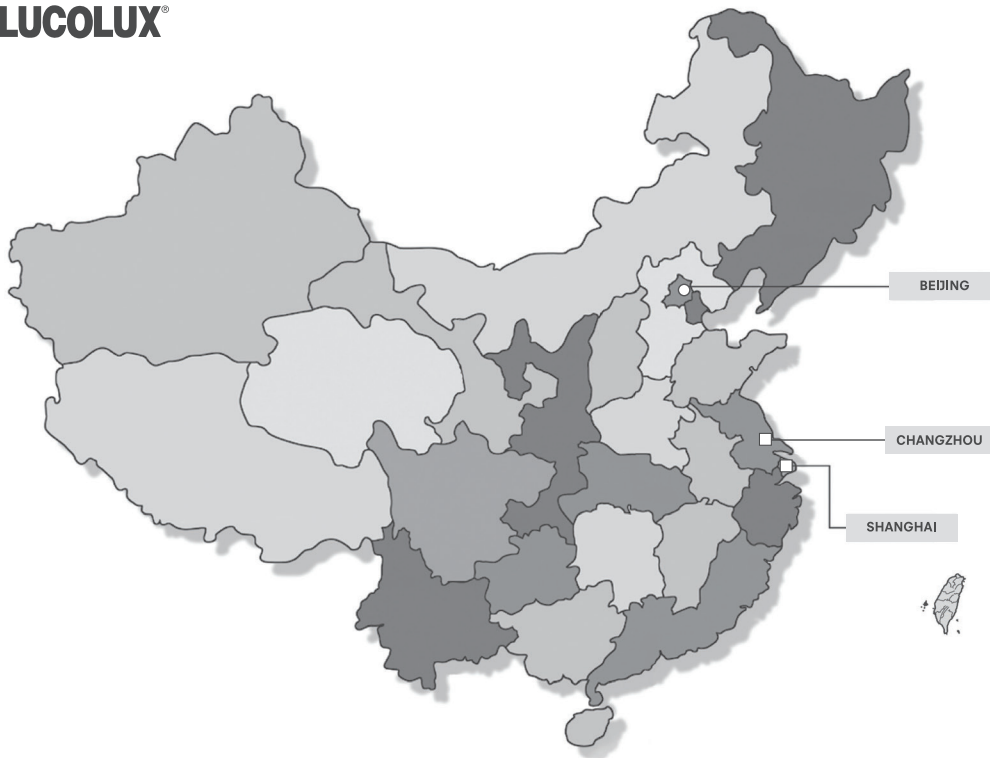


ALUCOBOND®
ALUCOLUX®

2022



ALUCOBOND® A2/PLUS ALUCOLUX®



- ◆ - Alucobond Head Office
- - Alucobond Plant
- - Alucobond Sales Offices

3A Composites (China) Ltd.

Room 1902-1903
Hongkong Prosperity Tower
Mengzi Road No. 763
Huangpu Shanghai
China
Telephone: 021 6315 8550
Email: alucobond.china@3acomposites.com
www.alucobond.com.cn

思瑞安复合材料(中国)有限公司

上海市
蒙自路763号
丰盛创建大厦
1902-1903室
电话: 021 6315 8550
电邮: alucobond.china@3acomposites.com
www.alucobond.com.cn

Alucobond Composites (Jiangsu) Ltd.

10 South Hehuan Road
Zhonglou, Changzhou 213023, China
Telephone: 0519 8166 5766

阿鲁克邦复合材料(江苏)有限公司

中国江苏常州钟楼区
合欢南路10号213023
电话: 0519 8166 5766

SALES OFFICE IN BEIJING:

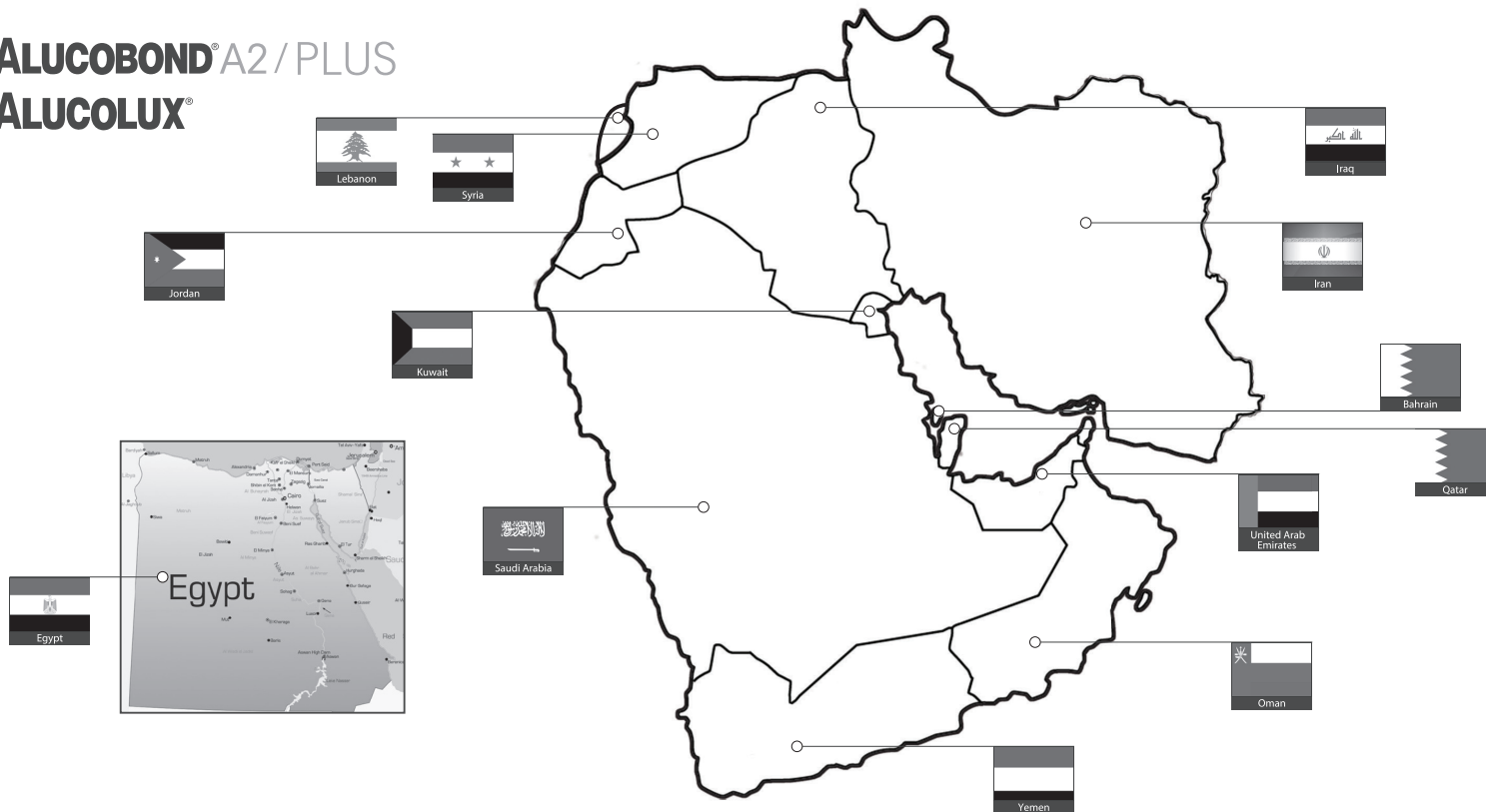
思瑞安复合材料(中国)有限公司 北京办事处
北京市朝阳区何各庄87号院
邮编: 100010
电话: 010 6552 6755

Beijing. 3A Composites (China) Ltd.

No. 87 Hegezhuang Chaoyang District Beijing
100103 Beijing
Telephone: 010 6552 6755

For more information, please contact us.
如有需求, 敬请联络

ALUCOBOND® A2 / PLUS ALUCOLUX®



MIDDLE EAST SUPPORT CENTRE:

3A Composites Middle East (Branch)

Almas Tower, JLT
P.O Box: 343522
Dubai
United Arab Emirates
Mobile: +971 58 535 1721
Email: basel.massis@3acomposites.com
www.alucobond.com

FAR EAST SUPPORT CENTRE:

3A Composites Asia Pacific Pte. Ltd.

300 Beach Road
#10-06 The Concourse
Singapore 199555
Telephone: (65) 6303 9750
Telefax: (65) 6303 9751
Email: sales@alucobond.com.sg
www.alucobond.com.sg

MANUFACTURER:

3A Composites GmbH

Alusingenplatz 1
78224 Singen/Germany
Telephone: (49) 7731 941 2347
Telefax: (49) 7731 941 2845
Email: info@alucobond.com
www.alucobond.com

MANUFACTURER:

3A Composites (China) Ltd.

Room 1902-1903
Hongkong Prosperity Tower
Mengzi Road No. 763
Huangpu Shanghai
China
Telephone: 021 6315 8550
Email: alucobond.china@3acomposites.com
www.alucobond.com.cn

MANUFACTURER:

3A Composites India Pvt. Ltd

Bldg. No. 11, Unit No. 1112, 1st Floor
Solitaire Corporate Park
Mathuradas VasANJI Marg
Andheri (East)
Mumbai - 400 093, India
Telephone: (91) 22 4005 4500
Telefax: (91) 22 4010 4132
Email: alucobond.india@3acomposites.com
www.alucobond.in

ALUCOBOND® A2/PLUS ALUCOLUX®



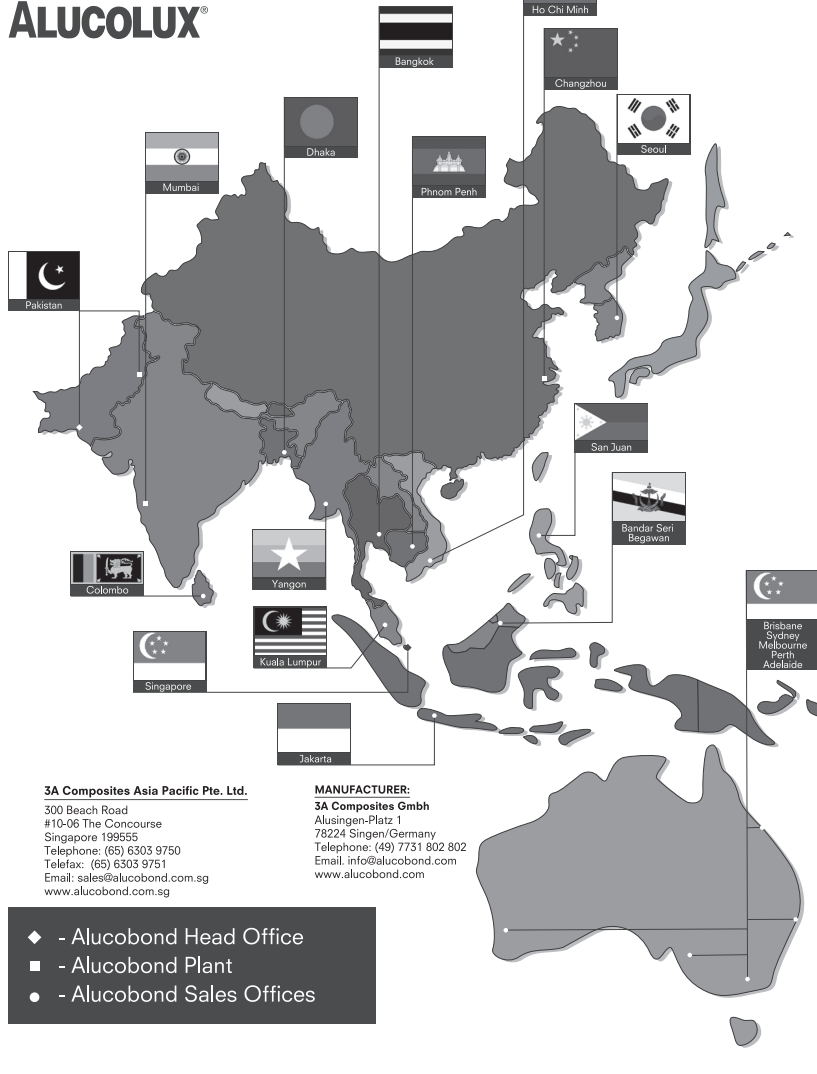
Manufacturing, Technical
Service & Customer Relations

3A Composite USA
208 W. 5th Street
Benton, KY 42025
800-626-3365
270-527-4200

Davidson, NC Headquarters

3A Composite USA
721 Jetton Street, Suite 325
Davidson, NC 28036
Nick Scheib
Vice President of Sales and Marketing
Architectural Division
800-626-3365
info.usa@3acomposites.com

ALUCOBOND® A2 / PLUS / PE ALUCOLUX®



3A Composites Asia Pacific Pte. Ltd.
300 Beach Road
#10-06 The Concourse
Singapore 199555
Telephone: (65) 6303 9750
Telefax: (65) 6303 9751
Email: sales@alucobond.com.sg
www.alucobond.com

MANUFACTURER:
3A Composites GmbH
Alusingen-Platz 1
78224 Singen/Germany
Telephone: (49) 7731 802 807
Email: info@alucobond.com
www.alucobond.com

- ◆ - Alucobond Head Office
- - Alucobond Plant
- - Alucobond Sales Offices

DISTRIBUTORS/AGENTS:

AUSTRALIA
Alucobond Architectural
A Division of Halifax Vogel Pty Limited
25 West Park Drive
Durrinn Victoria 3012
Australia
Telephone: (61) 3 9394 3131
Telefax: (61) 3 9394 3129
Email: info@alucobond.com.au
www.alucobond.com.au

BANGLADESH
Housing & Technology Limited
Gagan Shish (2nd Floor)
76, 76/1 East Raza Bazar
Panthapath, Dhaka 1215
Bangladesh
Telephone: (880) 2 814 5765 / 815 1146
Telefax: (880) 2 814 4180
Email: htl@bdcom.com
www.alucobond.com.bd

BRUNEI
Maju Jaya Sdn Bhd
Unit 5, Ground Floor
Simpang 607-17 Beribi Komplex
Jalan Gascong BE1118
Bandar Seri Begawan
Brunei Darussalam
Telephone: (673) 2 653 950 / 952
Telefax: (673) 2 653 971
Email: majujayasdnbhd8727@gmail.com
admin@mejuyaya168.com
www.alucobond.com.bn

CAMBODIA
Parbury Properties Co. Ltd.
No. 12 St. 289, Sangkat Boeung Kak 1
Khan Toul Kork
Phnom Penh, Cambodia
Telephone: +855 (0) 23 901 931
Email: seakkhun.heng@parbury.com.kh
info@parbury.com.kh
www.parbury.com.kh

FIJI ISLANDS
Vinod Patel & Co. Ltd.
1 Ratu Dovi Road, Centpoint
G.P.O. Box 14416, Suva
Fiji Islands
Telephone: (679) 339 3111
Telefax: (679) 339 9897

Suva

Auckland

INDONESIA
PT Alucobond Far East Indonesia
Jl. Jalur Sutra Timur Kav 7A, No. 6
Alam Sutera Tangerang
Banten 15143
Indonesia
Mobile: (62) 8161968643
Email: hendry.halim@3acomposites.com
www.alucobond.co.id

JAPAN
3A Composites Asia Pacific Pte. Ltd.
300 Beach Road
#10-06 The Concourse
Singapore 199555
Telephone: (65) 6303 9750
Telefax: (65) 6303 9751
Email: sales@alucobond.com.sg
www.alucobond.com.sg

KOREA
Y B International Co.
Suite 503 Hyundai Bldg
649-4 Yuksam-Dong
Kangnam-ku, Seoul, Korea
Telephone: (82) 2 567 1261 / 3
Telefax: (82) 2 567 1264
Email: ybaluco@chcl.com
www.alucobond.co.kr

MALAYSIA
ACM Marketing Sdn Bhd
No. 27 Japan BPU 6
Bandar Puchong Utama
47100 Puchong
Selangor Darul Ehsan, Malaysia
Telephone: (60) 3 5882 3661
Telefax: (60) 3 5882 3662
Email: jasonlim@acm.com.my
www.alucobond.com.my

MYANMAR
Alu-Guardian Trading Company Ltd.
No. (7), Corner of Moe Kaung Street &
Aung Zaya Street (13) ward
Yankin Township, Yangon
Myanmar
Telephone: 09 791519000, 09791519111,
09 791519777
Email: htetyeimon.94@gmail.com

VIETNAM
**The Capital Industrial Trading Joint
Stock Company (Thudogroup)**
Lot F, Tan Hong Hoan Son Industrial Zone
Tien Du District
Bac Ninh Province
Vietnam
Telephone: (84) 90 410 2200
Email: alucobond.com.vn
www.alucobond.com.sg

PHILIPPINES
Fasclad, Inc.
Unit 2504 Atlantis Centre Condominium,
31 Annapolis St., Greenhills, San Juan,
Philippines 1502
Tel: (63) 2 634 4205, (63) 2 721 6171
Email: sales@fasclad.com
www.alucobond.ph

MANUFACTURER:
Alucobond Composites (Jiangsu) Ltd.
Zhonglou, Changzhou 213023 China
Telephone: 0519 8166 5766
Email: alucobond.china@3acomposites.com
www.alucobond.com.cn

NEW ZEALAND
The Building Agency
14 Link Drive
Wairau Valley
Auckland 0627
Telephone: (64) 09-4152669
Email: info@buildingagency.co.nz
www.thebuildingagency.co.nz

SINGAPORE
3A Composites Asia Pacific Pte. Ltd.
300 Beach Road
#10-06 The Concourse
Singapore 199555
Telephone: (65) 6303 9750
Telefax: (65) 6303 9751
Email: sales@alucobond.com.sg
www.alucobond.com.sg

SRI LANKA
JC Enterprises
657/2 Sirimavo Bandaranayake
Mawatha, Colombo 14
Sri Lanka
Telephone: (94) 11 238 5404 / 07
Telefax: (94) 11 238 5403
Email: jeykumar@stnet.lk

THAILAND
3A Composites Asia Pacific Pte. Ltd.
CP Tower 2 (Fortune Town)
Level 21, Unit 21, 1 Radchadapisek Road
Dindaeng, Dindaeng
Bangkok 10400
Thailand
Telephone: (66)206 7933 & (66)2026 7934
Email: sales@alucobond.com.sg
www.alucobond.com.sg

PAKISTAN
Jaffer Brothers (Pvt) Limited
Karachi Head Office
Citi Tower, 35-A, Block 6,
P.C.H.S., Shahr-e-Faisal,
Karachi 75400, Pakistan
UAN: +92 (21) 111-527-527
Fax: +92 (21) 3437-3073
+92 (21) 3435-0056
Email: malik.mohsin@jaffer.com
huzafa.khan@jaffer.com
www.jaffer.com

Vizone Innovations (Pvt.) Ltd.
40 C, Sunder Industrial Estate,
Raiwind Road,
Lahore - 55110,
Pakistan.
Telephone: +92 42 35297456,
+92 300 8496637,
+92 300 8706181
Email: info@vizone.com
kashif.rehman@vizone.com
www.vizone.com

ALUCOBOND® A2/PLUS

ALUCOLUX®

3A Composites GmbH

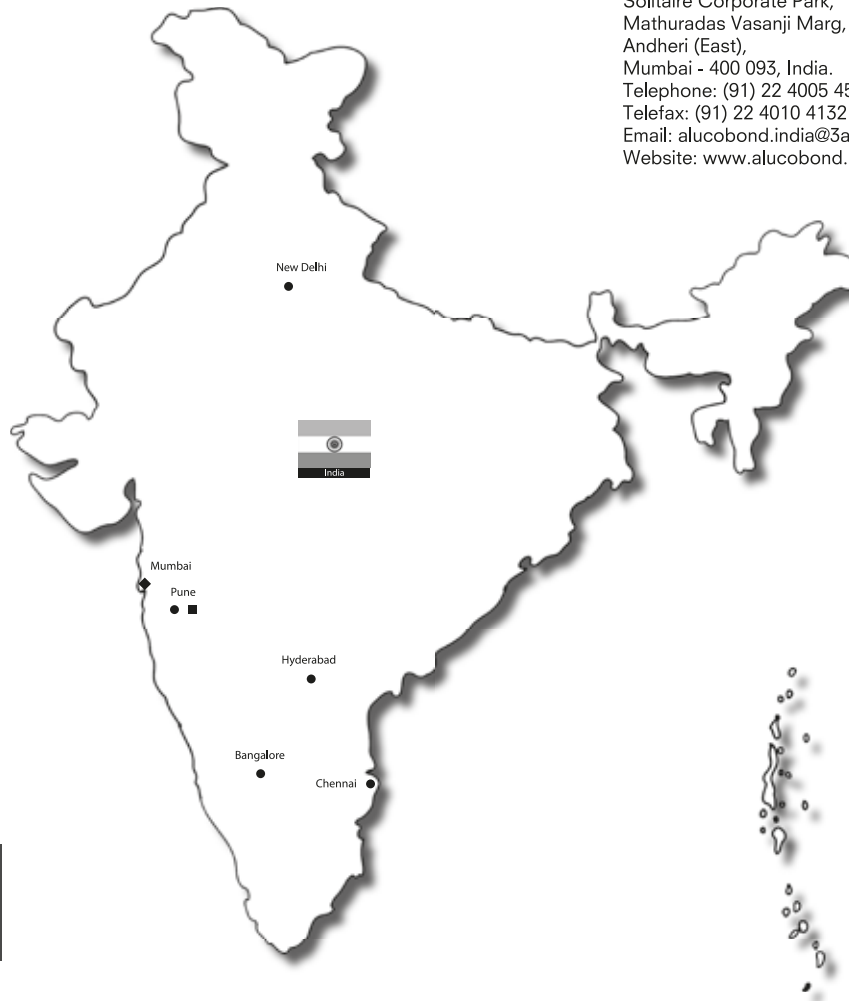
Alusingenplatz 1
78224 Singen
Germany
Phone: +49 7731 941-2060
Fax: +49 7731 941-2845
E-Mail: info@alucobond.com
www.alucobond.com



ALUCOBOND® A2 / PLUS / PE ALUCORE®

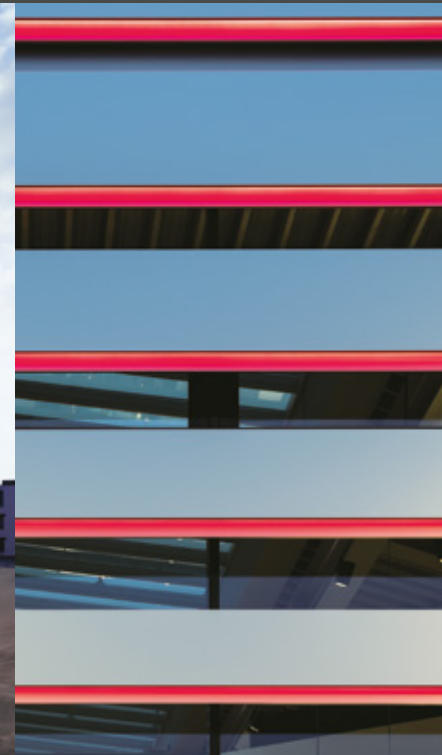
3A Composites India Pvt. Ltd.

Bldg. No. 11, Unit No. 1112, 1st Floor,
Solitaire Corporate Park,
Mathuradas Vasanji Marg,
Andheri (East),
Mumbai - 400 093, India.
Telephone: (91) 22 4005 4500
Telefax: (91) 22 4010 4132
Email: alucobond.india@3acomposites.com
Website: www.alucobond.in



- ◆ - Alucobond Head Office
- - Alucobond Plant
- - Alucobond Sales Offices

ALUCOBOND®



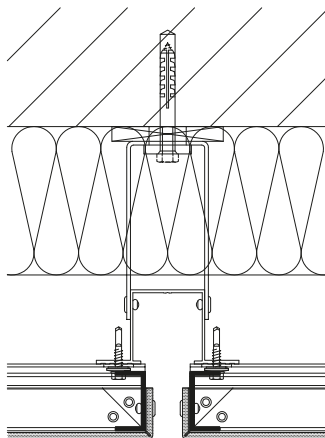
Porsche Centre | Dortmund, Germany

January 2022

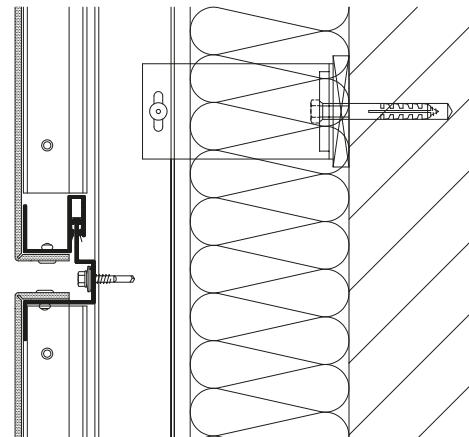
SAT	SUN	MON	TUE	WED	THU	FRI	SAT	SUN	MON	TUE	WED	THU	FRI	SAT	SUN	MON	TUE	WED	THU	FRI	SAT	SUN	MON	TUE	WED	THU	FRI	SAT	SUN	MON	
1	2	3	4	5	6	7	8	9	10	11	12	13	14	15	16	17	18	19	20	21	22	23	24	25	26	27	28	29	30	31	
				WK 1								WK 2								WK 3								WK 4			

ALUCOBOND®

Design | Construction ALUCOBOND® Tray Panels Special Design



Horizontal Section



Vertical Section

All drawings are for illustration only. For design details suitable for your location contact our technical service or ALUCOBOND® representative near you.

Porsche Centre
Dortmund | Germany

Building Owner	:	Hülpert Mobility Holding GmbH & Co. KG
Architect	:	MUTABOR
Fabricator/Installer	:	Athens GmbH & Co. KG
Completed Year	:	2020
Product	:	ALUCOBOND® PLUS 4mm
Surface Finish	:	PVDF / FEVE coil coated
Color	:	Silver Metallic (500)
Photo Credit	:	© BRANDSPACEPHOTOGRAPHY - André Müller

ALUCOBOND®



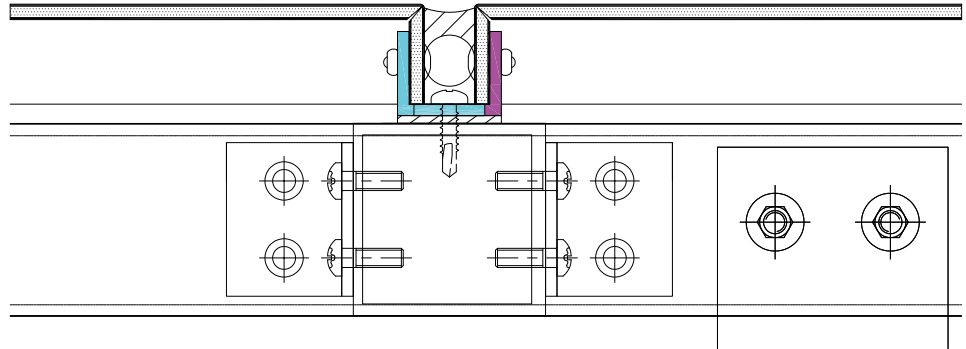
Starry Sky Art Museum | Kunming, China

February 2022

TUE	WED	THU	FRI	SAT	SUN	MON	TUE	WED	THU	FRI	SAT	SUN	MON	TUE	WED	THU	FRI	SAT	SUN	MON	TUE	WED	THU	FRI	SAT	SUN	MON
1	2	3	4	5	6	7	8	9	10	11	12	13	14	15	16	17	18	19	20	21	22	23	24	25	26	27	28
WK 5						WK 6						WK 7						WK 8									

ALUCOBOND®

Design | Construction ALUCOBOND® Tray Panel System – Sealed Joint



Joint Section

All drawings are for illustration only. For design details suitable for your location contact our technical service or ALUCOBOND® representative near you.

Starry Sky Art Museum
Kunming | China

Building Owner	: Junfa Group Co. Ltd.
Architect	: Maps design
Fabricator/Installer	: Yunnan Wanhe Construction Engineering Co. Ltd
Completed Year	: 2021
Product	: ALUCOBOND® PLUS 4mm
Surface Finish	: PVDF / FEVE coil coated
Color	: Spectra (9911); Wood Look (W004)
Photo Credit	: Mark Shen

ALUCOBOND®



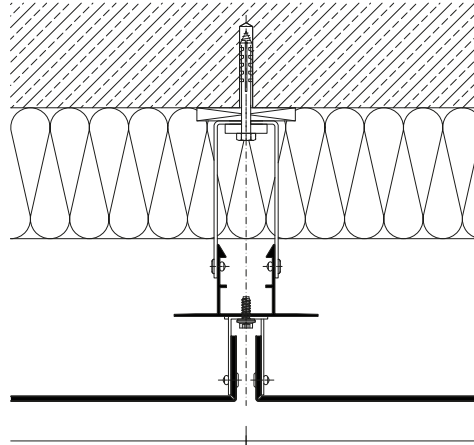
BCF-Arena | Fribourg, Switzerland

March 2022

TUE	WED	THU	FRI	SAT	SUN	MON	TUE	WED	THU	FRI	SAT	SUN	MON	TUE	WED	THU	FRI	SAT	SUN	MON	TUE	WED	THU							
1	2	3	4	5	6	7	8	9	10	11	12	13	14	15	16	17	18	19	20	21	22	23	24	25	26	27	28	29	30	31
WK 9					WK 10					WK 11					WK 12					WK 13										

ALUCOBOND®

Design | Construction ALUCOBOND® Tray Panels Special Design (Al Frame)



Horizontal Section

All drawings are for illustration only. For design details suitable for your location contact our technical service or ALUCOBOND® representative near you.

BCF-Arena
Fribourg | Switzerland

Building Owner	:	L'Antre SA
Architect	:	bfik architectes
Fabricator/Installer	:	Werkstätte Liechtblick
Completed Year	:	2020
Product	:	ALUCOBOND® A2 4mm
Surface Finish	:	PVDF / FEVE coil coated
Color	:	Silver Metallic (500)
Photo Credit	:	© Allega GmbH

ALUCOBOND®



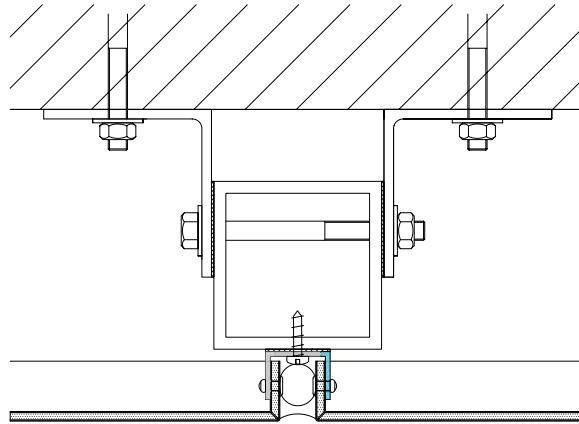
A M Naik Tower | Mumbai, India

April 2022

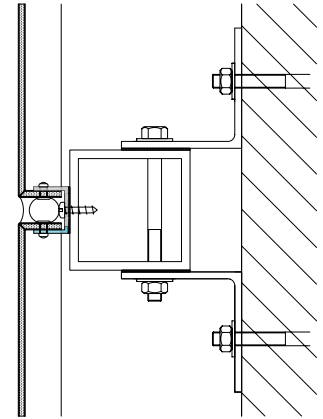
FRI	SAT	SUN	MON	TUE	WED	THU	FRI	SAT	SUN	MON	TUE	WED	THU	FRI	SAT	SUN	MON	TUE	WED	THU	FRI	SAT							
1	2	3	4	5	6	7	8	9	10	11	12	13	14	15	16	17	18	19	20	21	22	23	24	25	26	27	28	29	30
WK 14							WK 15							WK 16							WK 17								

ALUCOBOND®

Design | Construction ALUCOBOND® Tray Panel System – Sealed Joint



Horizontal Section



Vertical Section

All drawings are for illustration only. For design details suitable for your location contact our technical service or ALUCOBOND® representative near you.

A M Naik Tower
Mumbai | India

Building Owner	:	L&T
Architect	:	Callison, USA / BES Consultants Pvt. Ltd.
Fabricator/Installer	:	Truwall Specialities Pvt. Ltd.
Completed Year	:	2020
Product	:	ALUCOBOND® PLUS 4mm
Surface Finish	:	PVDF / FEVE coil coated
Color	:	Mild Silver Metallic (77121), Dark Silver Metallic (77120), Pure White (100)
Photo Credit	:	Rajeev Rai

ALUCOLUX®



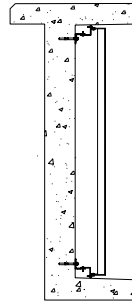
ESR BizPark I Changi, Singapore

May 2022

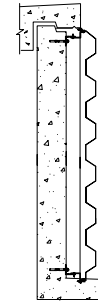
SUN	MON	TUE	WED	THU	FRI	SAT	SUN	MON	TUE	WED	THU	FRI	SAT	SUN	MON	TUE	WED	THU	FRI	SAT	SUN	MON	TUE							
1	2	3	4	5	6	7	8	9	10	11	12	13	14	15	16	17	18	19	20	21	22	23	24	25	26	27	28	29	30	31
WK 18							WK 19							WK 20							WK 21									

ALUCOLUX®

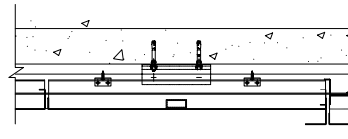
Design | Construction ALUCOLUX® Tray Panel System - Open Joint / Flat / Corrugated



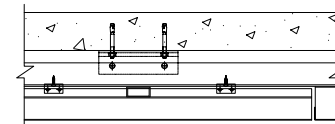
Vertical Section



Vertical Section



Horizontal Section



Vertical Section

All drawings are for illustration only. For design details suitable for your location contact our technical service or ALUCOBOND® representative near you.

ESR BizPark
Changi | Singapore

Building Owner : ESR-REIT
Architect : TA.LE Architects
Fabricator/Installer : Evergreen Engineering and Construction Pte. Ltd.
Completed Year : 2021
Product : ALUCOLUX® 1.5mm and 3mm
Surface Finish : PVDF
Color : Sunrise Silver Metallic (600)

ALUCOBOND®



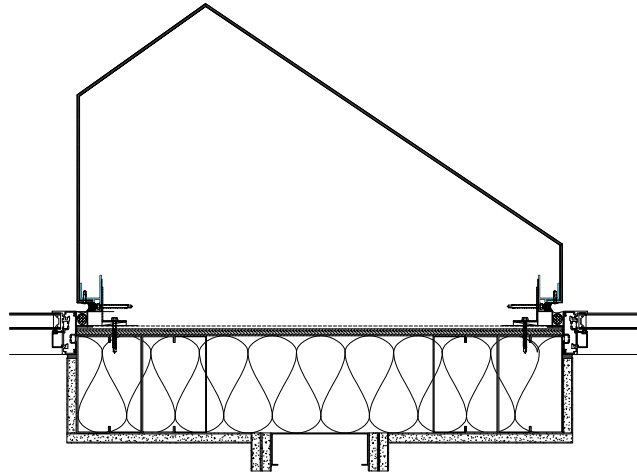
AC Hotel by Marriott Dallas by the Galleria | Dallas, TX, US

June 2022

WED	THU	FRI	SAT	SUN	MON	TUE	WED	THU	FRI	SAT	SUN	MON	TUE	WED	THU	FRI	SAT	SUN	MON	TUE	WED	THU	FRI	SAT	SUN	MON	TUE	WED	THU
1	2	3	4	5	6	7	8	9	10	11	12	13	14	15	16	17	18	19	20	21	22	23	24	25	26	27	28	29	30
WK 22				WK 23				WK 24				WK 25				WK 26													

ALUCOBOND®

Design | Construction ALUCOBOND® Tray Panel System – Special Design



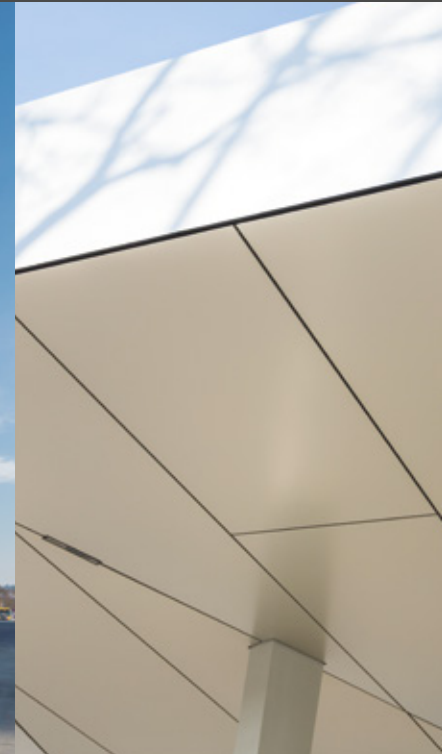
Joint Section

All drawings are for illustration only. For design details suitable for your location contact our technical service or ALUCOBOND® representative near you.

AC Hotel by Marriott Dallas
by the Galleria
Dallas, TX | US

Building Owner	:	Pacific Hospitality Group (PHG)
Architect	:	5G Studios
Fabricator/Installer	:	NOW Specialties
Completed Year	:	2018
Product	:	ALUCOBOND® PLUS 4mm
Surface Finish	:	PVDF 2
Color	:	Alabaster
Photo Credit	:	© Adam Mork Photography

ALUCOBOND®



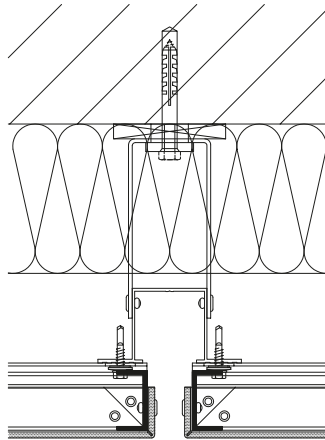
Bus Station | Singen, Germany

July 2022

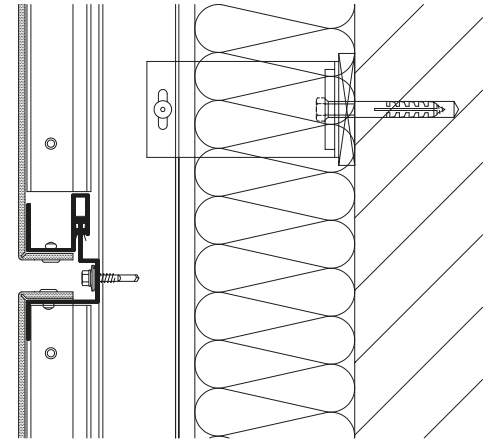
FRI	SAT	SUN	MON	TUE	WED	THU	FRI	SAT	SUN	MON	TUE	WED	THU	FRI	SAT	SUN	MON	TUE	WED	THU	FRI	SAT	SUN							
1	2	3	4	5	6	7	8	9	10	11	12	13	14	15	16	17	18	19	20	21	22	23	24	25	26	27	28	29	30	31
WK 27							WK 28							WK 29							WK 30									

ALUCOBOND®

Design | Construction ALUCOBOND® SZ 20 Tray Panel System – Tongue and Groove



Horizontal Section



Vertical Section

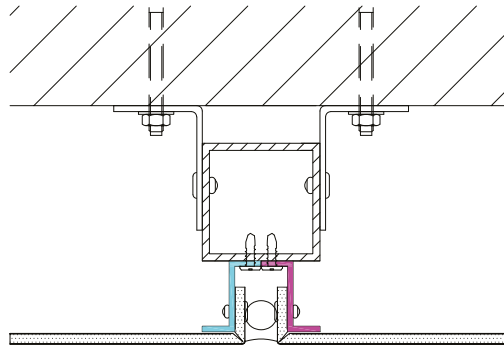
All drawings are for illustration only. For design details suitable for your location contact our technical service or ALUCOBOND® representative near you.

Bus Station
Singen | Germany

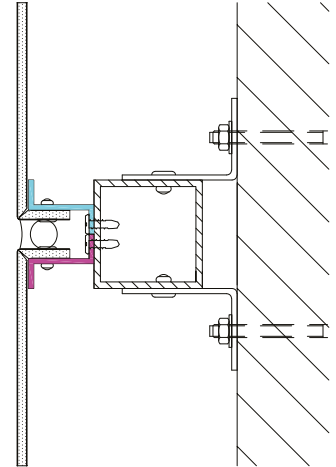
Building Owner : Stadt Singen
Architect : K9 Architekten
Fabricator/Installer : Haller Industriebau GmbH
Completed Year : 2020
Product : ALUCOBOND® A2 4mm
Surface Finish : PVDF / FEVE coil coated
Color : Champagne Metallic (503)
Photo Credit : ©Elisabeth Leblanc

ALUCOBOND®

Design | Construction ALUCOBOND® Tray Panel System - Sealed Joint



Horizontal Section



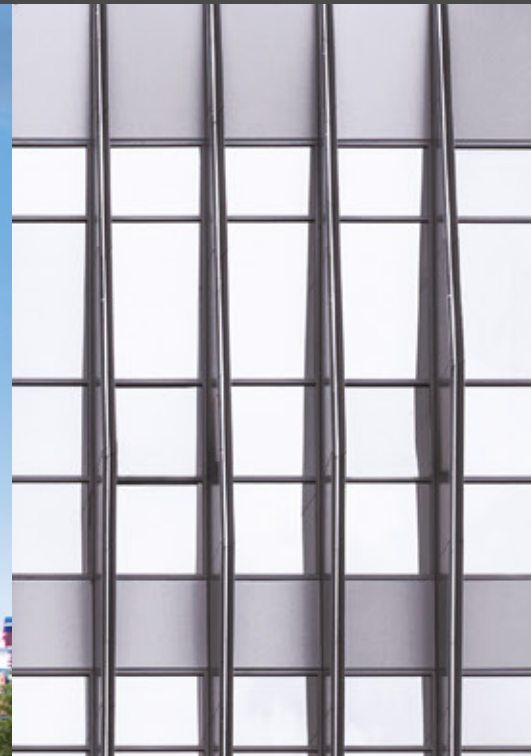
Vertical Section

All drawings are for illustration only. For design details suitable for your location contact our technical service or ALUCOBOND® representative near you.

ChangWon HanMaUem Hospital
ChangWon | South Korea

Building Owner : HanYang University
Architect : JungLim Architecture
Fabricator/Installer : HyunDai Aluminium Company
Completed Year : 2021
Product : ALUCOBOND® PLUS 4mm
Surface Finish : PVDF / FEVE coil coated
Color : Silver Metallic (500)
Photo Credit : Yoon, Joonhwan

ALUCOBOND®



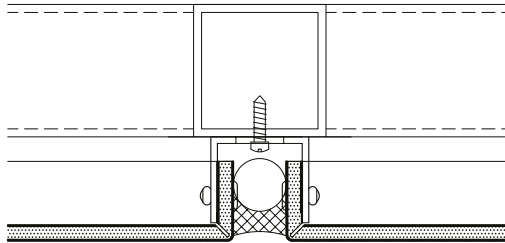
TK Central | Phnom Penh, Cambodia

September 2022

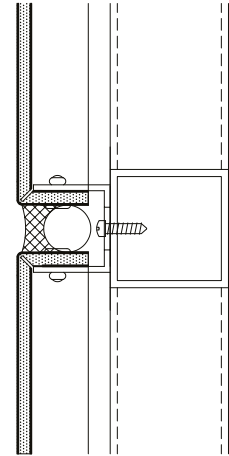
THU	FRI	SAT	SUN	MON	TUE	WED	THU	FRI	SAT	SUN	MON	TUE	WED	THU	FRI	SAT	SUN	MON	TUE	WED	THU	FRI							
1	2	3	4	5	6	7	8	9	10	11	12	13	14	15	16	17	18	19	20	21	22	23	24	25	26	27	28	29	30
WK 35				WK 36				WK 37				WK 38				WK 39													

ALUCOBOND®

Design | Construction ALUCOBOND® Tray Panel System - Sealed Joint



Horizontal Section



Vertical Section

All drawings are for illustration only. For design details suitable for your location contact our technical service or ALUCOBOND® representative near you.

TK Central
Phnom Penh | Cambodia

Building Owner	:	Parbury Investments
Architect	:	Basic Builds
Fabricator/Installer	:	ASBIC
Completed Year	:	2019 (Phase 1)
Product	:	ALUCOBOND® PLUS 4mm and ALUCOBOND® PE 4mm
Surface Finish	:	PVDF / FEVE coil coated
Color	:	Grey Metallic (502)
Photo Credit	:	©Robert Kleiner Photography

ALUCOBOND®



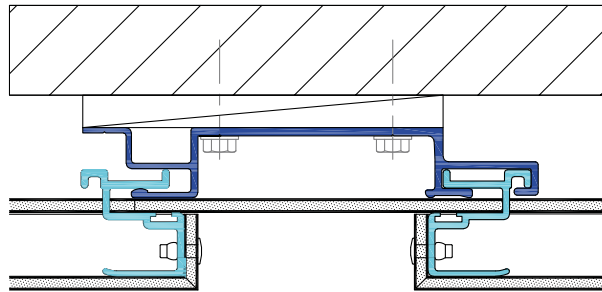
Nils K. Nelson Bioscience Innovation Building | Hammond, IN, US

October 2022

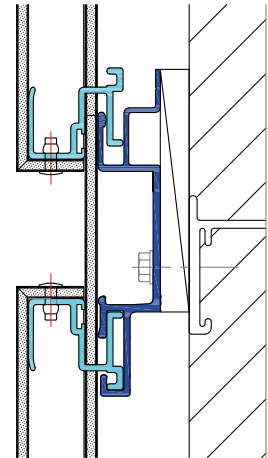
SAT	SUN	MON	TUE	WED	THU	FRI	SAT	SUN	MON	TUE	WED	THU	FRI	SAT	SUN	MON	TUE	WED	THU	FRI	SAT	SUN	MON	TUE	WED	THU	FRI	SAT	SUN	MON
1	2	3	4	5	6	7	8	9	10	11	12	13	14	15	16	17	18	19	20	21	22	23	24	25	26	27	28	29	30	31
WK 40							WK 41							WK 42							WK 43									

ALUCOBOND®

Design | Construction ALUCOBOND® Tray Panel System - Special design



Horizontal Section



Vertical Section

All drawings are for illustration only. For design details suitable for your location contact our technical service or ALUCOBOND® representative near you.

Nils K. Nelson Bioscience
Innovation Building
Hammond, IN | US

Building Owner : Purdue University Northwest
Architect : CannonDesign
Fabricator/Installer : Shaffner Heaney Associates / Crown Corr, Inc.
Completed Year : 2020
Product : ALUCOBOND® PLUS 4mm
Surface Finish : PVDF 3
Color : Silver Metallic, Brilliant Silver Metallic
Photo Credit : © Mark Kempf Photography

ALUCOBOND®



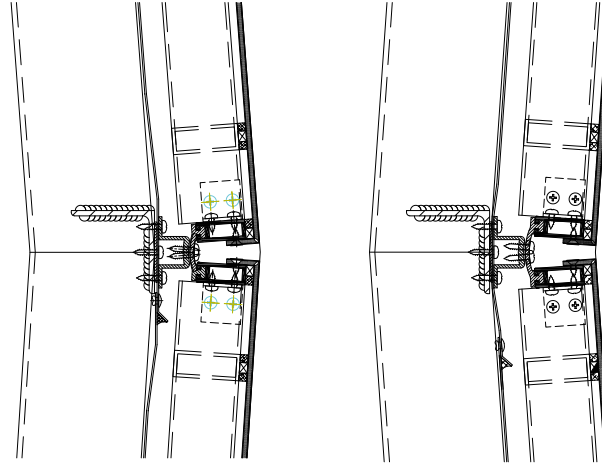
Wintastar - Shanghai Lingang Ski Resort Twin Hotel | Shanghai, China

November 2022

TUE	WED	THU	FRI	SAT	SUN	MON	TUE	WED	THU	FRI	SAT	SUN	MON	TUE	WED	THU	FRI	SAT	SUN	MON	TUE	WED							
1	2	3	4	5	6	7	8	9	10	11	12	13	14	15	16	17	18	19	20	21	22	23	24	25	26	27	28	29	30
WK 44						WK 45						WK 46						WK 47											

ALUCOBOND®

Design | Construction ALUCOBOND® Tray Panel System – Perforated / Non Perforated Screen



Joint Section

All drawings are for illustration only. For design details suitable for your location contact our technical service or ALUCOBOND® representative near you.

Wintastar - Shanghai Lingang
Ski Resort Twin Hotel
Shanghai | China

Building Owner	:	Shanghai Yaoxue Real Estate Co. Ltd.
Architect	:	Mercurio Design Lab
Fabricator/Installer	:	Sanxin Facade
Completed Year	:	2021
Product	:	ALUCOBOND® PLUS 4mm
Surface Finish	:	PVDF / FEVE coil coated
Color	:	Custom Grey
Photo Credit	:	Mark Shen

ALUCOBOND®



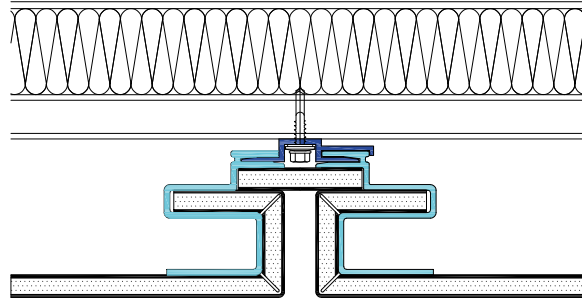
Highlands Oncology | Springdale, AR, US

December 2022

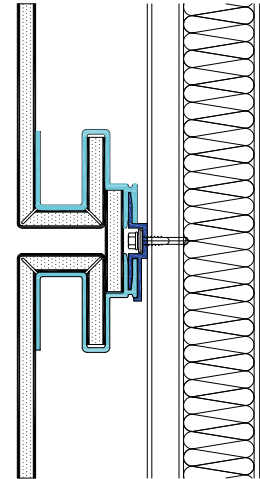
THU	FRI	SAT	SUN	MON	TUE	WED	THU	FRI	SAT	SUN	MON	TUE	WED	THU	FRI	SAT	SUN	MON	TUE	WED	THU	FRI	SAT							
1	2	3	4	5	6	7	8	9	10	11	12	13	14	15	16	17	18	19	20	21	22	23	24	25	26	27	28	29	30	31
WK 48				WK 49				WK 50				WK 51				WK 52														

ALUCOBOND®

Design | Construction ALUCOBOND® Tray Panel System – Special design



Horizontal Section



Vertical Section

All drawings are for illustration only. For design details suitable for your location contact our technical service or ALUCOBOND® representative near you.

Highlands Oncology
Springdale, AR | US

Building Owner	:	Highlands Oncology Group
Architect	:	Crafton Tull
Fabricator/Installer	:	Ace Glass Construction Corp.
Completed Year	:	2020
Product	:	ALUCOBOND® PLUS 4mm
Surface Finish	:	FEVE coil coated
Color	:	Brushed Carbon
Photo Credit	:	© Photos courtesy of Ace Glass Construction Corp./Ace Glass Manufacturing Corp.