

ALUCOBOND®
ALUCOLUX®

2023



ALUCOBOND®A2 / PLUS / PE
ALUCORE®
ALUCOLUX®

3A Composites India Pvt. Ltd.

Bldg. No. 11, Unit No. 1112, 1st Floor,
Solitaire Corporate Park,
Mathuradas Vasanji Marg,
Andheri (East),
Mumbai - 400 093, India.
Telephone: (91) 22 4005 4500
Telefax: (91) 22 4010 4132
Email: alucobond.india@3acomposites.com
Website: www.alucobond.in



- ◆ - Alucobond Head Office
- - Alucobond Plant
- - Alucobond Sales Offices

ALUCOBOND® A2 / PLUS / PE
ALUCORE® CLAD
ALUCOLUX®

3A Composites (China) Ltd.

Room 1902-1903
Hongkong Prosperity Tower
Mengzi Road No. 763
Huangpu Shanghai
China
Telephone: 021 6315 8550
Email: alucobond.china@3acomposites.com
www.alucobond.com.cn

思瑞安复合材料(中国)有限公司
中国

上海市
蒙自路763号
丰盛创建大厦
1902-1903室
电话: 021 6315 8550
电邮: alucobond.china@3acomposites.com
www.alucobond.com.cn

Alucobond Composites (Jiangsu) Ltd.

10 South Hehuan Road
Zhonglou District, Changzhou, China - 213023
Telephone: 0519 8166 5766

阿鲁克邦复合材料(江苏)有限公司
中国江苏省常州市钟楼区
合欢南路10号
邮编: 213023
电话: 0519 8166 5766

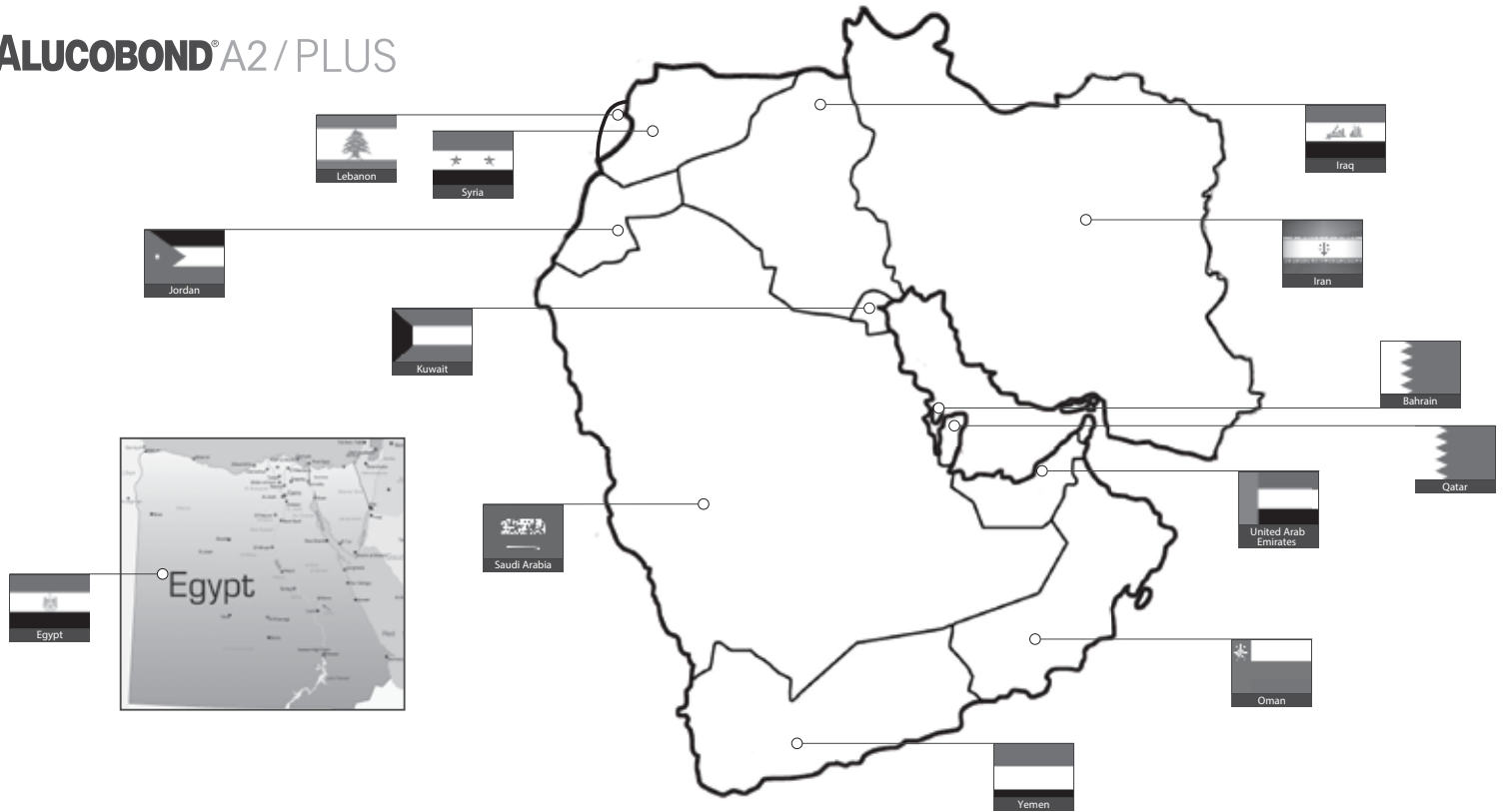
SALES OFFICE IN BEIJING:

Beijing. 3A Composites (China) Ltd.
No. 87 Hegezhuang
Chaoyang District, Beijing, China - 100103
Telephone: 010 6552 6755

思瑞安复合材料(中国)有限公司 北京办事处
中国北京市朝阳区何各庄87号院
邮编:100103
电话:010 6552 6755

For more information, please contact us.
如有需求, 敬请联络

ALUCOBOND® A2/PLUS



MIDDLE EAST SUPPORT CENTRE:

3A Composites Middle East (Branch)

Almas Tower, JLT
P.O Box: 343522
Dubai
United Arab Emirates
Mobile: +971 58 535 1721
Email: basel.massis@3acomposites.com
www.alucobond.com

FAR EAST SUPPORT CENTRE:

3A Composites Asia Pacific Pte. Ltd.

300 Beach Road
#10-06 The Concourse
Singapore 199555
Telephone: (65) 6303 9750
Telefax: (65) 6303 9751
Email: sales@alucobond.com.sg
www.alucobond.com.sg

MANUFACTURER:

3A Composites Gmbh

Alusingenplatz 1
78224 Singen, Germany
Telephone: (49) 7731 941 2347
Email: info@alucobond.com
www.alucobond.com

MANUFACTURER:

3A Composites (China) Ltd.

Room 1902-1903
Hongkong Prosperity Tower
Mengzi Road No. 763
Huangpu Shanghai
China
Telephone: 021 6315 8550
Email: alucobond.china@3acomposites.com
www.alucobond.com.cn

MANUFACTURER:

3A Composites India Pvt. Ltd.

Bldg. No. 11, Unit No. 1112, 1st Floor
Solitaire Corporate Park
Mathuradas VasANJI Marg
Andheri (East)
Mumbai - 400 093, India
Telephone: (91) 22 4005 4500
Telefax: (91) 22 4010 4132
Email: alucobond.india@3acomposites.com
www.alucobond.in

ALUCOBOND® A2/PLUS



Manufacturing, Technical Service & Customer Relations

3A Composites USA
208 W. 5th Street
Benton, KY 42025
800-626-3365
270-527-4200

Davidson, NC Headquarters

3A Composites USA
721 Jetton Street, Suite 325
Davidson, NC 28036
Nick Scheib
General Manager, Architectural Division
800-626-3365
info.usa@3acomposites.com

ALUCOBOND® A2 / PLUS / PE

ALUCORE®

ALUCOLUX®



DISTRIBUTORS/AGENTS:

AUSTRALIA
Alucobond Architectural
A Division of Halifax Vogel Pty Limited
 25 West Park Drive
 Derrimut Victoria 3012
 Australia
 Telephone: (61) 3 9394 3131
 Telefax: (61) 3 9394 3129
 Email: info@alucobond.com.au
 www.alucobond.com.au

BANGLADESH
Housing & Technology Limited
 Gagan Shrish (2nd Floor)
 76, 76/1 East Raza Bazar
 Panthapath, Dhaka 1215
 Bangladesh
 Telephone: (880) 2 814 5765/815 1146
 Telefax: (880) 2 814 4180
 Email: ht@hbd.com
 www.alucobond.com.bd

BRUNEI
Maju Jaya Sdn Bhd
 Unit 5, Ground Floor
 Simpang 607-17 Beribi Complex
 Jalan Gadong BE118
 Bandar Seri Begawan
 Brunei Darussalam
 Telephone: (673) 2 653 950/952
 Telefax: (673) 2 653 971
 Email: majujayasdnbhd8727@gmail.com
 admin@majujaya168.com
 www.alucobond.com.bn

CAMBODIA
Parbury Investments Co., Ltd
 TK Central Building 16F St.287, Phum 13,
 SK Boeung Kok 1, Kh Toul Kork,
 Phnom Penh, Cambodia
 Telephone: +855 (0) 23 901 931
 Email: seakkhun.heng@parbury.com.kh
 info@parbury.com.kh
 www.parbury.com.kh

FII ISLANDS
Vinod Patel & Co. Ltd.
 1 Ratu Dovi Road, Centpoint
 G.P.O Box 14416, Suva
 Fiji Islands
 Telephone: (679) 339 3111
 Telefax: (679) 339 9897

INDONESIA
PT Alucobond Far East Indonesia
 Jl. Jaker Suter Timur Kav 7A, No. 6
 Alam Sutra Tangerang
 Banten 15143
 Indonesia
 Mobile: (62) 8161968643
 Email: hendry.halim@3Acomposites.com
 www.alucobond.co.id

JAPAN
3A Composites Asia Pacific Pte. Ltd.
 300 Beach Road
 #10-06 The Concourse
 Singapore 199555
 Telephone: (65) 6303 9750
 Telefax: (65) 6303 9751
 Email: sales@alucobond.com.sg
 www.alucobond.com.sg

KOREA
Y B International Co.
 Suite 503 Handuk Bldg
 649-4 Yuksam-Dong
 Kangnam-ku, Seoul, Korea
 Telephone: (82) 2 567 1261/3
 Telefax: (82) 2 567 1264
 Email: ybaluco@chol.com
 www.alucobond.co.kr

MAKATA
ACM Marketing Sdn Bhd
 No. 27 Japan BPU 6
 Bandar Puchong Utama
 47100 Puchong
 Selangor Darul Ehsan, Malaysia
 Telephone: (60) 3 5882 3661
 Telefax: (60) 3 5882 3662
 Email: jasonlim@acmm.com.my
 www.alucobond.com.my

MYANMAR
Alu-Guardian Trading Company Ltd.
 No.(7), Corner of Moe Kaung Street &
 Aung Zaya Street (13) ward
 Yankin Township, Yangon
 Myanmar
 Telephone: 09 791519000, 09791519111,
 09 791519777
 Email: hteteemone.94@gmail.com

PAKISTAN
Jaffer Brothers (Pvt) Limited
 Karachi Head Office
 Citi Tower, 33-A, Block 6,
 P.E.C.H.S., Shahrah-e-Faisal,
 Karachi 75400, Pakistan.
 UAN: +92 (21) 111-527-527
 Fax: +92 (21) 3437-3073
 0300-8580451 / 0345-2699056
 Email: malik.mohsin@jaffer.com
 huzafa.khan@jaffer.com
 www.jaffer.com

PHILIPPINES
Fasclad, Inc.
 Unit 2504 Atlanta Centre Condominium,
 31 Annapolis St., Greenhills, San Juan,
 Philippines 1502
 Tel: (63) 2 634 4205 / (63) 2 721 6171
 Email: sales@fasclad.com
 www.alucobond.ph

NEW ZEALAND
The Building Agency
 14 Link Drive
 Wairau Valley
 Auckland 0627
 Telephone: (64) 09-4152669
 Email: info@buildingagency.co.nz
 www.thebuildingagency.co.nz

SINGAPORE
3A Composites Asia Pacific Pte. Ltd.
 300 Beach Road
 #10-06 The Concourse
 Singapore 199555
 Telephone: (65) 6303 9750
 Telefax: (65) 6303 9751
 Email: sales@alucobond.com.sg
 www.alucobond.com.sg

SRI LANKA
JC Enterprises
 637/2 Sirimavo Bandaranayake
 Mawatha, Colombo 14
 Sri Lanka
 Telephone: (94) 11 238 5404/07
 Telefax: (94) 11 238 5405
 Email: jeykumar@stnet.lk

THAILAND
3A Composites Asia Pacific Pte. Ltd.
 CP Tower 2 (Fortune Town)
 Level 21, Unit 21, 1 Radchatapiet Road
 Dindaeng, Dindaeng
 Bangkok 10400
 Thailand
 Telephone: (66)2026 7933 & (66)2026 7934
 Email: sales@alucobond.com.sg
 www.alucobond.com.sg

VIETNAM
The Capital Industrial Trading Joint Stock Company (Thudogroup)
 Lot F, Tan Hong Hoan Son Industrial Zone
 Tien Du District
 Bac Ninh Province
 Vietnam
 Tel: (84) 989 301 488
 Email: info@thudogroup.vn
 www.alucobond.com.sg

3A Composites Asia Pacific Pte. Ltd.
 300 Beach Road
 #10-06 The Concourse
 Singapore 199555
 Telephone: (65) 6303 9750
 Telefax: (65) 6303 9751
 Email: sales@alucobond.com.sg
 www.alucobond.com.sg

MANUFACTURER:
3A Composites Gmbh
 Alusingen-Platz 1
 78224 Singen, Germany
 Telephone: (49) 7731 802 802
 Email: info@alucobond.com
 www.alucobond.com

- ◆ - Alucobond Head Office
- - Alucobond Plant
- - Alucobond Sales Offices

MANUFACTURER:
Alucobond Composites (Jaingsu) Ltd.
 10 South Hehuan Road
 Zhonglou, Changzhou 213023 China
 Telephone: 0519 8166 5766
 Email: alucobond.china@3Acomposites.com
 www.alucobond.com.cn

MANUFACTURER:
3A Composites India Pvt. Ltd.
 Bldg. No. 11, Unit No. 1112, 1st Floor
 Solitaire Corporate Park, Mathuradas Vasani Marg
 Chakala, Andheri (East), Mumbai-400 033, India
 Telephone: (91) 22 4256 4500
 Telefax: (91) 22 4256 4545
 Email: alucobond.india@3Acomposites.com
 Website: www.alucobond.in | www.3Acomposites.com

ALUCOBOND® A2 / PLUS / PE

ALUCORE®

ALUCOLUX®



3A Composites GmbH

Alusingenplatz 1
78224 Singen
Germany
Phone: +49 7731 941-2060
E-Mail: info@alucobond.com
www.alucobond.com



ALUCOBOND®



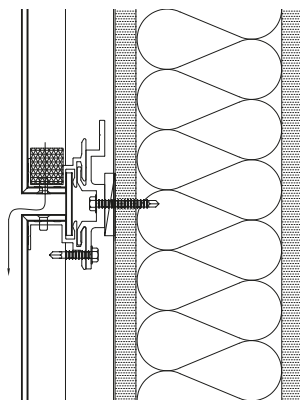
NCL Terminal B - The Pearl of Miami | Florida, US

January 2023

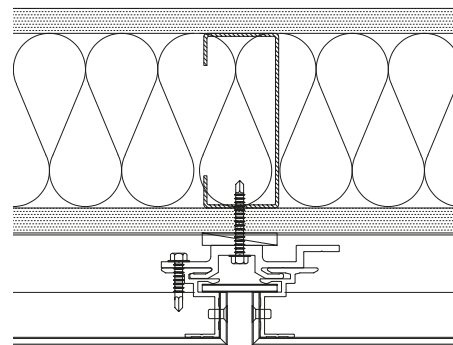
SUN	MON	TUE	WED	THU	FRI	SAT	SUN	MON	TUE	WED	THU	FRI	SAT	SUN	MON	TUE	WED	THU	FRI	SAT	SUN	MON	TUE	WED	THU	FRI	SAT	SUN	MON	TUE
1	2	3	4	5	6	7	8	9	10	11	12	13	14	15	16	17	18	19	20	21	22	23	24	25	26	27	28	29	30	31
WK 1							WK 2							WK 3							WK 4									

ALUCOBOND®

Design | Construction ALUCOBOND® Rainscreen System - I



Horizontal Section



Vertical Section

All drawings are for illustration only. For design details suitable for your location contact our technical service or ALUCOBOND® representative near you.

NCL Terminal B
The Pearl of Miami
Florida | US

Building Owner	:	Norwegian Cruise Line Holdings Ltd.
Architect	:	Bermello Ajamil & Partners, Inc.
Fabricator	:	MillerClapperton and Paradise Awnings
Installer	:	Lotspeich
Completed Year	:	2021
Product	:	ALUCOBOND® PLUS 4mm
Surface Finish	:	PVDF-3
Color	:	Custom Norwegian White
Photo Credit	:	© 3A Composites USA

ALUCOBOND®



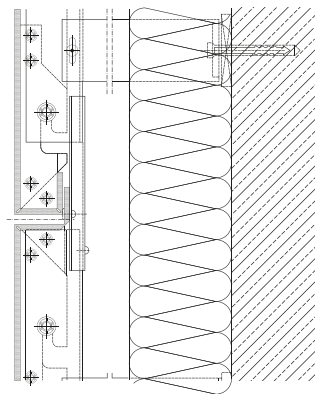
Cukrarna Gallery | Ljubljana, Slovenia

February 2023

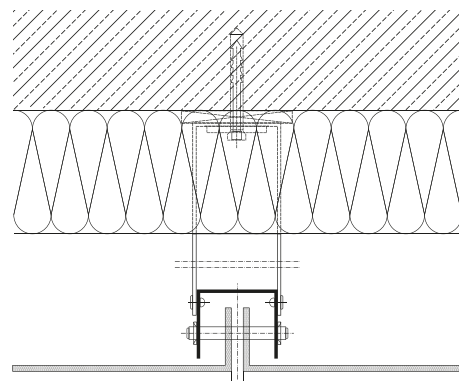
WED	THU	FRI	SAT	SUN	MON	TUE	WED	THU	FRI	SAT	SUN	MON	TUE	WED	THU	FRI	SAT	SUN	MON	TUE							
1	2	3	4	5	6	7	8	9	10	11	12	13	14	15	16	17	18	19	20	21	22	23	24	25	26	27	28
WK 5					WK 6					WK 7					WK 8												

ALUCOBOND®

Design | Construction ALUCOBOND® Tray Panel Suspended



Horizontal Section



Vertical Section

All drawings are for illustration only. For design details suitable for your location contact our technical service or ALUCOBOND® representative near you.

Cukrarna Gallery
Ljubljana | Slovenia

Building Owner : Municipality of Ljubljana
Architect : Scapelab d.o.o. Ljubljana
Fabricator/Installer : Prost Prostor d.o.o.
Completed Year : 2021
Product : ALUCOBOND® PLUS 4mm
Surface Finish : PVDF / FEVE coil coated
Color : Pure White 10 (100)
Photo Credit : © Miran Kambič

ALUCOBOND®



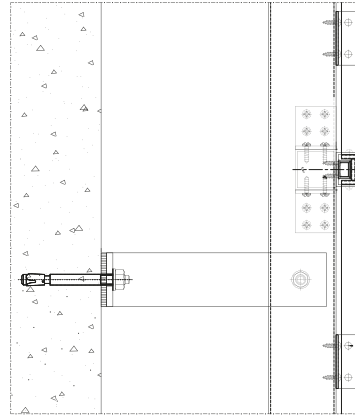
Windsor Grand | Noida, India

March 2023

WED	THU	FRI	SAT	SUN	MON	TUE	WED	THU	FRI	SAT	SUN	MON	TUE	WED	THU	FRI	SAT	SUN	MON	TUE	WED	THU	FRI							
1	2	3	4	5	6	7	8	9	10	11	12	13	14	15	16	17	18	19	20	21	22	23	24	25	26	27	28	29	30	31
WK 9				WK 10				WK 11				WK 12				WK 13														

ALUCOBOND®

Design | Construction ALUCOBOND® Dry Seal System- Metal Strip Joint



Typical Section

All drawings are for illustration only. For design details suitable for your location contact our technical service or ALUCOBOND® representative near you.

Windsor Grand
Noida | India

Building Owner	:	Star Propwell Pvt. Ltd.
Architect	:	STA Design Studio Pvt. Ltd.
Fabricator/Installer	:	Faalcon Concepts Pvt. Ltd.
Completed Year	:	2022
Product	:	ALUCOBOND® PE 4mm
Surface Finish	:	PVDF / FEVE coil coated
Color	:	Pure White (100) & Grey Metallic (502)
Photo Credit	:	Rohit Kumar

ALUCOBOND®



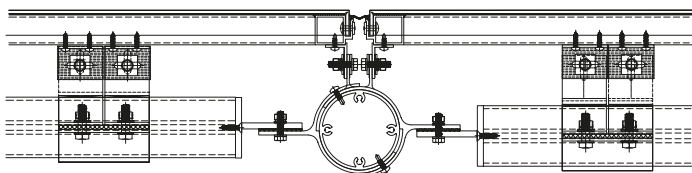
UFO Arts Center | Qingdao, China

April 2023

SAT	SUN	MON	TUE	WED	THU	FRI	SAT	SUN	MON	TUE	WED	THU	FRI	SAT	SUN	MON	TUE	WED	THU	FRI	SAT	SUN	MON	TUE	WED	THU	FRI	SAT	SUN
1	2	3	4	5	6	7	8	9	10	11	12	13	14	15	16	17	18	19	20	21	22	23	24	25	26	27	28	29	30
				WK 14				WK 15				WK 16				WK 17													

ALUCOBOND®

Design | Construction ALUCOBOND® Dry Seal System- EPDM Sealing Strip Joint



Typical section

All drawings are for illustration only. For design details suitable for your location contact our technical service or ALUCOBOND® representative near you.

UFO Arts Center
Qingdao | China

Building Owner : 青岛信宇置业有限公司 (Qingdao Xinyu Real Estate Co. Ltd.)
Architect : CCDI
Fabricator/Installer : China Construction Shenzhen Decoration Co. Ltd & Yuanpeng Group
Completed Year : 2022
Product : ALUCOBOND® PLUS & ALUCOBOND® A2
Surface Finish : PVDF / FEVE coil coated
Color : Terra (8380), Terra (8381)
Photo Credit : © Mark Shen

ALUCOBOND®



KNPC Petrol Filling Station | Sabah Al Ahmed City, Kuwait

May 2023

MON	TUE	WED	THU	FRI	SAT	SUN	MON	TUE	WED	THU	FRI	SAT	SUN	MON	TUE	WED	THU	FRI	SAT	SUN	MON	TUE	WED	THU	FRI	SAT	SUN	MON	TUE	WED
1	2	3	4	5	6	7	8	9	10	11	12	13	14	15	16	17	18	19	20	21	22	23	24	25	26	27	28	29	30	31

WK 18

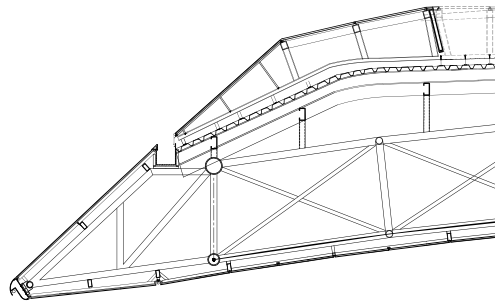
WK 19

WK 20

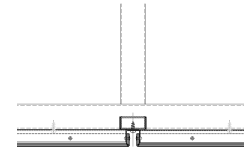
WK 21

ALUCOBOND®

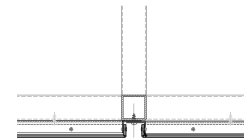
Design | Construction ALUCOBOND® Rear Ventilation System- Open Joint



Typical Section



Detail-01



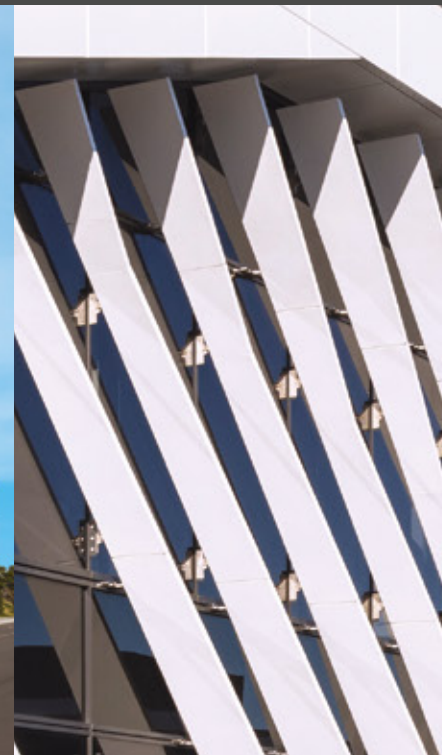
Detail - 2

All drawings are for illustration only. For design details suitable for your location contact our technical service or ALUCOBOND® representative near you.

KNPC Petrol Filling Station
Sabah Al Ahmed City | Kuwait

Building Owner : Kuwait National Petroleum Company (KNPC)
Architect : Pan Arab Consulting Engineers (PACE)
Fabricator/Installer : United Aluminum & Metal Coating Co (UAMCCO)
Completed Year : 2020
Product : ALUCOBOND® A2 4mm
Surface Finish : PVDF / FEVE coil coated
Color : Himmelblau ca. RAL 5015 3S (Blue),
Cremeweiss ca. RAL 9001 3S (Creme White)

ALUCOLUX®



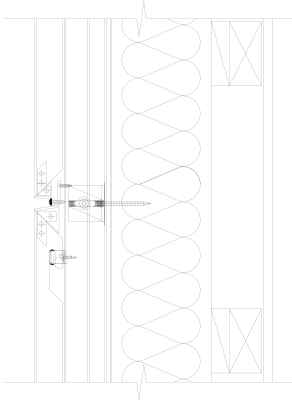
Timberly Road | Auckland, New Zealand

June 2023

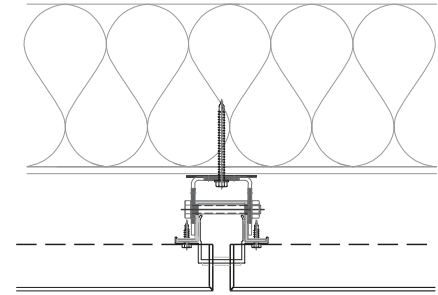
THU	FRI	SAT	SUN	MON	TUE	WED	THU	FRI	SAT	SUN	MON	TUE	WED	THU	FRI	SAT	SUN	MON	TUE	WED	THU	FRI							
1	2	3	4	5	6	7	8	9	10	11	12	13	14	15	16	17	18	19	20	21	22	23	24	25	26	27	28	29	30
WK 22				WK 23				WK 24				WK 25				WK 26													

ALUCOLUX®

Design | Construction ALUCOLUX® Rear Ventilation System- Hook On System



Horizontal Section



Vertical Section

All drawings are for illustration only. For design details suitable for your location contact our technical service or ALUCOBOND® representative near you.

Timberly Road
Auckland | New Zealand

Building Owner : Geodis Office and Warehouse
Architect : Eclipse Architecture
Fabricator/Installer : Symonite
Completed Year : 2021
Product : Alucolux
Surface Finish : PVDF / FEVE coil coated
Color : Pure White 10 (100)
Photo Credit : © Mark Scowen

ALUCOBOND®



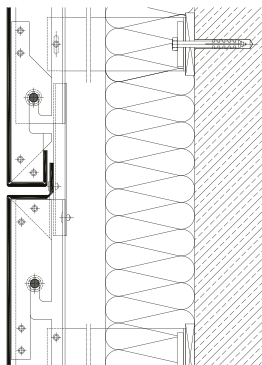
OurDomain | Rotterdam, Netherlands

July 2023

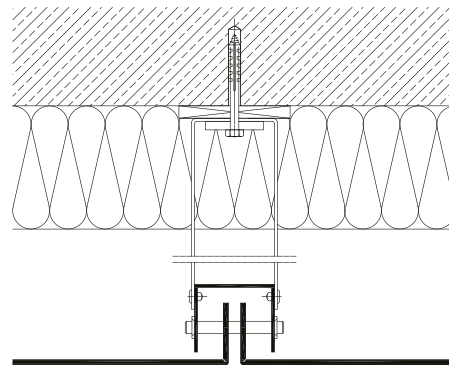
SAT	SUN	MON	TUE	WED	THU	FRI	SAT	SUN	MON	TUE	WED	THU	FRI	SAT	SUN	MON	TUE	WED	THU	FRI	SAT	SUN	MON	TUE	WED	THU	FRI	SAT	SUN	MON
1	2	3	4	5	6	7	8	9	10	11	12	13	14	15	16	17	18	19	20	21	22	23	24	25	26	27	28	29	30	31
WK 27							WK 28							WK 29							WK 30									

ALUCOBOND®

Design | Construction ALUCOBOND® Tray Panels Suspended - Special Design



Horizontal Section



Vertical Section

All drawings are for illustration only. For design details suitable for your location contact our technical service or ALUCOBOND® representative near you.

OurDomain
Rotterdam | Netherlands

Building Owner : Stebru in collaboration with Greystar
Architect : Tangram Architecten
Fabricator/Installer : W VH Gevelprojecten B.V.
Completed Year : 2021
Product : ALUCOBOND® PLUS 4mm
Surface Finish : Real anodised
Color : Premium anodised PANELOX® AluBronze 01, AluBronze 03
Photo Credit : © Peter de Ruig

ALUCOBOND®



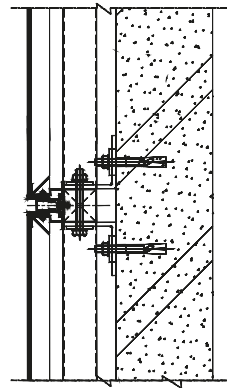
Pondok Indah Mall 3 and Office Tower | Jakarta, Indonesia

August 2023

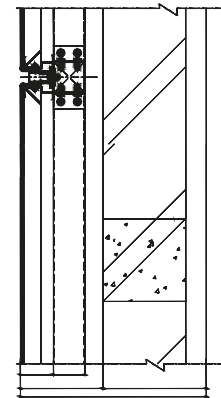
TUE	WED	THU	FRI	SAT	SUN	MON	TUE	WED	THU	FRI	SAT	SUN	MON	TUE	WED	THU	FRI	SAT	SUN	MON	TUE	WED	THU	FRI	SAT	SUN	MON	TUE	WED	THU
1	2	3	4	5	6	7	8	9	10	11	12	13	14	15	16	17	18	19	20	21	22	23	24	25	26	27	28	29	30	31
WK 31						WK 32						WK 33						WK 34						WK 35						

ALUCOBOND®

Design | Construction ALUCOBOND® Rear Ventilation System- Metal Clip Joint



Detail - 01



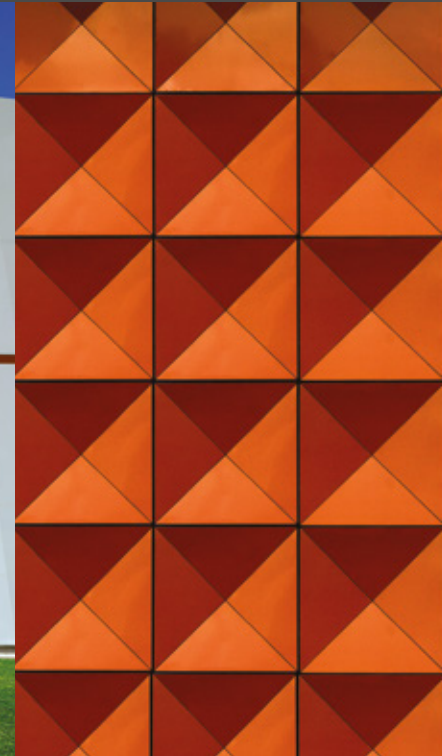
Detail - 02

All drawings are for illustration only. For design details suitable for your location contact our technical service or ALUCOBOND® representative near you.

Pondok Indah Mall 3
and Office Tower
Jakarta | Indonesia

Building Owner : Pt. Metropolitan Kentjana Tbk
Architect : Pt. Anggara Architeam
Fabricator/Installer : Pt. Trimatra Tatagraha
Completed Year : 2022
Product : ALUCOBOND® PLUS 4mm
Surface Finish : PVDF / FEVE coil coated
Color : Custom Color 9806, 9807, 9808, 9809, 9810, 9828 and Cream 102
Photo Credit : © Hendry

ALUCOBOND®



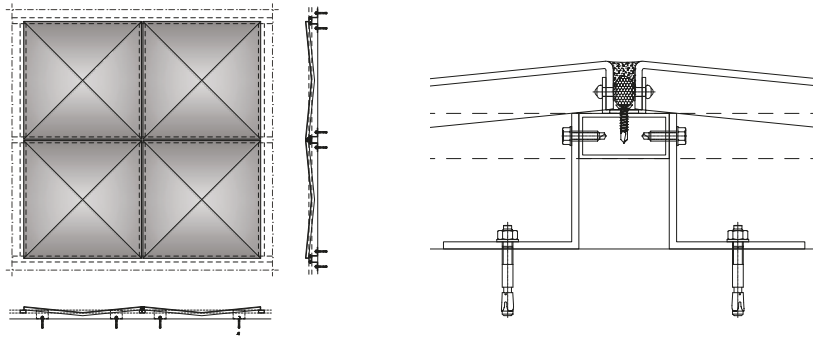
Royce Integrated Resort & Casino | Pampanga, Philippines

September 2023

FRI	SAT	SUN	MON	TUE	WED	THU	FRI	SAT	SUN	MON	TUE	WED	THU	FRI	SAT	SUN	MON	TUE	WED	THU	FRI	SAT	SUN	MON	TUE	WED	THU	FRI	SAT
1	2	3	4	5	6	7	8	9	10	11	12	13	14	15	16	17	18	19	20	21	22	23	24	25	26	27	28	29	30
			WK 36				WK 37					WK 38					WK 39												

ALUCOBOND®

Design | Construction ALUCOBOND® Wet Seal System



Typical Section

All drawings are for illustration only. For design details suitable for your location contact our technical service or ALUCOBOND® representative near you.

Royce Integrated Resort & Casino
Pampanga | Philippines

Building Owner : Eight Integrated Development Corp.
Architect : UF Protomartir Partners Co.
Fabricator/Installer : Fasclad, Inc.
Completed Year : 2022
Product : ALUCOBOND® PLUS 4mm
Surface Finish : PVDF / FEVE coil coated
Color : Spectra Cupral & Spectra White Gold
Photo Credit : © Michiko Matsuda (Fasclad, Inc.)

ALUCOBOND®



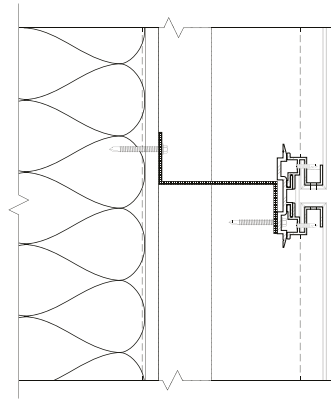
The Stack - Deep Ellum | Texas, US

October 2023

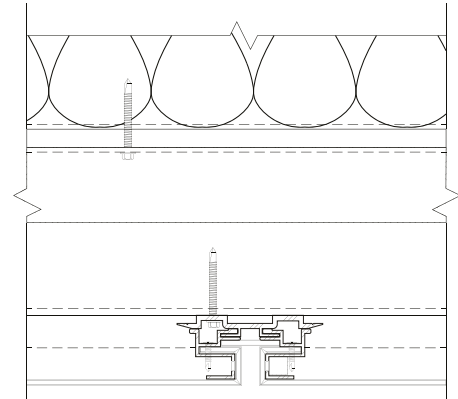
SUN	MON	TUE	WED	THU	FRI	SAT	SUN	MON	TUE	WED	THU	FRI	SAT	SUN	MON	TUE	WED	THU	FRI	SAT	SUN	MON	TUE							
1	2	3	4	5	6	7	8	9	10	11	12	13	14	15	16	17	18	19	20	21	22	23	24	25	26	27	28	29	30	31
WK 40							WK 41							WK 42							WK 43									

ALUCOBOND®

Design | Construction ALUCOBOND® Unitized Rainscreen Installation System



Horizontal Section



Vertical Section

All drawings are for illustration only. For design details suitable for your location contact our technical service or ALUCOBOND® representative near you.

The Stack - Deep Ellum
Texas | US

Building Owner	:	Hines, Westdale Real Estate Investment and Management, Ivanhoe Cambridge Inc.
Architect	:	5G Studio Collaborative
Fabricator	:	KSC, Inc.
Installer	:	Baker Triangle
Completed Year	:	2021
Product	:	ALUCOBOND® PLUS 4mm
Surface Finish	:	FEVE
Color	:	Custom Brushed Manhattan
Photo Credit	:	© 3A Composites USA

ALUCOBOND®



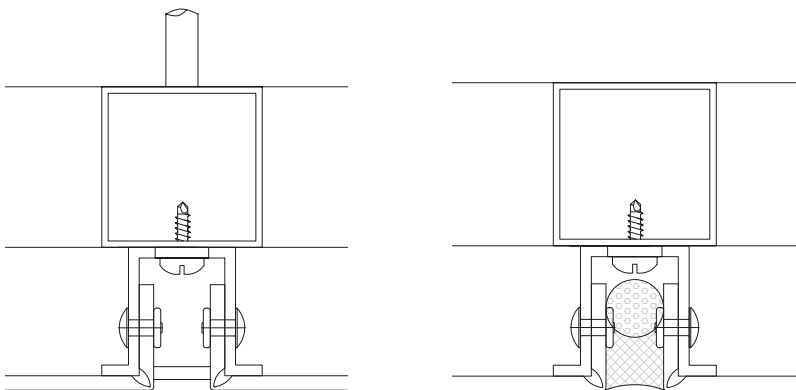
Tran Duy Hung Middle School | Hanoi, Vietnam

November 2023

WED	THU	FRI	SAT	SUN	MON	TUE	WED	THU	FRI	SAT	SUN	MON	TUE	WED	THU	FRI	SAT	SUN	MON	TUE	WED	THU							
1	2	3	4	5	6	7	8	9	10	11	12	13	14	15	16	17	18	19	20	21	22	23	24	25	26	27	28	29	30
WK 44				WK 45				WK 46				WK 47				WK 48													

ALUCOBOND®

Design | Construction ALUCOBOND® Rainscreen Wet Seal System



Joint Section

All drawings are for illustration only. For design details suitable for your location contact our technical service or ALUCOBOND® representative near you.

Tran Duy Hung Middle School
Hanoi | Vietnam

Building Owner : Cau Giay District Project Committee
Architect : SUNJIN Vietnam
Fabricator/Installer : Vuong Dong One Member Company Ltd.
Completed Year : 2021
Product : ALUCOBOND® PLUS 4mm & ALUCOBOND® ECO 4mm
Surface Finish : PVDF / FEVE coil coated
Color : Lime (8313), Orange (8210), Pure White 10 (100)
Photo Credit : SUNJIN Vietnam

ALUCOBOND®



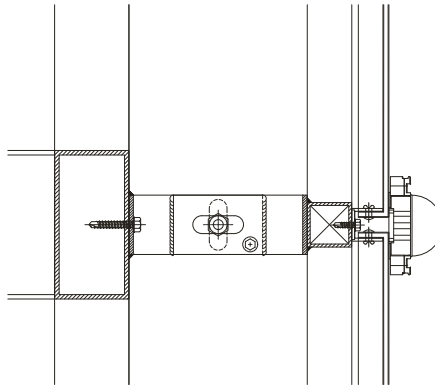
Chip Mong Sen Sok Mall | Phnom Penh, Cambodia

December 2023

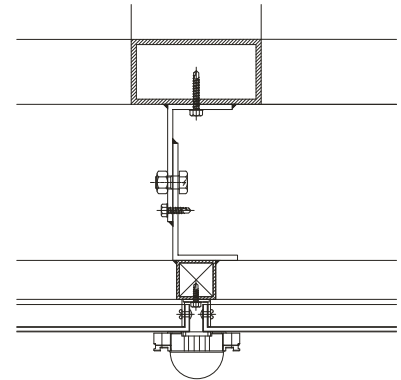
FRI	SAT	SUN	MON	TUE	WED	THU	FRI	SAT	SUN	MON	TUE	WED	THU	FRI	SAT	SUN	MON	TUE	WED	THU	FRI	SAT	SUN	MON	TUE	WED	THU	FRI	SAT	SUN
1	2	3	4	5	6	7	8	9	10	11	12	13	14	15	16	17	18	19	20	21	22	23	24	25	26	27	28	29	30	31
WK 49							WK 50							WK 51							WK 52									

ALUCOBOND®

Design | Construction ALUCOBOND® Open Joint System



Horizontal Section



Vertical Section

All drawings are for illustration only. For design details suitable for your location contact our technical service or ALUCOBOND® representative near you.

Chip Mong Sen Sok Mall
Phnom Penh | Cambodia

Building Owner	:	Chip Mong Retail
Architect	:	M.A.A.R. Co., LTD
Fabricator/Installer	:	Cag Facade Joint Stock Company
Completed Year	:	2021
Product	:	ALUCOBOND® PLUS 4mm
Surface Finish	:	PVDF / FEVE coil coated
Color	:	Special Pink Telemagenta, Spectra Red Pearl, Pure White 10 (100), Grey Metallic (502) & Smoke Silver Metallic (501)
Photo Credit	:	BDV Photography - Architecture and Interiors Photographer