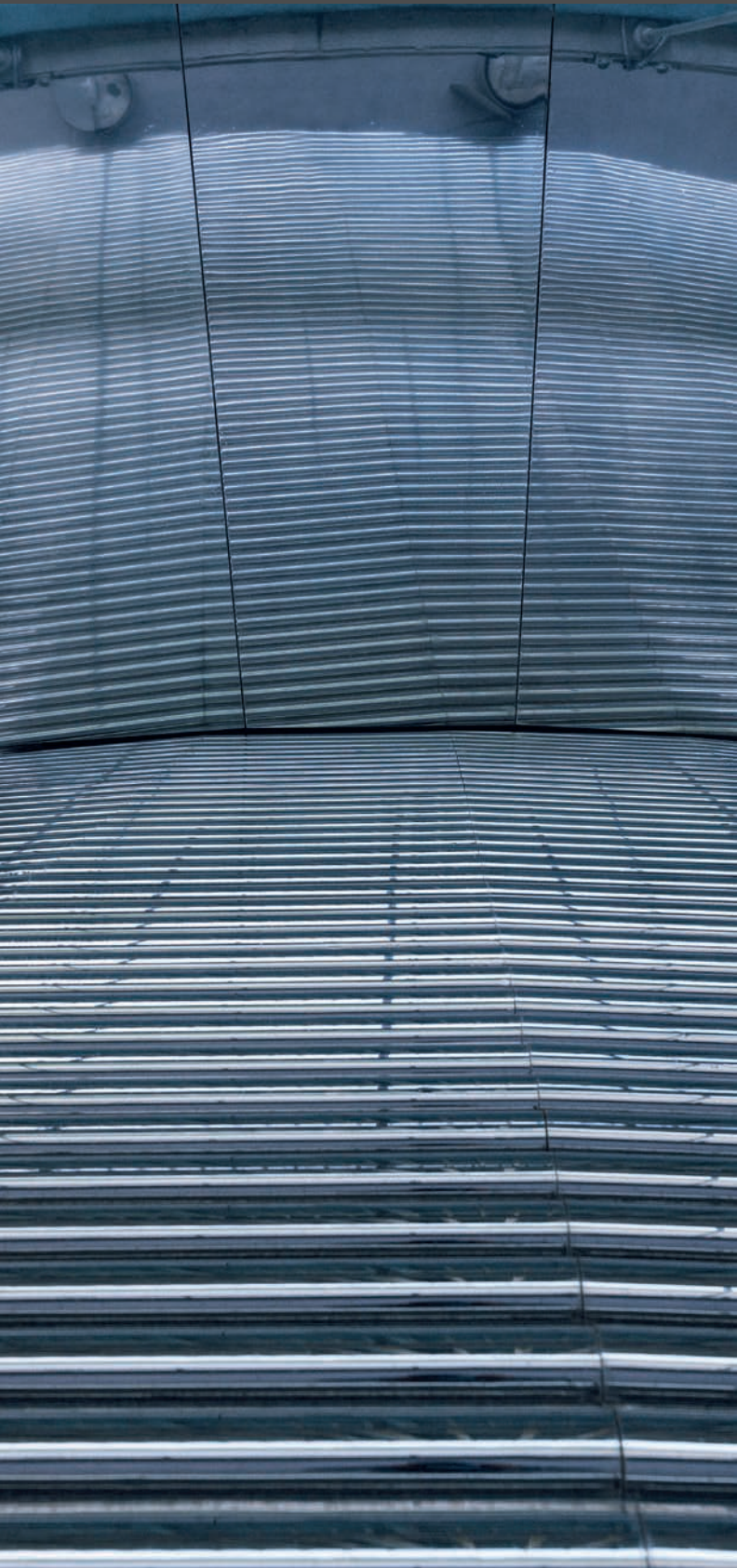
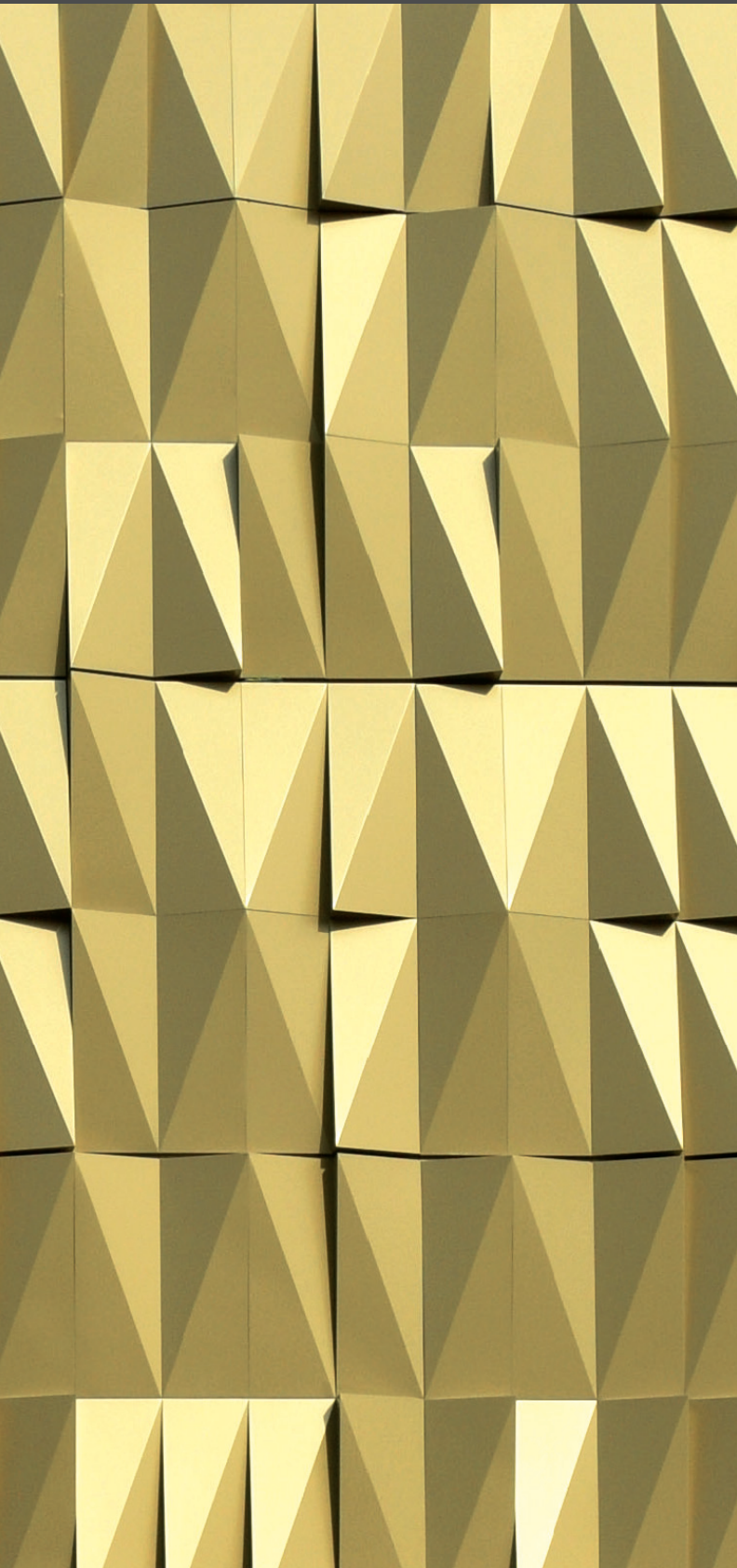


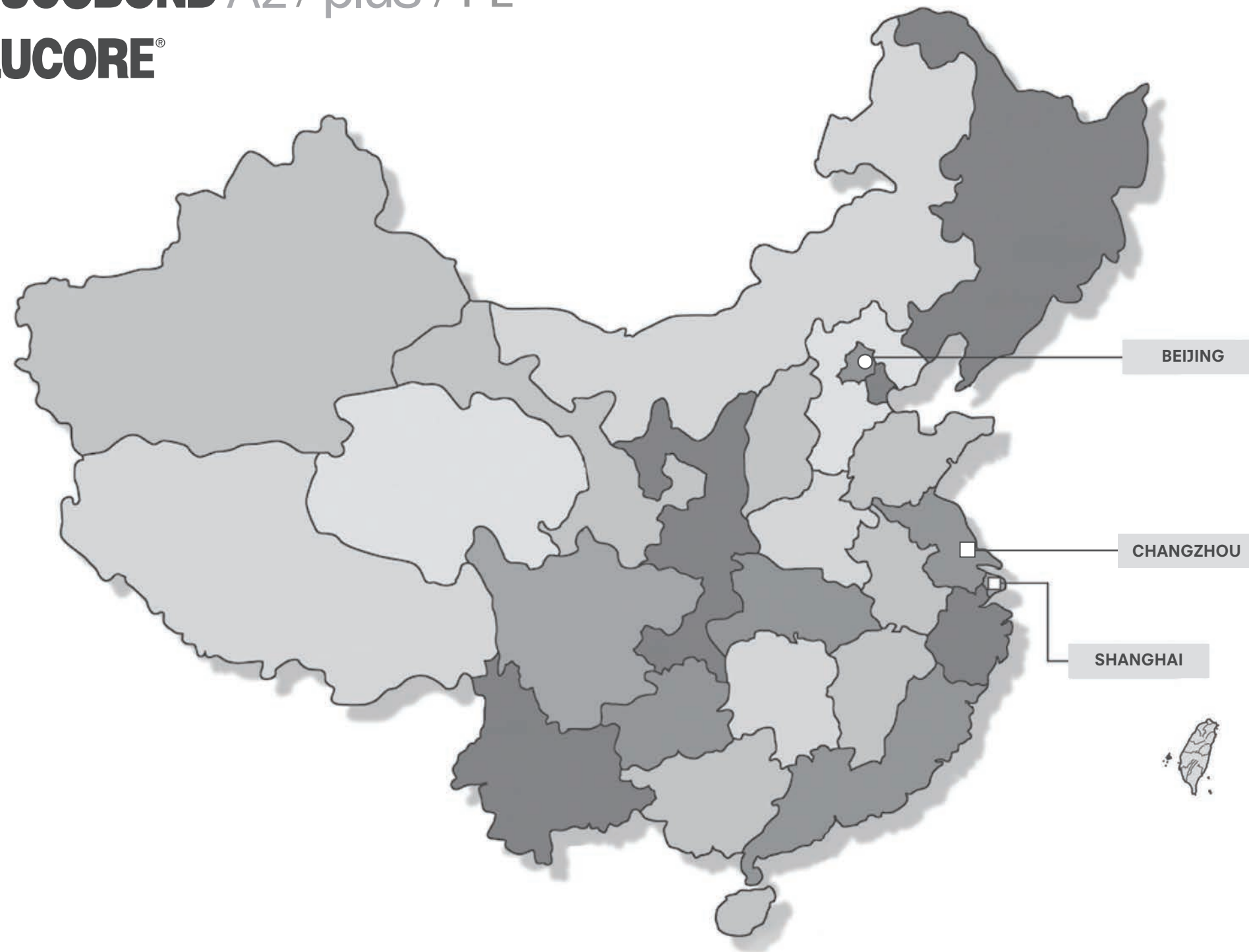
**ALUCOBOND®**  
**ALUCORE®**

**2021**



COMPOSITES

# ALUCOBOND® A2 / plus / PE ALUCORE®



- ◆ - Alucobond Head Office
- - Alucobond Plant
- - Alucobond Sales Offices

**3A Composites (China) Ltd.**  
 Room 1902-1903  
 Feng Sheng Chuang Jian Building  
 Mengzi Road No. 763  
 Huangpu Shanghai  
 China  
 Telephone: 021 5813 5353  
 Telefax: 021 5813 5333  
 Email: alucobond.china@3acomposites.com  
 www.alucobond.com.cn

**思瑞安复合材料(中国)有限公司**  
 上海市  
 蒙自路763号  
 丰盛创建大厦  
 1902-1903室  
 电话: 021 6315 8550  
 传真: 021 6315 8560  
 电邮: alucobond.china@3acomposites.com  
 www.alucobond.com.cn

**Alucobond Composites (Jiangsu) Ltd.**  
 10 South Hehuan Road  
 Zhonglou, Changzhou 213023, China  
 Telephone: 0519 8166 5766  
 Telefax: 0519 8166 5999

**阿鲁克邦复合材料(江苏)有限公司**  
 中国江苏常州钟楼区  
 合欢南路10号213023  
 电话: 0519 8166 5766  
 传真: 0519 8166 5799

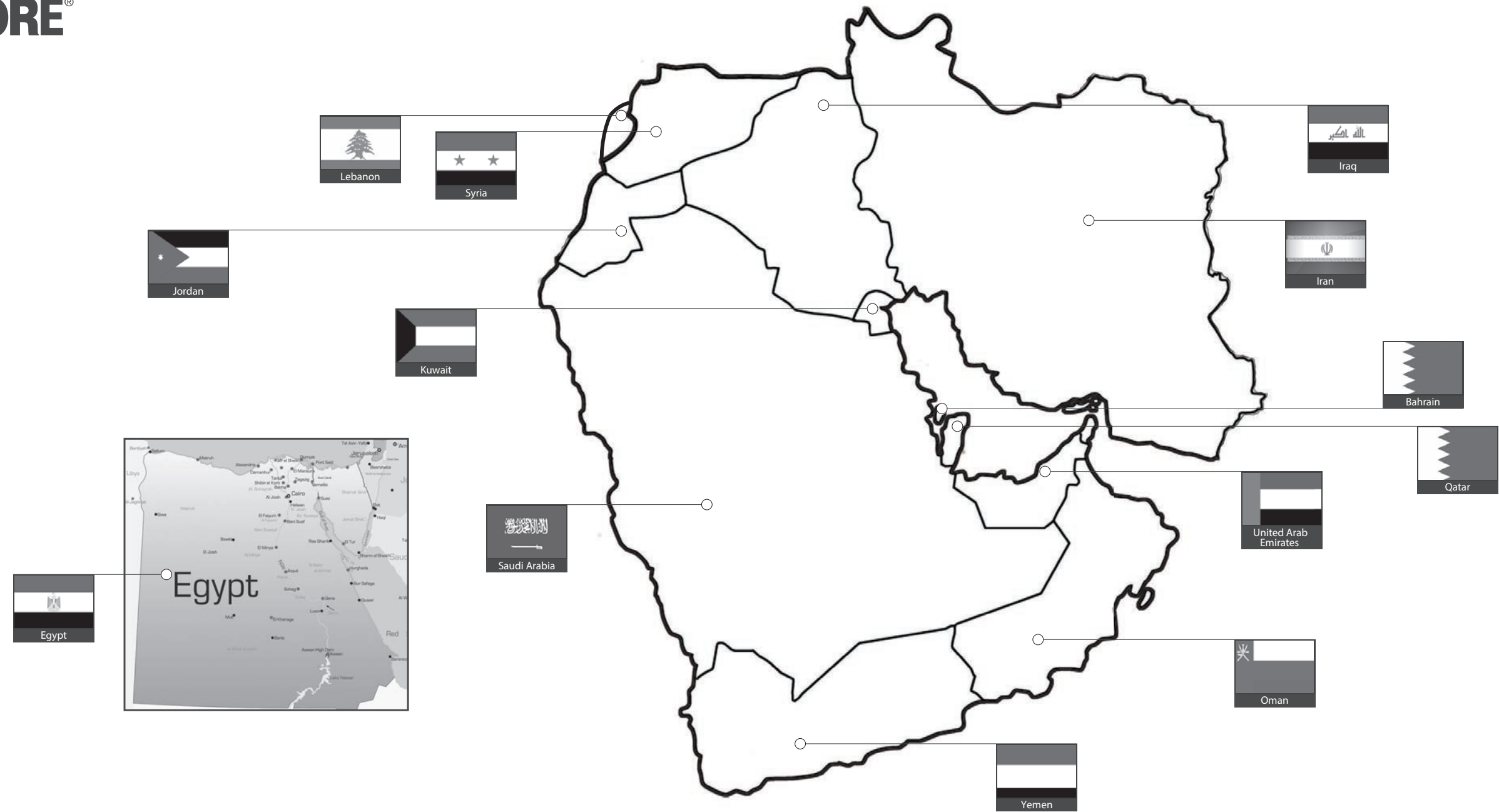
**SALES OFFICE IN BEIJING:**  
 思瑞安复合材料(中国)有限公司 北京办事处  
 北京市朝阳区何各庄87号院  
 邮编: 100010  
 电话: 010 6552 6755  
 传真: 010 6552 7055

**Beijing. 3A Composites (China) Ltd.**  
 No. 87 Hegezhuang Chaoyang District Beijing  
 100103 Beijing  
 Telephone: 010 6552 6755  
 Telefax: 010 6552 7055

For more information, please contact us.  
 如有需求, 敬请联络

# ALUCOBOND® A2 / plus

## ALUCORE®



**MIDDLE EAST SUPPORT CENTRE:**

**3A Composites Middle East (Branch)**  
 Almas Tower, JLT  
 P.O Box: 343522  
 Dubai  
 United Arab Emirates  
 Mobile: +971 58 535 1721  
 Email: basel.massis@3acomposites.com  
 www.alucobond.com

**FAR EAST SUPPORT CENTRE:**

**3A Composites Asia Pacific Pte. Ltd.**  
 6 Shenton Way  
 #40-05 OUE Downtown 1  
 Singapore 068809  
 Telephone: (65) 6303 9750  
 Telefax: (65) 6303 7571  
 Email: sales@alucobond.com.sg  
 www.alucobond.com.sg

**MANUFACTURER:**

**3A Composites Gmbh**  
 Alusingenplatz 1  
 78224 Singen/Germany  
 Telephone: (49) 7731 941 2347  
 Telefax: (49) 7731 941 2845  
 Email: info.eu@alucobond.com  
 www.alucobond.com

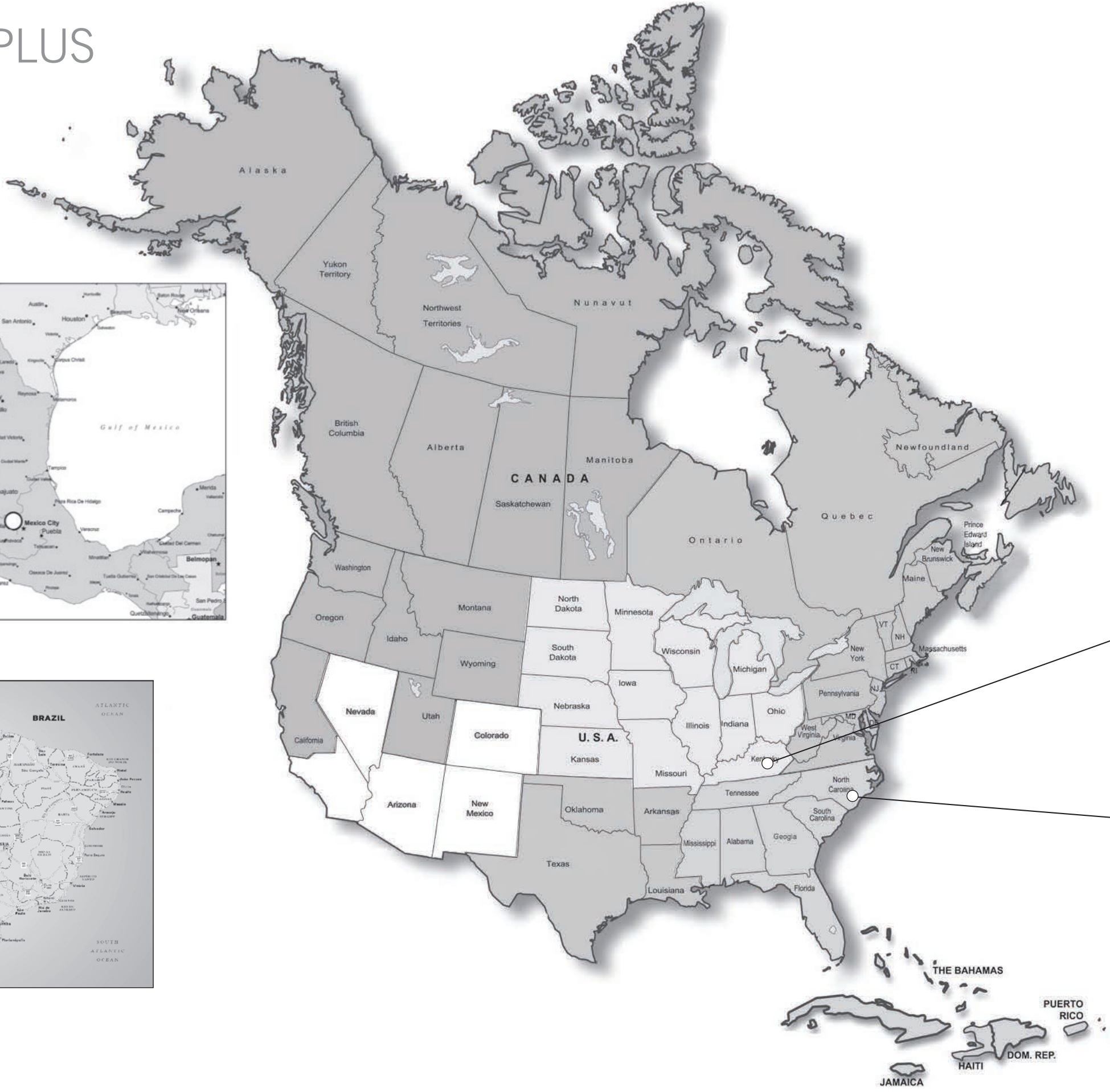
**MANUFACTURER:**

**3A Composites (China) Ltd.**  
 Room 1902-1903  
 Feng Sheng Chuang Jian Building  
 Mengzi Road No. 763  
 Huangpu Shanghai  
 China  
 Telephone: 021 5813 5353  
 Telefax: 021 5813 5333  
 Email: alucobond.china@3acomposites.com  
 www.alucobond.com.cn

**MANUFACTURER:**

**3A Composites India Pvt. Ltd.**  
 Bldg. No. 11, Unit No. 1112, 1st Floor  
 Solitaire Corporate Park  
 Mathuradas Wasanji Marg  
 Andheri (East)  
 Mumbai - 400 093, India  
 Telephone: (91) 22 4005 4500  
 Telefax: (91) 22 4010 4132  
 Email: info.india@alucobond.com  
 www.alucobond.in

# ALUCOBOND® PLUS



Manufacturing, Technical Service & Customer Relations

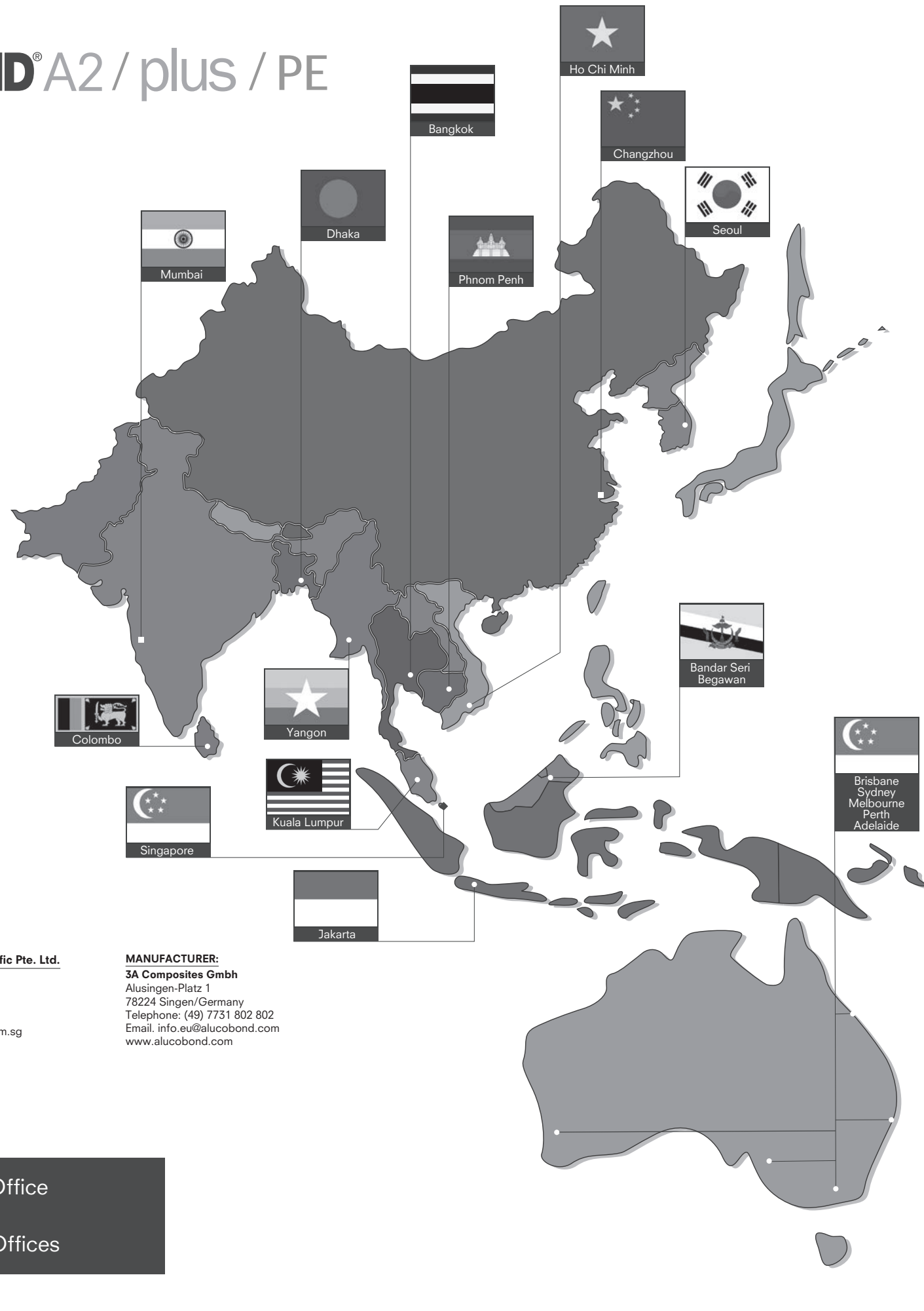
**3A Composite USA**  
208 W. 5th Street  
Benton, KY 42025  
800-626-3365  
270-527-4200  
270-527-1552 FAX

Davidson, NC Headquarters

**3A Composite USA**  
721 Jetton Street, Suite 321  
Davidson, NC 28036  
Nick Scheib  
VP of Architectural Sales  
800-626-3365  
info.usa@3acomposites.com

# ALUCOBOND® A2 / plus / PE

## ALUCORE®



**DISTRIBUTORS/AGENTS:**

**AUSTRALIA**  
**Alucobond Architectural**  
**A Division of Halifax Vogel Pty Limited**  
 25 West Park Drive  
 Derrimut Victoria 3012  
 Australia  
 Telephone: (61) 3 9394 3131  
 Telefax: (61) 3 9394 3129  
 Email: info@alucobond.com.au  
 www.alucobond.com.au

**BANGLADESH**  
**Housing & Technology Limited**  
 Gagan Shirsh (2nd Floor)  
 76, 76/1 East Raza Bazar  
 Panthapath, Dhaka 1215  
 Bangladesh  
 Telephone: (880) 2 814 5765/815 1146  
 Telefax: (880) 2 814 4180  
 Email: ht@bdcom.com  
 www.alucobond.com.bd

**BRUNEI**  
**Maju Jaya Sdn Bhd**  
 Unit 5, Ground Floor  
 Simpang 607-17 Beribi Komplex  
 Jalan Gadong BE1118  
 Bandar Seri Begawan  
 Brunei Darussalam  
 Telephone: (673) 2 653 950/952  
 Telefax: (673) 2 653 971  
 Email: majujayasdnbhd8727@gmail.com  
 admin@majujaya168.com  
 www.alucobond.com.bn

**CAMBODIA**  
**Parbury Properties Co. Ltd.**  
 No. 12 St. 289, Sangkat Boeung Kak 1  
 Khan Toul Kork  
 Phnom Penh, Cambodia  
 Telephone: +855 (0) 23 901 931  
 Email: seakhun.heng@parbury.com.kh  
 www.parbury.com.kh

**FIJI ISLANDS**  
**Vinod Patel & Co. Ltd.**  
 1 Ratu Dovi Road, Centerpoint  
 G.P.O Box 14416, Suva  
 Fiji Islands  
 Telephone: (679) 339 3111  
 Telefax: (679) 339 9897

**INDONESIA**  
**PT Alucobond Far East Indonesia**  
 Jl. Jalur Sutera Timur Kav 7A, No. 6  
 Alam Sutera Tangerang  
 Banten 15143  
 Indonesia  
 Mobile: (62) 8161968643  
 Email: hendry.halim@3acomposites.com  
 www.alucobond.co.id

**JAPAN**  
**3A Composites Asia Pacific Pte. Ltd.**  
 6 Shenton Way  
 #40-05 OUE Downtown 1  
 Singapore 068809  
 Telephone: (65) 63039750  
 Email: sales@alucobond.com.sg  
 www.alucobond.com.sg

**KOREA**  
**Y B International Co.**  
 Suite 503 Handuk Bldg  
 649-4 Yuksam-Dong  
 Kangnam-ku, Seoul, Korea  
 Telephone: (82) 2 567 1261/3  
 Telefax: (82) 2 567 1264  
 Email: ybaluco@chol.com  
 www.alucobond.co.kr

**MALAYSIA**  
**ACM Marketing Sdn Bhd**  
 No. 27 Japan BPU 6  
 Bandar Puchong Utama  
 47100 Puchong  
 Selangor Darul Ehsan, Malaysia  
 Telephone: (60) 3 5882 3661  
 Telefax: (60) 3 5882 3662  
 Email: jasonlim@acmm.com.my  
 www.alucobond.com.my

**MYANMAR**  
**Alu-Guardian Trading Company Ltd.**  
 No.(7), Corner of Moe Kaung Street &  
 Aung Zaya Street (13) ward  
 Yankin Township, Yangon  
 Myanmar  
 Telephone: 09 791519000, 09791519111,  
 09 791519777  
 Email: htetyeemon.94@gmail.com

**NEW ZEALAND**  
**SPS Roofing and Building**  
 1/14 Link Drive  
 Wairau Valley  
 Auckland 0627  
 Telephone: (64) 09-4152669  
 Email: info@spsbuilding.co.nz  
 www.spsbuilding.co.nz

**PAKISTAN**  
**3A Composites Asia Pacific Pte. Ltd.**  
 6 Shenton Way  
 #40-05 OUE Downtown 1  
 Singapore 068809  
 Telephone: (65) 63039750  
 Email: sales@alucobond.com.sg  
 www.alucobond.com.sg

**SINGAPORE**  
**3A Composites Asia Pacific Pte. Ltd.**  
 6 Shenton Way  
 #40-05 OUE Downtown 1  
 Singapore 068809  
 Telephone: (65) 63039750  
 Email: sales@alucobond.com.sg  
 www.alucobond.com.sg

**SRI LANKA**  
**JC Enterprises**  
 637/2 Sirimavo Bandaranayake  
 Mawatha, Colombo 14  
 Sri Lanka  
 Telephone: (94) 11 238 5404/07  
 Telefax: (94) 11 238 5403  
 Email: jeykumar@sltnet.lk

**THAILAND**  
**3A Composites Asia Pacific Pte. Ltd.**  
 CP Tower 2 (Fortune Town)  
 Level 21, Unit 21, 1 Radchadapisek Road  
 Dindaeng, Dindaeng  
 Bangkok 10400  
 Thailand  
 Telephone: (66)2026 7933 & (66)2026 7934  
 Email: sales@alucobond.com.sg  
 www.alucobond.com.sg

**VIETNAM**  
**The Capital Industrial Trading Joint  
 Stock Company (Thudogroup)**  
 Lot F, Tan Hong Hoan Son Industrial Zone  
 Tien Du District  
 Bac Ninh Province  
 Vietnam  
 Telephone: (84) 90 410 2200  
 Email: alucobond.com.vn  
 www.alucobond.com.sg

**3A Composites Asia Pacific Pte. Ltd.**  
 6 Shenton Way  
 #40-05 OUE Downtown 1  
 Singapore 068809  
 Telephone: (65) 63039750  
 Email: sales@alucobond.com.sg  
 www.alucobond.com.sg

**MANUFACTURER:**  
**3A Composites GmbH**  
 Alusingen-Platz 1  
 78224 Singen/Germany  
 Telephone: (49) 7731 802 802  
 Email: info.eu@alucobond.com  
 www.alucobond.com

**MANUFACTURER:**  
**Alucobond Composites (Jaingsu) Ltd.**  
 10 South Hehuan Road  
 Zhonglou, Changzhou 213023 China  
 Telephone: 0519 8166 5766  
 Telefax: 0519 8166 5999  
 Email: alucobond.china@3acomposites.com  
 www.alucobond.com.cn

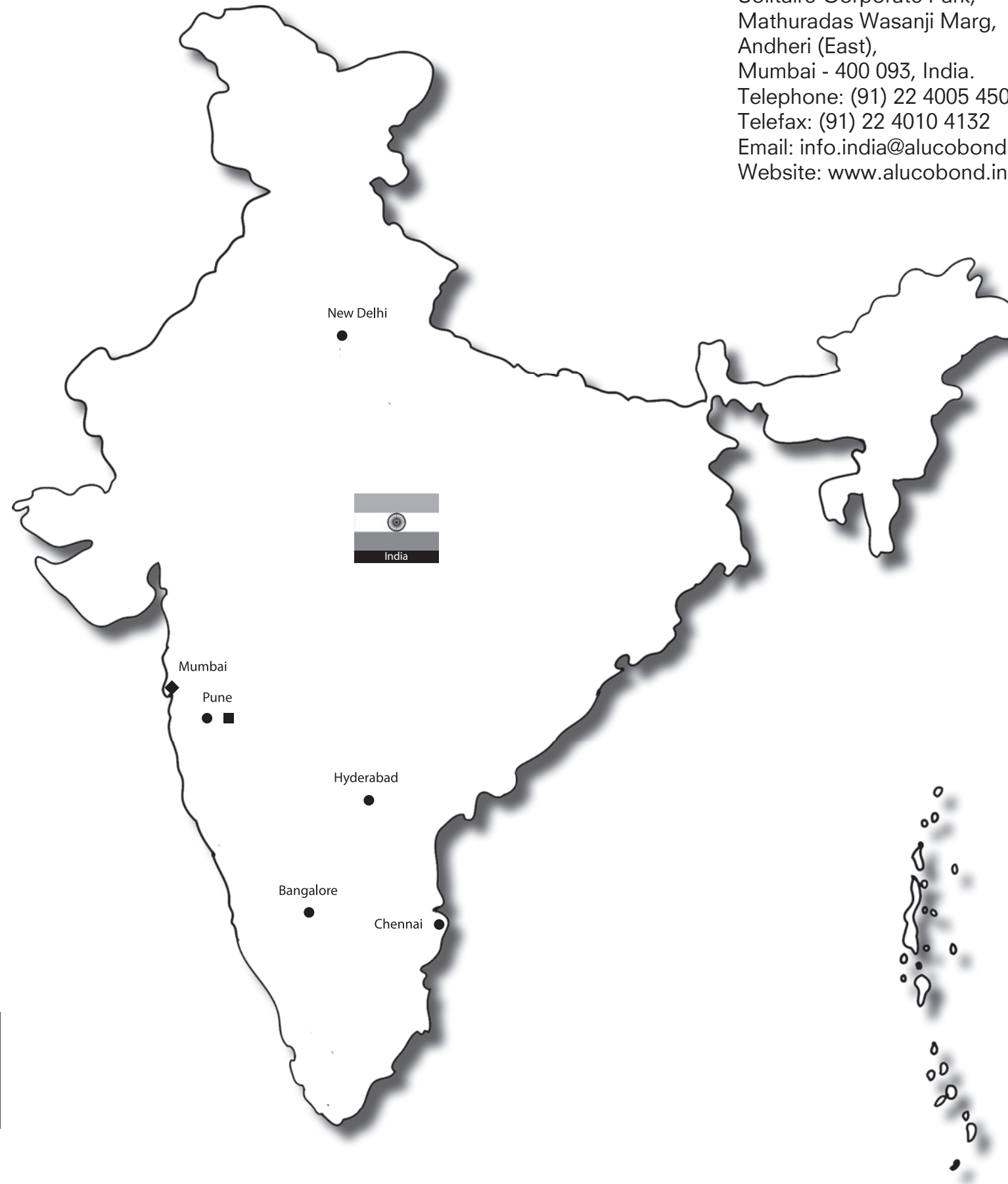
**MANUFACTURER:**  
**3A Composites India Pvt. Ltd.**  
 Bldg. No. 11, Unit No. 1112, 1st Floor  
 Solitaire Corporate Park, Mathuradas Wasanji Marg  
 Chakala, Andheri (East), Mumbai-400 093, India  
 Telephone: (91) 22 4256 4500  
 Telefax: (91) 22 4256 4545  
 Email: alucobond.india@3acomposites.com  
 Website: www.alucobond.in | www.3acomposites.com

- ◆ - Alucobond Head Office
- - Alucobond Plant
- - Alucobond Sales Offices

# ALUCOBOND® A2 / plus / PE ALUCORE®

## 3A Composites India Pvt. Ltd.

Bldg. No. 11, Unit No. 1112, 1st Floor,  
Solitaire Corporate Park,  
Mathuradas Wasanji Marg,  
Andheri (East),  
Mumbai - 400 093, India.  
Telephone: (91) 22 4005 4500  
Telefax: (91) 22 4010 4132  
Email: [info.india@alucobond.com](mailto:info.india@alucobond.com)  
Website: [www.alucobond.in](http://www.alucobond.in)



- ◆ - Alucobond Head Office
- - Alucobond Plant
- - Alucobond Sales Offices



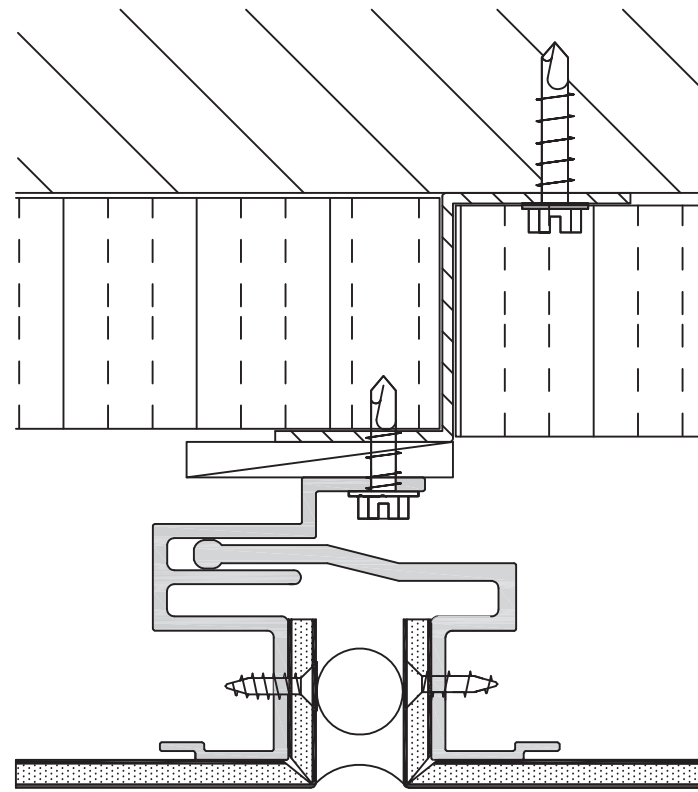
Exo Apartments | Reston, USA

## January 2021

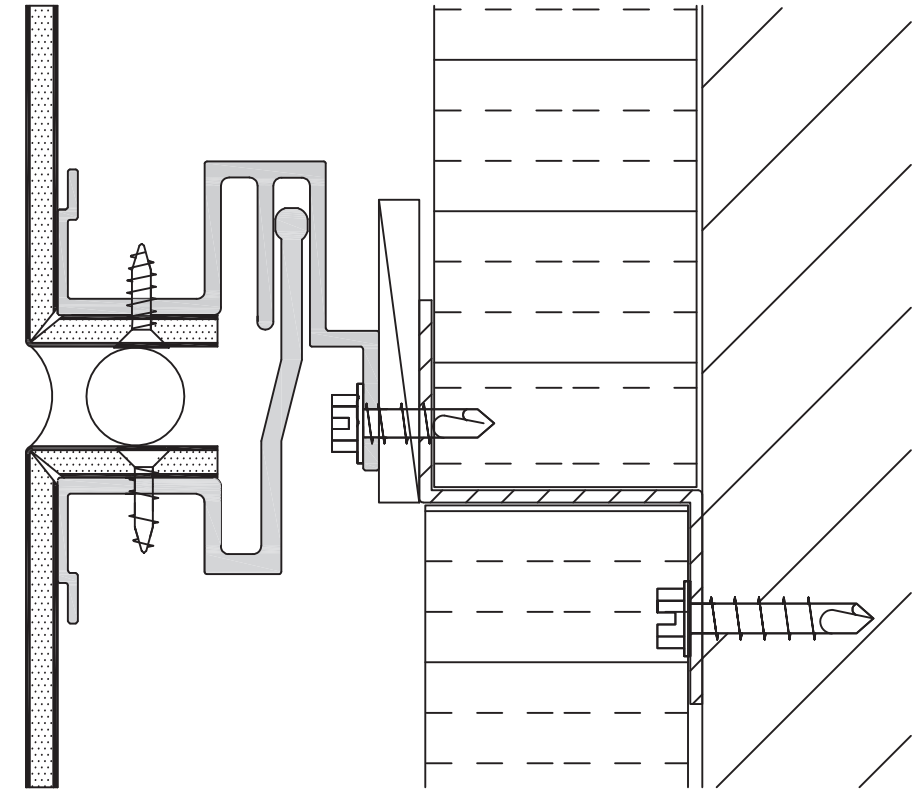
| FRI  | SAT | SUN | MON  | TUE | WED | THU | FRI  | SAT | SUN | MON | TUE | WED  | THU | FRI | SAT | SUN | MON  | TUE | WED | THU | FRI | SAT | SUN | MON | TUE | WED | THU | FRI | SAT | SUN |
|------|-----|-----|------|-----|-----|-----|------|-----|-----|-----|-----|------|-----|-----|-----|-----|------|-----|-----|-----|-----|-----|-----|-----|-----|-----|-----|-----|-----|-----|
| 1    | 2   | 3   | 4    | 5   | 6   | 7   | 8    | 9   | 10  | 11  | 12  | 13   | 14  | 15  | 16  | 17  | 18   | 19  | 20  | 21  | 22  | 23  | 24  | 25  | 26  | 27  | 28  | 29  | 30  | 31  |
| WK 1 |     |     | WK 2 |     |     |     | WK 3 |     |     |     |     | WK 4 |     |     |     |     | WK 5 |     |     |     |     |     |     |     |     |     |     |     |     |     |

# ALUCOBOND®

## Design | Construction ALUCOBOND® Tray Panels System - Sealed Joint



Horizontal Section



Vertical Section

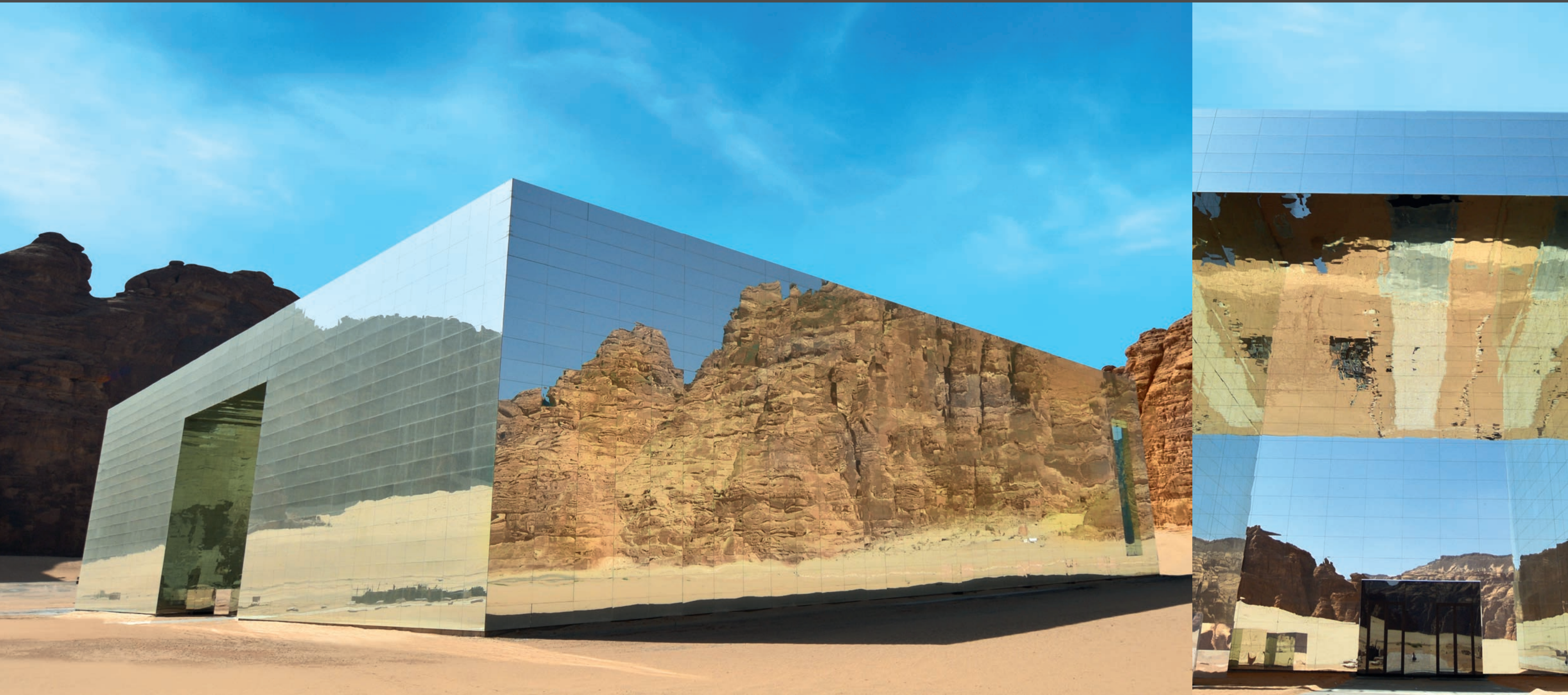
All drawings are for illustration only. For design details suitable for your location contact our technical service or an ALUCOBOND® representative near you.

Exo Apartments  
Reston | USA

|                      |                                |
|----------------------|--------------------------------|
| Building Owner       | : Greystar                     |
| Architect            | : R2L: Architects, PLLC        |
| Completed Year       | : 2018                         |
| Fabricator/Installer | : Custom Walls & Windows, Inc. |
| Product              | : ALUCOBOND® PLUS 4mm          |
| Surface Finish       | : PVDF / FEVE coil-coated      |
| Color                | : Spectra Ocean 914            |
| Photo Credit         | : © Mark Kempf Photography     |







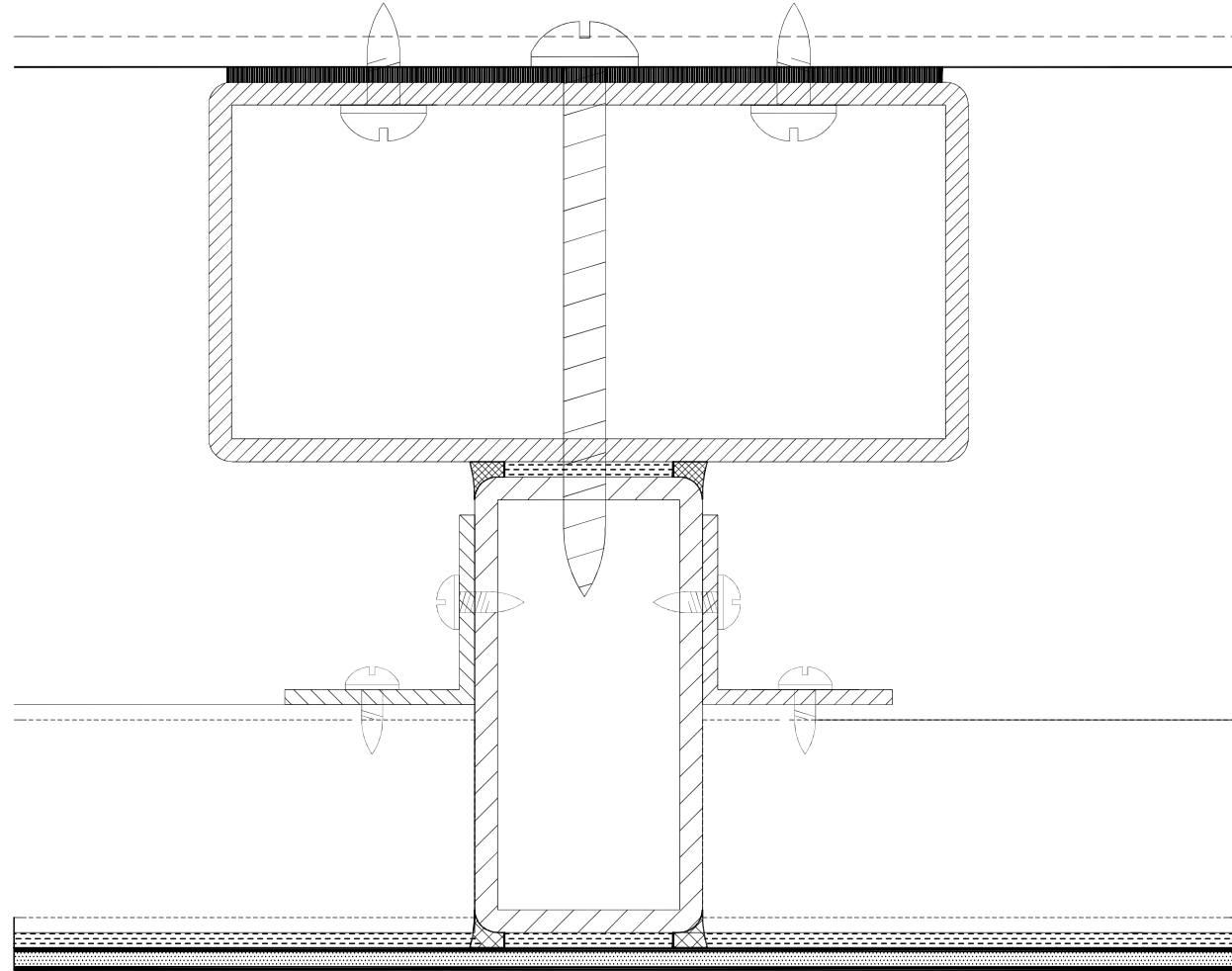
Maraya Concert Hall | Al Ula, Saudi Arabia

## February 2021

| MON  | TUE | WED | THU | FRI | SAT | SUN | MON  | TUE | WED | THU | FRI | SAT | SUN | MON  | TUE | WED | THU | FRI | SAT | SUN | MON  | TUE | WED | THU | FRI | SAT | SUN |
|------|-----|-----|-----|-----|-----|-----|------|-----|-----|-----|-----|-----|-----|------|-----|-----|-----|-----|-----|-----|------|-----|-----|-----|-----|-----|-----|
| 1    | 2   | 3   | 4   | 5   | 6   | 7   | 8    | 9   | 10  | 11  | 12  | 13  | 14  | 15   | 16  | 17  | 18  | 19  | 20  | 21  | 22   | 23  | 24  | 25  | 26  | 27  | 28  |
| WK 6 |     |     |     |     |     |     | WK 7 |     |     |     |     |     |     | WK 8 |     |     |     |     |     |     | WK 9 |     |     |     |     |     |     |

# ALUCOBOND®

## Design | Construction ALUCOBOND® Panel System - Special Design



Vertical Section

All drawings are for illustration only. For design details suitable for your location contact our technical service or an ALUCOBOND® representative near you.

Maraya Concert Hall  
Al Ula | Saudi Arabia

|                      |                                     |
|----------------------|-------------------------------------|
| Building Owner       | : Royal Commission of Al Oula       |
| Architect            | : Massimo Fogliati and Florian Bole |
| Completed Year       | : 2020                              |
| Fabricator/Installer | : Premium Aluminum Factory          |
| Product              | : ALUCOBOND® PLUS 4mm               |
| Surface Finish       | : PVDF / FEVE coil-coated           |
| Color                | : Natural Reflect 405               |
| Photo Credit         | : Mohammed Arwani                   |

# ALUCOBOND®



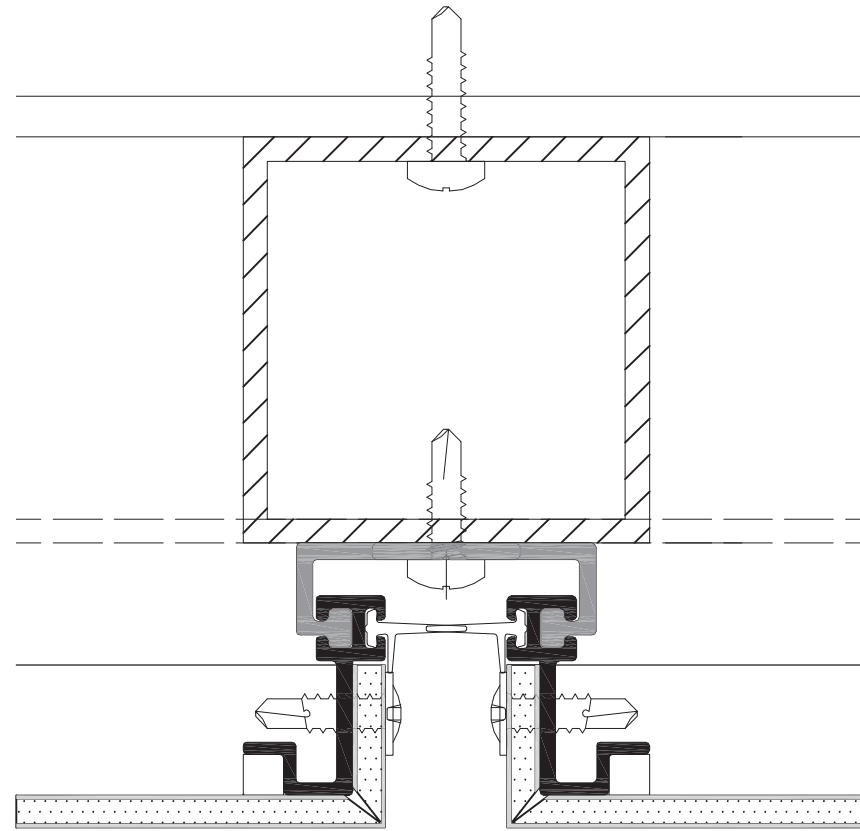
Bank Negara | Kuala Lumpur, Malaysia

## March 2021

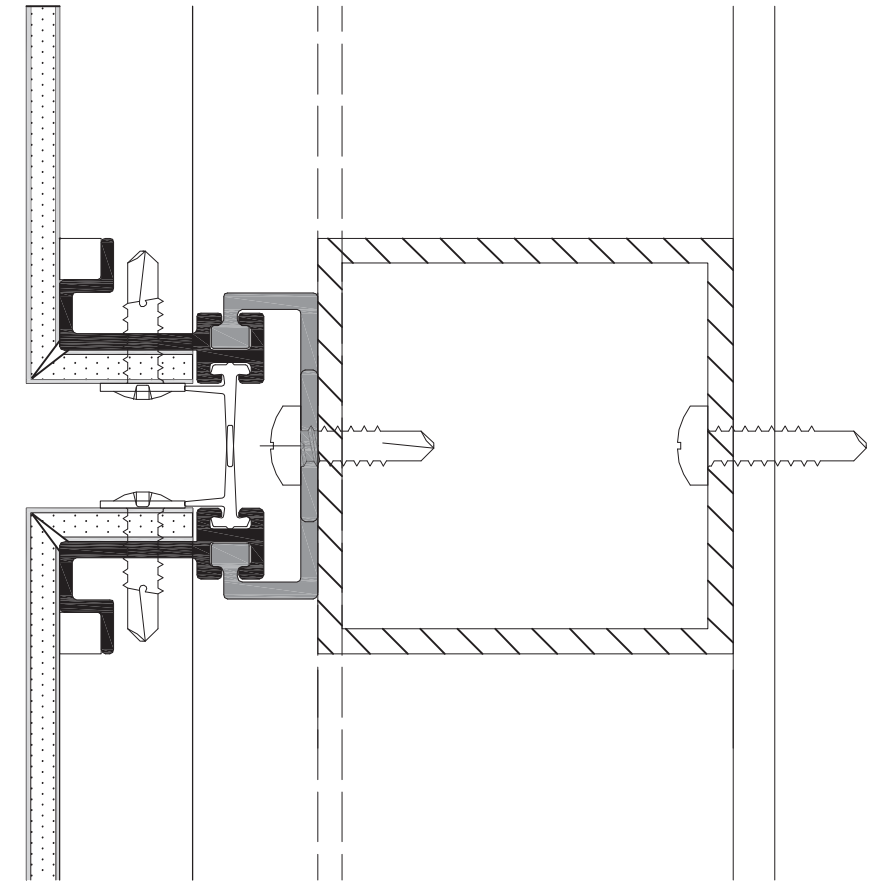
| MON   | TUE | WED | THU | FRI | SAT | SUN | MON   | TUE | WED | THU | FRI | SAT | SUN | MON   | TUE | WED | THU | FRI | SAT | SUN | MON   | TUE | WED |    |    |    |    |    |    |    |
|-------|-----|-----|-----|-----|-----|-----|-------|-----|-----|-----|-----|-----|-----|-------|-----|-----|-----|-----|-----|-----|-------|-----|-----|----|----|----|----|----|----|----|
| 1     | 2   | 3   | 4   | 5   | 6   | 7   | 8     | 9   | 10  | 11  | 12  | 13  | 14  | 15    | 16  | 17  | 18  | 19  | 20  | 21  | 22    | 23  | 24  | 25 | 26 | 27 | 28 | 29 | 30 | 31 |
| WK 10 |     |     |     |     |     |     | WK 11 |     |     |     |     |     |     | WK 12 |     |     |     |     |     |     | WK 13 |     |     |    |    |    |    |    |    |    |

# ALUCOBOND®

## Design | Construction ALUCOBOND® Tray Panels System - Open Joint



Horizontal Section



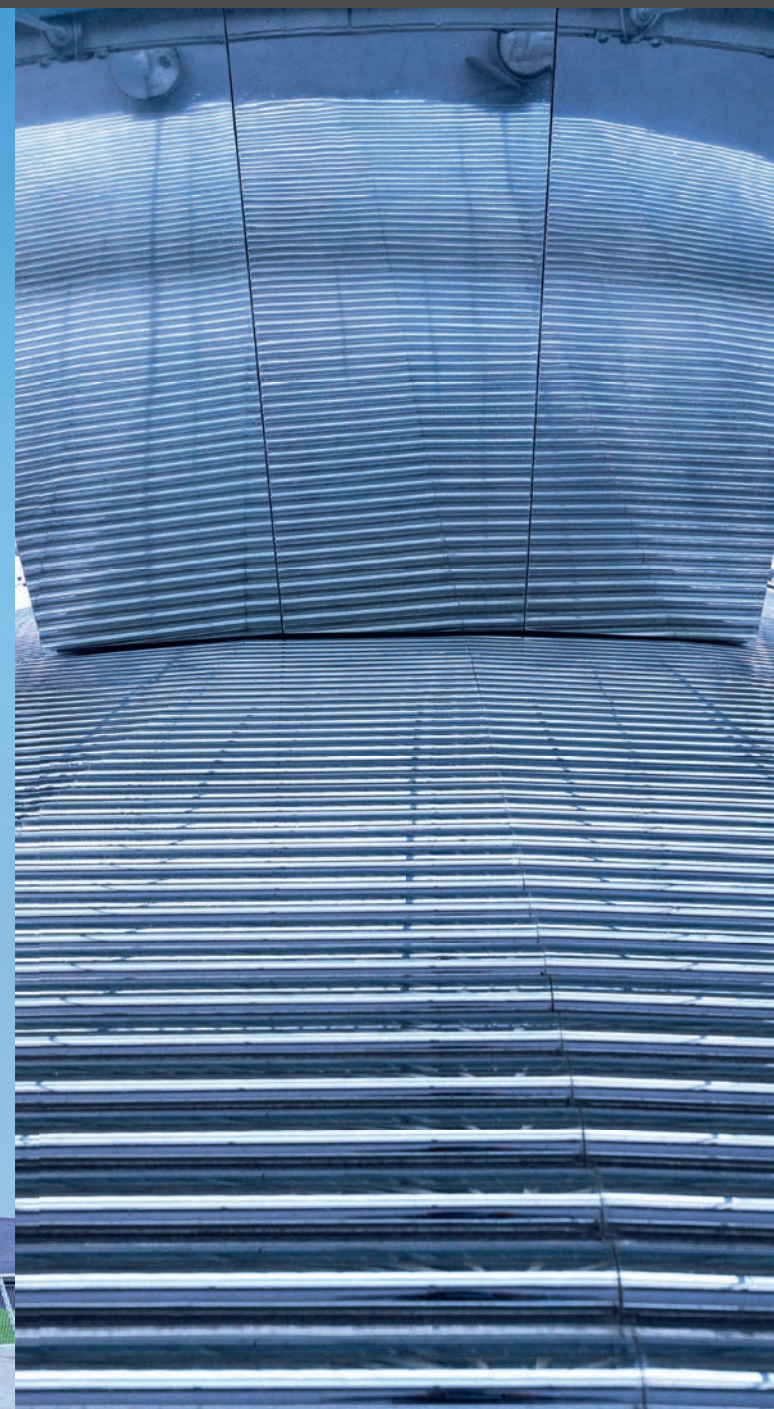
Vertical Section

All drawings are for illustration only. For design details suitable for your location contact our technical service or an ALUCOBOND® representative near you.

Bank Negara  
Kuala Lumpur | Malaysia

|                      |   |   |
|----------------------|---|---|
| Building Owner       | : | Bank Negara Malaysia  |
| Architect            | : | GDP Architects  |
| Completed Year       | : | 2019  |
| Fabricator/Installer | : | (a) Dongfang Taiyang Construction Sdn Bhd<br>(b) Tycotech Aluminium Sdn Bhd |
| Product              | : | ALUCOBOND® PLUS 4mm   |
| Surface Finish       | : | PVDF / FEVE coil-coated   |
| Color                | : | Custom Colour - Sparkle Elite 4082  |
| Photo Credit         | : | John Ong  |

# ALUCOBOND®



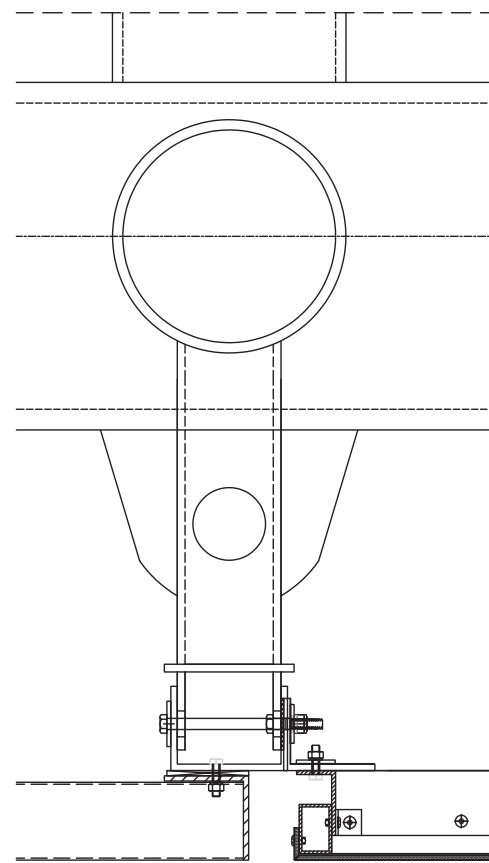
Rizhao Science Museum | Rizhao, China

## April 2021

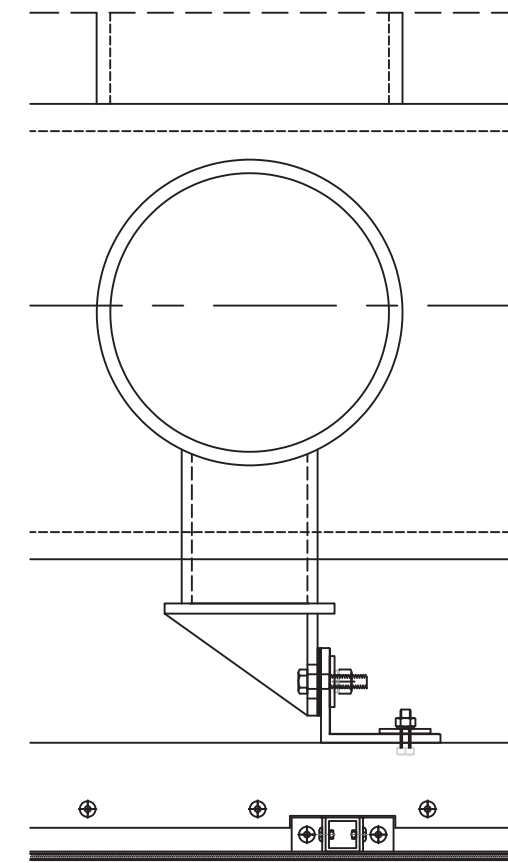
| THU   | FRI | SAT | SUN | MON   | TUE | WED | THU | FRI   | SAT | SUN | MON | TUE   | WED | THU | FRI | SAT   | SUN | MON | TUE | WED | THU | FRI | SAT | SUN | MON | TUE | WED | THU | FRI |
|-------|-----|-----|-----|-------|-----|-----|-----|-------|-----|-----|-----|-------|-----|-----|-----|-------|-----|-----|-----|-----|-----|-----|-----|-----|-----|-----|-----|-----|-----|
| 1     | 2   | 3   | 4   | 5     | 6   | 7   | 8   | 9     | 10  | 11  | 12  | 13    | 14  | 15  | 16  | 17    | 18  | 19  | 20  | 21  | 22  | 23  | 24  | 25  | 26  | 27  | 28  | 29  | 30  |
| WK 14 |     |     |     | WK 15 |     |     |     | WK 16 |     |     |     | WK 17 |     |     |     | WK 18 |     |     |     |     |     |     |     |     |     |     |     |     |     |

# ALUCOBOND®

## Design | Construction ALUCOBOND® Tray Panel System - Special Design



Horizontal Section



Vertical Section

All drawings are for illustration only. For design details suitable for your location contact our technical service or an ALUCOBOND® representative near you.

Rizhao Science Museum  
Rizhao | China

|                      |   |   |
|----------------------|---|---|
| Building Owner       | : | Rizhao Urban Construction Investment Group Co. LTD  |
| Architect            | : | Cuikai Studio • China Architecture Design & Research Group                                |
| Completed Year       | : | 2020  |
| Fabricator/Installer | : | The Second Construction Limited Company of China Construction Eighth Engineering Division |
| Product              | : | ALUCOBOND® PLUS 4mm   |
| Surface Finish       | : | PVDF / FEVE coil-coated   |
| Color                | : | Natural reflect 405   |
| Photo Credit         | : | Mark Shen   |



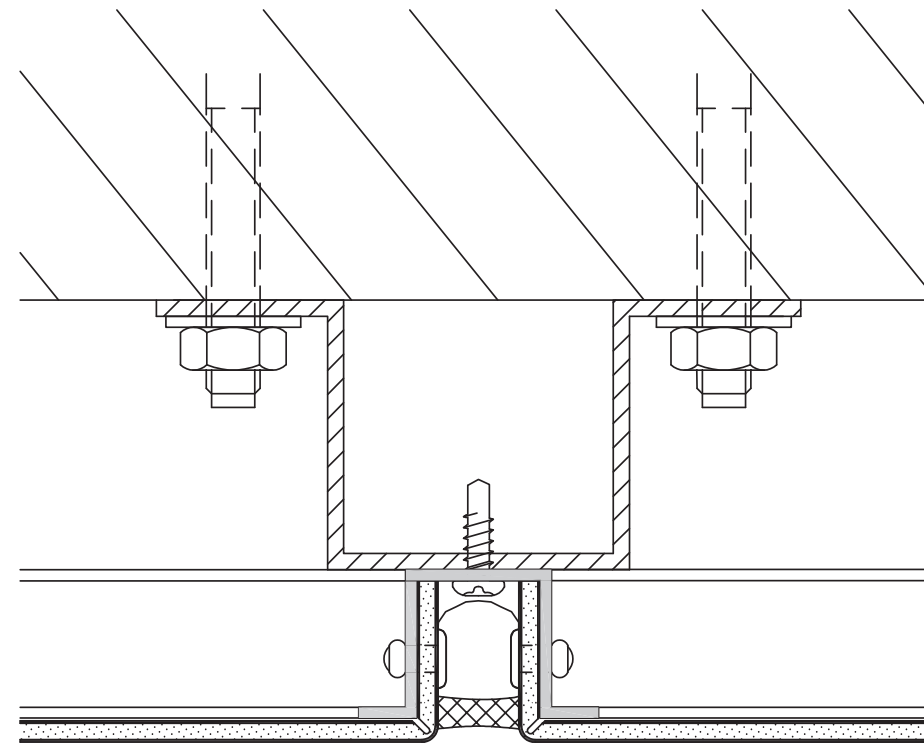
Ajdan Complex I Al Khobar, Saudi Arabia

## May 2021

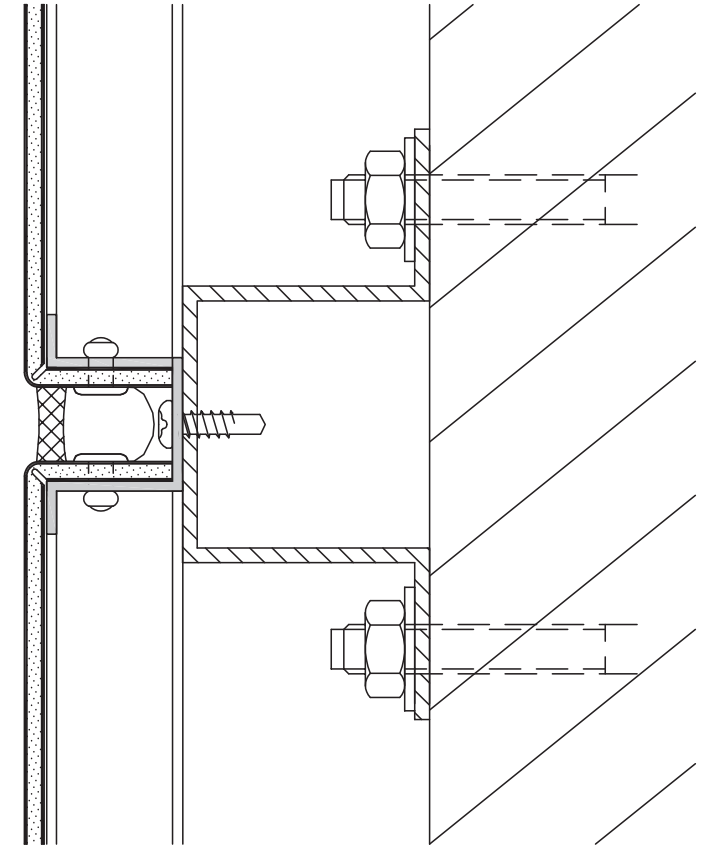
| SAT   | SUN | MON | TUE | WED | THU | FRI | SAT   | SUN | MON | TUE | WED | THU | FRI | SAT   | SUN | MON | TUE | WED | THU | FRI | SAT   | SUN | MON | TUE | WED | THU | FRI | SAT | SUN | MON |
|-------|-----|-----|-----|-----|-----|-----|-------|-----|-----|-----|-----|-----|-----|-------|-----|-----|-----|-----|-----|-----|-------|-----|-----|-----|-----|-----|-----|-----|-----|-----|
| 1     | 2   | 3   | 4   | 5   | 6   | 7   | 8     | 9   | 10  | 11  | 12  | 13  | 14  | 15    | 16  | 17  | 18  | 19  | 20  | 21  | 22    | 23  | 24  | 25  | 26  | 27  | 28  | 29  | 30  | 31  |
| WK 19 |     |     |     |     |     |     | WK 20 |     |     |     |     |     |     | WK 21 |     |     |     |     |     |     | WK 22 |     |     |     |     |     |     |     |     |     |

# ALUCOBOND®

## Design | Construction ALUCOBOND® Tray Panels System - Sealed Joint



Horizontal Section



Vertical Section

All drawings are for illustration only. For design details suitable for your location contact our technical service or an ALUCOBOND® representative near you.

Ajdan Complex  
Al Khobar | Saudi Arabia

|                      |   |   |
|----------------------|---|---|
| Building Owner       | : | First Company For Real Estate Development |
| Architect            | : | Benoy                                     |
| Completed Year       | : | 2020                                      |
| Fabricator/Installer | : | Technical Choices Est                     |
| Product              | : | ALUCOBOND® PLUS 4mm                       |
| Surface Finish       | : | PVDF / FEVE coil-coated                   |
| Color                | : | Natural Brushed 400                       |
| Photo Credit         | : | Mohammed Arwani                           |



# ALUCOBOND®



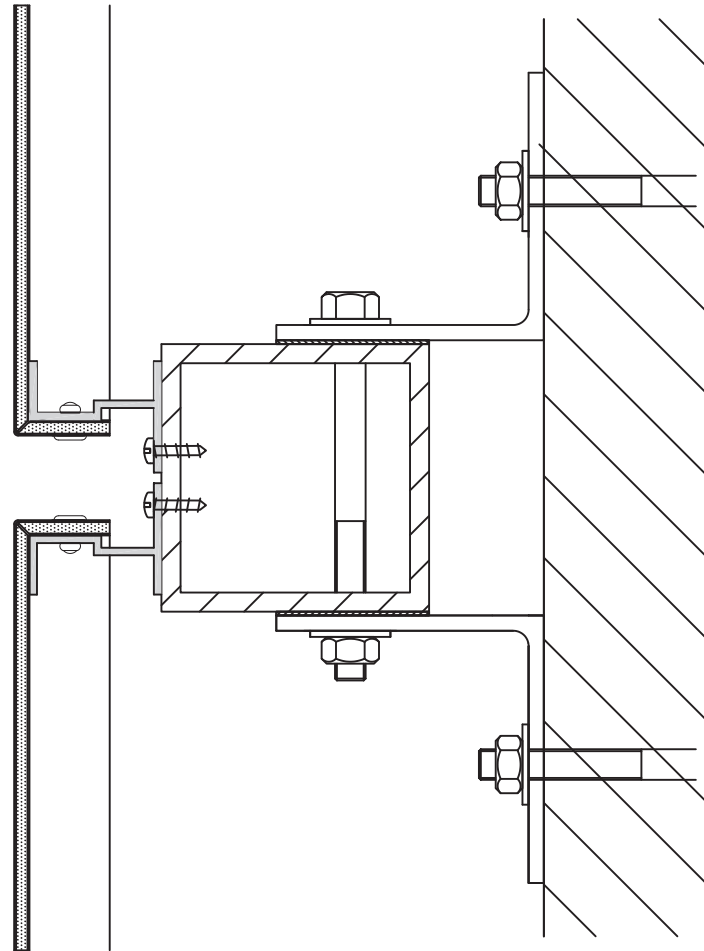
Petra University | Surabaya, Indonesia

## June 2021

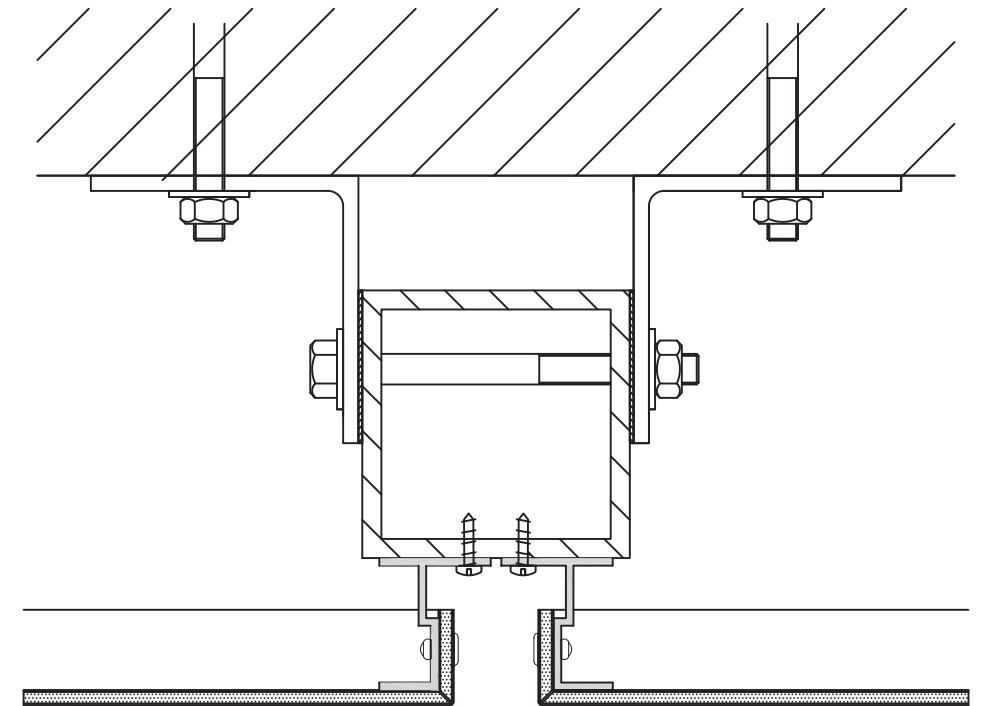
| TUE   | WED | THU | FRI | SAT | SUN | MON   | TUE | WED | THU | FRI | SAT | SUN   | MON | TUE | WED | THU | FRI | SAT   | SUN | MON | TUE | WED |    |    |    |    |    |    |    |
|-------|-----|-----|-----|-----|-----|-------|-----|-----|-----|-----|-----|-------|-----|-----|-----|-----|-----|-------|-----|-----|-----|-----|----|----|----|----|----|----|----|
| 1     | 2   | 3   | 4   | 5   | 6   | 7     | 8   | 9   | 10  | 11  | 12  | 13    | 14  | 15  | 16  | 17  | 18  | 19    | 20  | 21  | 22  | 23  | 24 | 25 | 26 | 27 | 28 | 29 | 30 |
| WK 23 |     |     |     |     |     | WK 24 |     |     |     |     |     | WK 25 |     |     |     |     |     | WK 26 |     |     |     |     |    |    |    |    |    |    |    |

# ALUCOBOND®

## Design | Construction ALUCOBOND® Tray Panels System - Open Joint | Perforated & Non Perforated



Vertical Section



Vertical Section

All drawings are for illustration only. For design details suitable for your location contact our technical service or an ALUCOBOND® representative near you.

Petra University  
Surabaya | Indonesia

|                      |   |
|----------------------|---|
| Building Owner       | : Universitas Kristen Petra   |
| Architect            | : PT. Archimetric   |
| Completed Year       | : 2016  |
| Fabricator/Installer | : CV. Dika Konstruksi   |
| Product              | : ALUCOBOND® PE 4mm Perforated & Non Perforated   |
| Surface Finish       | : PVDF / FEVE coil-coated   |
| Color                | : Natural Reflect 405, Brilliant Metallic 602, Dark Grey Metallic 505, Lemon 8200, Navy Blue 9336 |
| Photo Credit         | : Syafril Sujatmoko   |



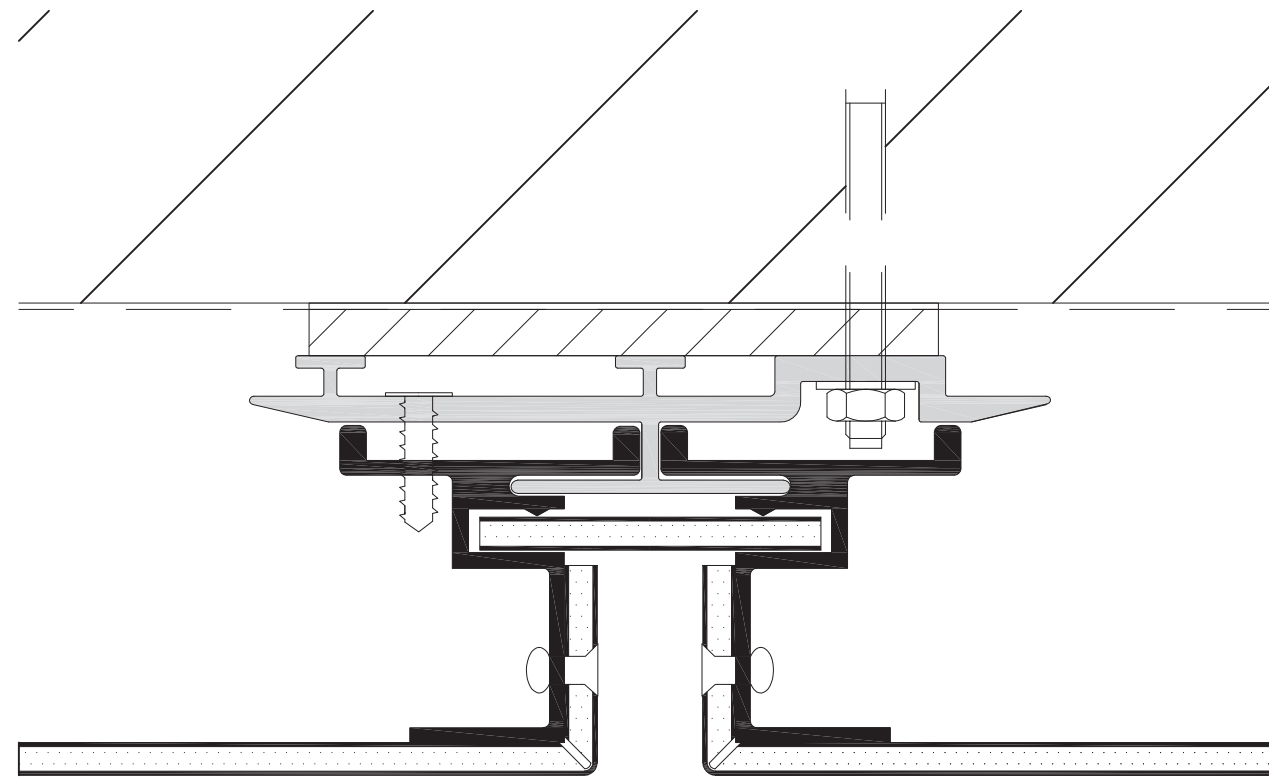
Lauridsen Amphitheater | Des Moines, USA

## July 2021

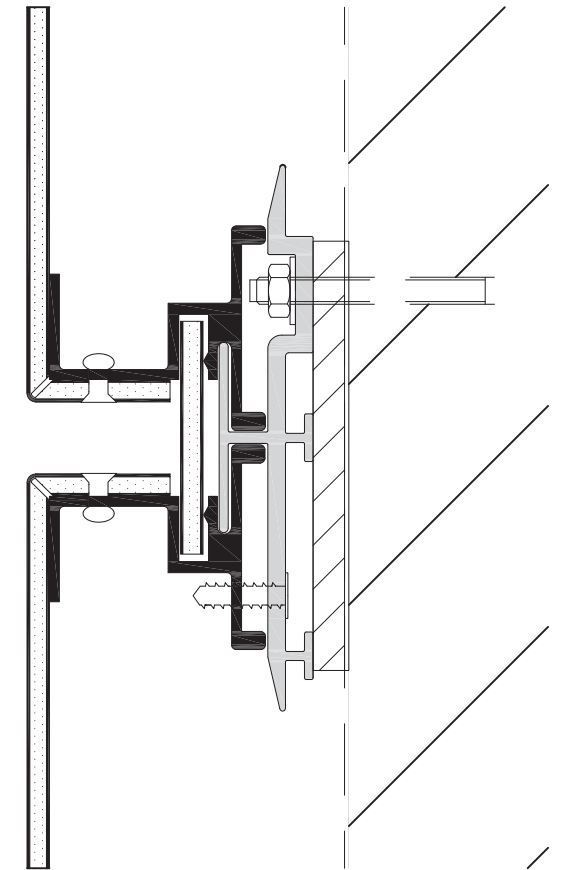
| THU   | FRI | SAT | SUN | MON   | TUE | WED | THU | FRI   | SAT | SUN | MON | TUE   | WED | THU | FRI | SAT   | SUN | MON | TUE | WED | THU | FRI | SAT | SUN | MON | TUE | WED | THU | FRI | SAT |
|-------|-----|-----|-----|-------|-----|-----|-----|-------|-----|-----|-----|-------|-----|-----|-----|-------|-----|-----|-----|-----|-----|-----|-----|-----|-----|-----|-----|-----|-----|-----|
| 1     | 2   | 3   | 4   | 5     | 6   | 7   | 8   | 9     | 10  | 11  | 12  | 13    | 14  | 15  | 16  | 17    | 18  | 19  | 20  | 21  | 22  | 23  | 24  | 25  | 26  | 27  | 28  | 29  | 30  | 31  |
| WK 27 |     |     |     | WK 28 |     |     |     | WK 29 |     |     |     | WK 30 |     |     |     | WK 31 |     |     |     |     |     |     |     |     |     |     |     |     |     |     |

# ALUCOBOND®

## Design | Construction ALUCOBOND® Tray Panel System - Special Design



Horizontal Section



Vertical Section

All drawings are for illustration only. For design details suitable for your location contact our technical service or an ALUCOBOND® representative near you.

Lauridsen Amphitheater  
Des Moines | USA

|                      |   |  |
|----------------------|---|--|
| Building Owner       | : | Des Moines Water Works                         |
| Architect            | : | RDG Planning & Design                          |
| Completed Year       | : | 2019   |
| Fabricator/Installer | : | Metal Design System Inc. / The Waldinger Corp. |
| Product              | : | ALUCOBOND® PLUS 4mm                            |
| Surface Finish       | : | PVDF / FEVE coil-coated                        |
| Color                | : | Spectra Sakura 917, Natural Reflect 405        |
| Photo Credit         | : | © Joe Crimmings                                |



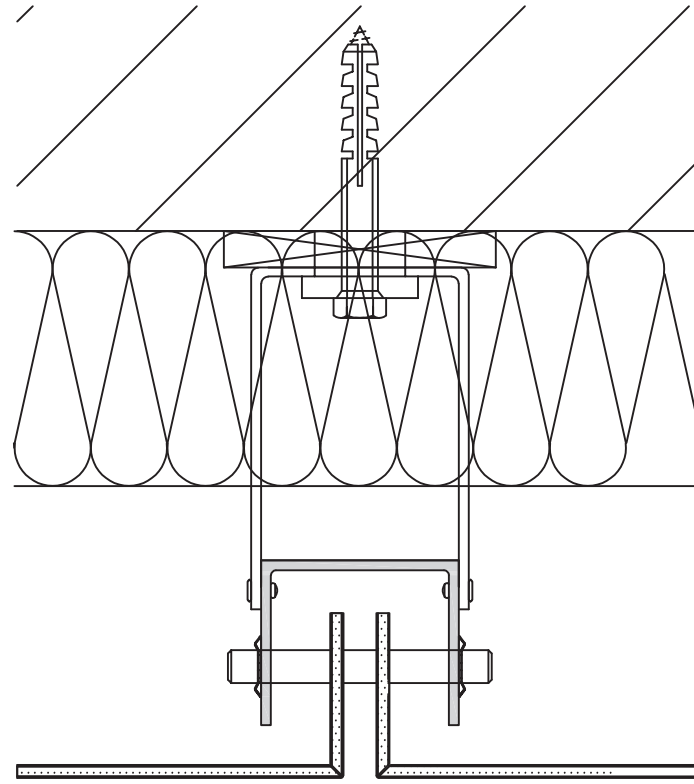
Tour Elithis | Strasbourg, France

## August 2021

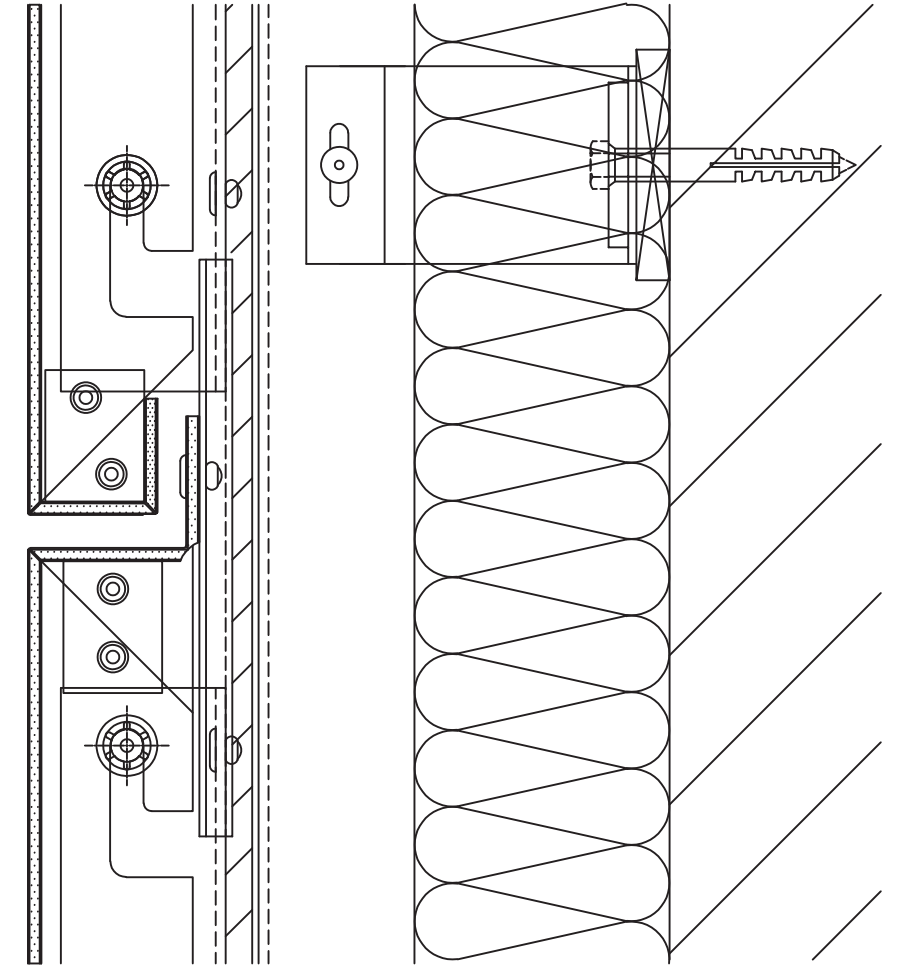
| SUN   | MON | TUE | WED | THU | FRI | SAT | SUN   | MON | TUE | WED | THU | FRI | SAT | SUN   | MON | TUE | WED | THU | FRI | SAT | SUN   | MON | TUE |    |    |    |    |    |    |    |
|-------|-----|-----|-----|-----|-----|-----|-------|-----|-----|-----|-----|-----|-----|-------|-----|-----|-----|-----|-----|-----|-------|-----|-----|----|----|----|----|----|----|----|
| 1     | 2   | 3   | 4   | 5   | 6   | 7   | 8     | 9   | 10  | 11  | 12  | 13  | 14  | 15    | 16  | 17  | 18  | 19  | 20  | 21  | 22    | 23  | 24  | 25 | 26 | 27 | 28 | 29 | 30 | 31 |
| WK 32 |     |     |     |     |     |     | WK 33 |     |     |     |     |     |     | WK 34 |     |     |     |     |     |     | WK 35 |     |     |    |    |    |    |    |    |    |

# ALUCOBOND®

## Design | Construction ALUCOBOND® Tray Panels Suspended



Horizontal Section



Vertical Section

All drawings are for illustration only. For design details suitable for your location contact our technical service or an ALUCOBOND® representative near you.

Tour Elithis  
Strasbourg | France

|                      |   |
|----------------------|---|
| Architect            | : XTU Architects  |
| Completed Year       | : 2018  |
| Fabricator/Installer | : Atalu   |
| Product              | : ALUCOBOND® A2 & ALUCOBOND® PLUS   |
| Surface Finish       | : PVDF / FEVE coil-coated   |
| Color                | : ALUCOBOND® A2 – Black 326 & Natural Brushed 400; ALUCOBOND® PLUS – Natural Line 401 |
| Photo Credit         | : Elisabeth Leblanc   |



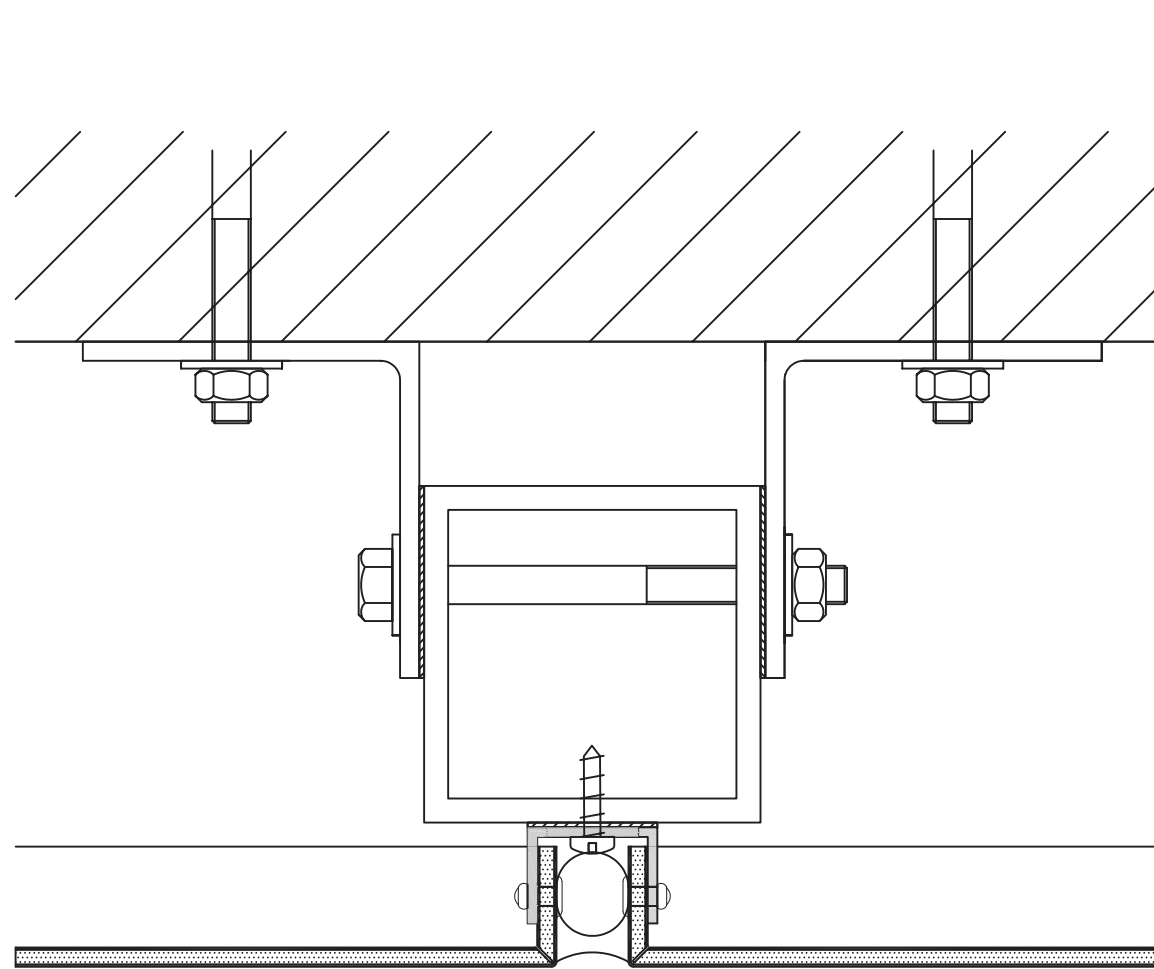
Doubletree Hilton Hotel | Shanwei, China

## September 2021

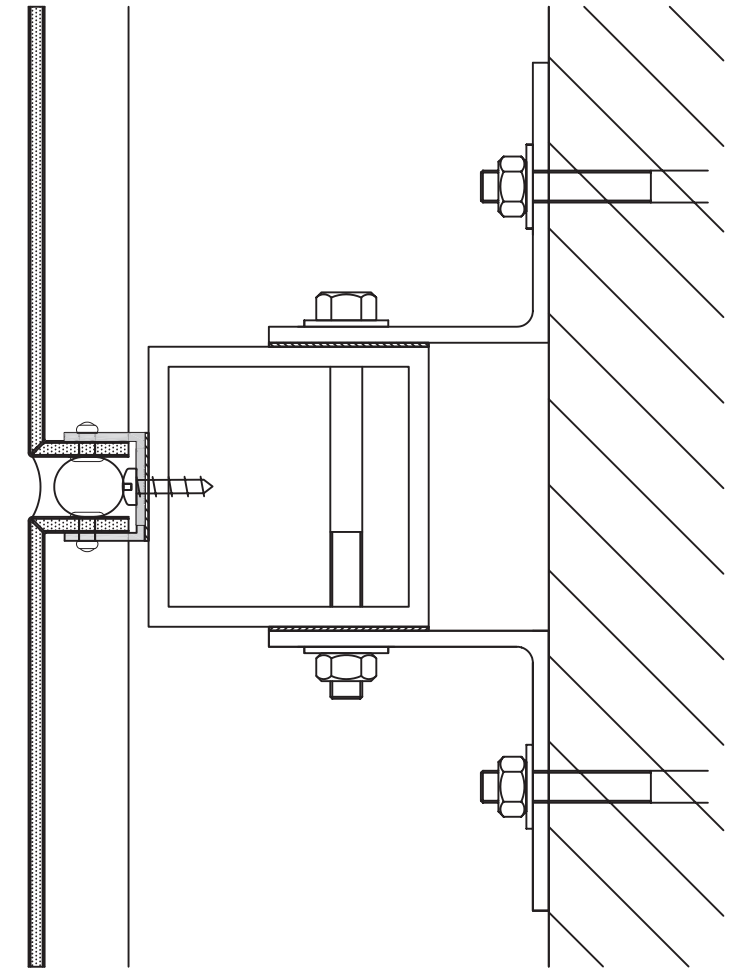
| WED   | THU | FRI | SAT | SUN | MON   | TUE | WED | THU | FRI | SAT   | SUN | MON | TUE | WED | THU   | FRI | SAT | SUN | MON | TUE   | WED | THU | FRI | SAT | SUN | MON | TUE | WED | THU |
|-------|-----|-----|-----|-----|-------|-----|-----|-----|-----|-------|-----|-----|-----|-----|-------|-----|-----|-----|-----|-------|-----|-----|-----|-----|-----|-----|-----|-----|-----|
| 1     | 2   | 3   | 4   | 5   | 6     | 7   | 8   | 9   | 10  | 11    | 12  | 13  | 14  | 15  | 16    | 17  | 18  | 19  | 20  | 21    | 22  | 23  | 24  | 25  | 26  | 27  | 28  | 29  | 30  |
| WK 36 |     |     |     |     | WK 37 |     |     |     |     | WK 38 |     |     |     |     | WK 39 |     |     |     |     | WK 40 |     |     |     |     |     |     |     |     |     |

# ALUCOBOND®

## Design | Construction ALUCOBOND® Tray Panels System - Sealed Joint



Horizontal Section



Vertical Section

All drawings are for illustration only. For design details suitable for your location contact our technical service or an ALUCOBOND® representative near you.

Doubletree Hilton Hotel  
Shanwei | China

|                      |  |
|----------------------|--|
| Building Owner       | : Doubletree by Hilton   |
| Architect            | : Dahlin Group Architecture Guangzhou Municipal Engineering Design & Research Institute Co., Ltd |
| Completed Year       | : 2019   |
| Fabricator/Installer | : China Construction Third Engineering Bureau Co., Ltd   |
| Product              | : ALUCOBOND® PLUS 4mm  |
| Surface Finish       | : PVDF / FEVE coil-coated  |
| Color                | : ALUCOBOND® legno W011 (Wood look)  |
| Photo Credit         | : Mark Shen  |



# ALUCORE®



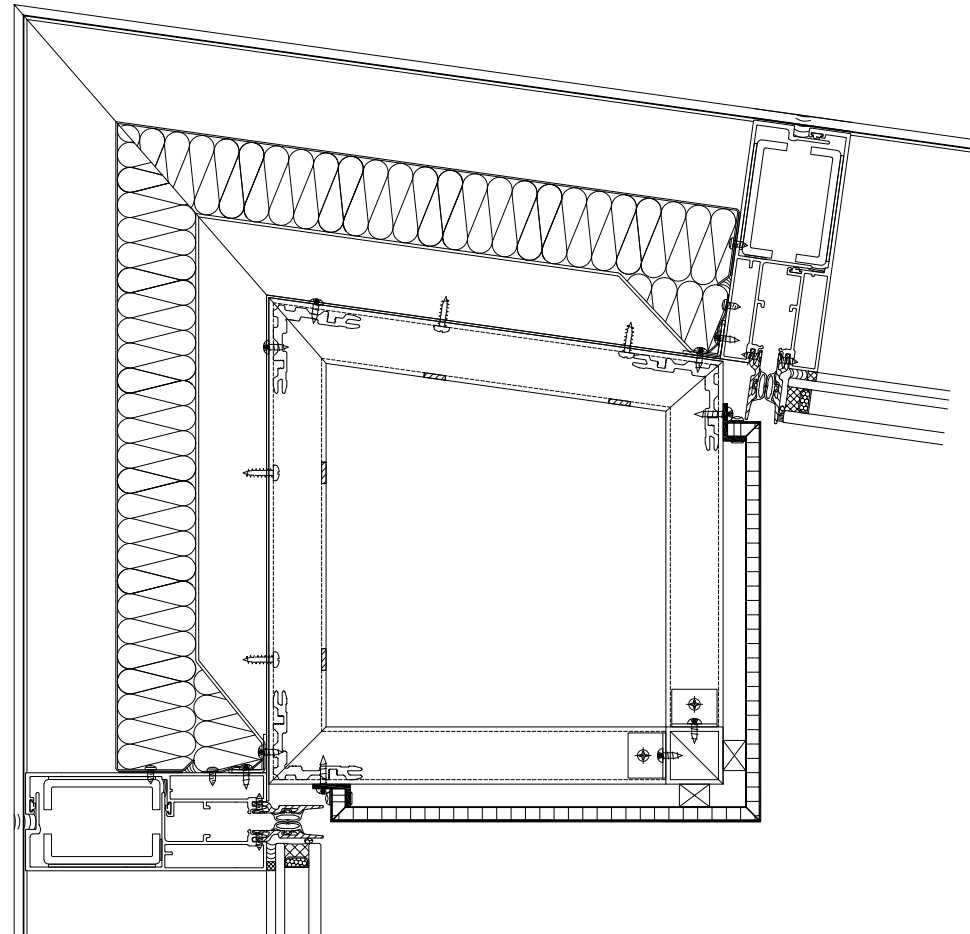
Max Towers | Noida, India

## October 2021

| FRI   | SAT | SUN | MON | TUE | WED | THU | FRI   | SAT | SUN | MON | TUE | WED | THU | FRI   | SAT | SUN | MON | TUE | WED | THU | FRI   | SAT | SUN |    |    |    |    |    |    |    |
|-------|-----|-----|-----|-----|-----|-----|-------|-----|-----|-----|-----|-----|-----|-------|-----|-----|-----|-----|-----|-----|-------|-----|-----|----|----|----|----|----|----|----|
| 1     | 2   | 3   | 4   | 5   | 6   | 7   | 8     | 9   | 10  | 11  | 12  | 13  | 14  | 15    | 16  | 17  | 18  | 19  | 20  | 21  | 22    | 23  | 24  | 25 | 26 | 27 | 28 | 29 | 30 | 31 |
| WK 41 |     |     |     |     |     |     | WK 42 |     |     |     |     |     |     | WK 43 |     |     |     |     |     |     | WK 44 |     |     |    |    |    |    |    |    |    |

# ALUCORE®

Design | Construction  
ALUCORE®  
Special System



Vertical Section

All drawings are for illustration only. For design details suitable for your location contact our technical service or an ALUCOBOND® representative near you.

Max Towers  
Noida | India

|                      |  |
|----------------------|--|
| Building Owner       | : Max Realty Ltd.                              |
| Architect            | : Gensler                                      |
| Completed Year       | : 2019   |
| Fabricator/Installer | : Ashbee Industries India Pvt. Ltd.            |
| Product              | : ALUCORE®                                     |
| Surface Finish       | : PVDF / FEVE coil-coated                      |
| Color                | : ALUCORE® - Champagne Gold 77117 (Customised) |
| Photo Credit         | : Rohit Kumar                                  |



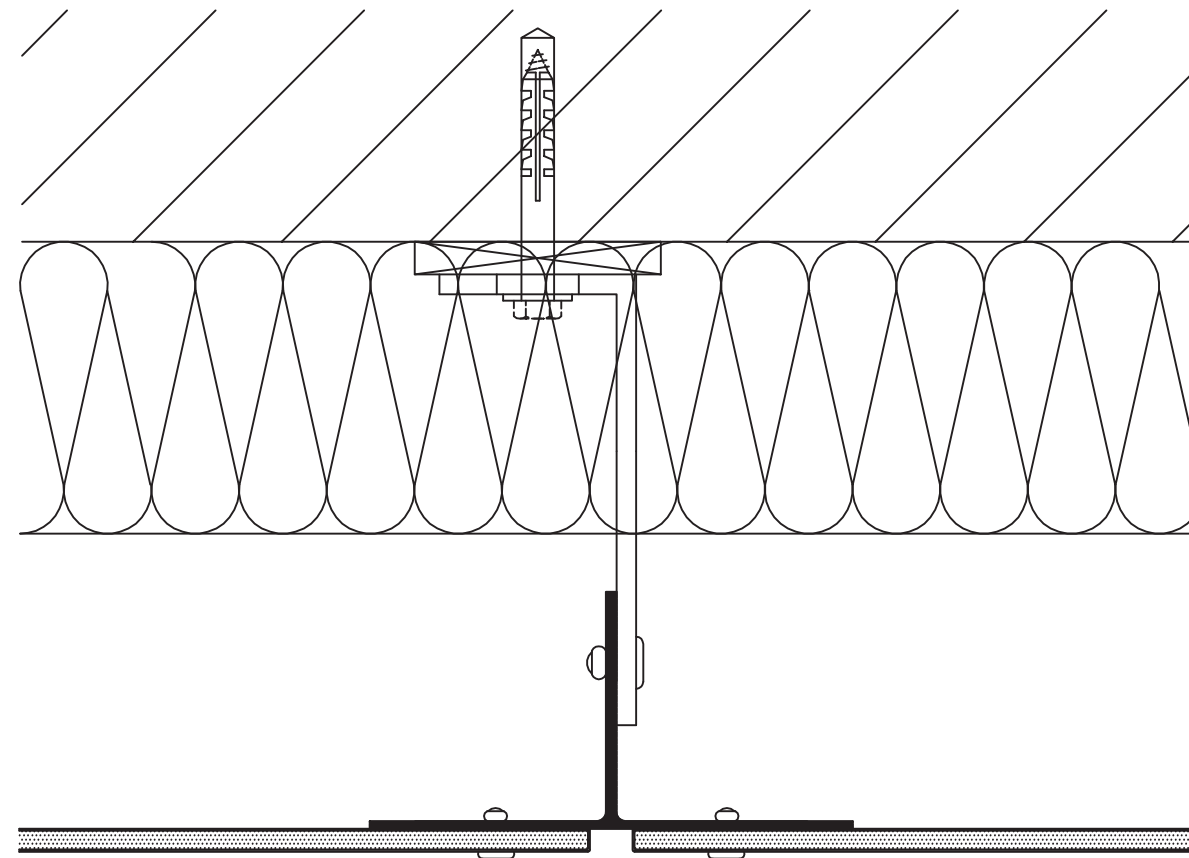
Indoor Swimming Pool | Riedlingen, Germany

## November 2021

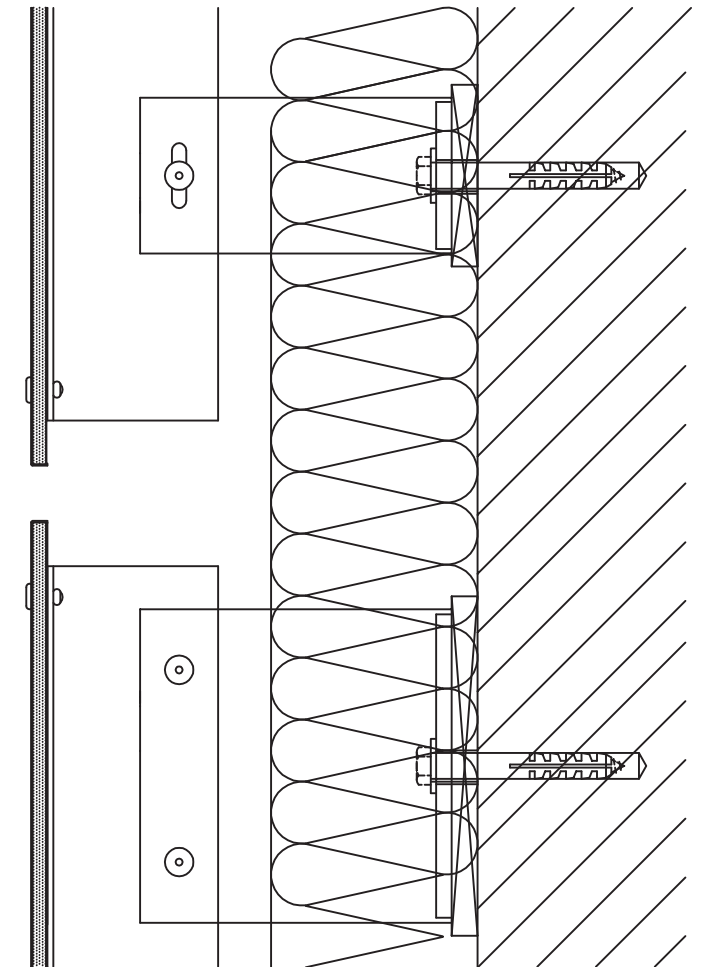
| MON   | TUE | WED | THU | FRI | SAT | SUN | MON   | TUE | WED | THU | FRI | SAT | SUN | MON   | TUE | WED | THU | FRI | SAT | SUN | MON   | TUE |    |    |    |    |    |    |    |
|-------|-----|-----|-----|-----|-----|-----|-------|-----|-----|-----|-----|-----|-----|-------|-----|-----|-----|-----|-----|-----|-------|-----|----|----|----|----|----|----|----|
| 1     | 2   | 3   | 4   | 5   | 6   | 7   | 8     | 9   | 10  | 11  | 12  | 13  | 14  | 15    | 16  | 17  | 18  | 19  | 20  | 21  | 22    | 23  | 24 | 25 | 26 | 27 | 28 | 29 | 30 |
| WK 45 |     |     |     |     |     |     | WK 46 |     |     |     |     |     |     | WK 47 |     |     |     |     |     |     | WK 48 |     |    |    |    |    |    |    |    |

# ALUCOBOND®

## Design | Construction ALUCOBOND® Riveted/ Screwed



Horizontal Section



Vertical Section

All drawings are for illustration only. For design details suitable for your location contact our technical service or an ALUCOBOND® representative near you.

Indoor Swimming Pool  
Riedlingen | Germany

Architect : 4a Architekten  
Completed Year : 2018  
Fabricator/Installer : Schütz & Musch GmbH  
Product : ALUCOBOND® PLUS 4mm  
Surface Finish : PVDF / FEVE coil-coated  
Color : Spectra Cupral 913  
Photo Credit : Uwe Ditz



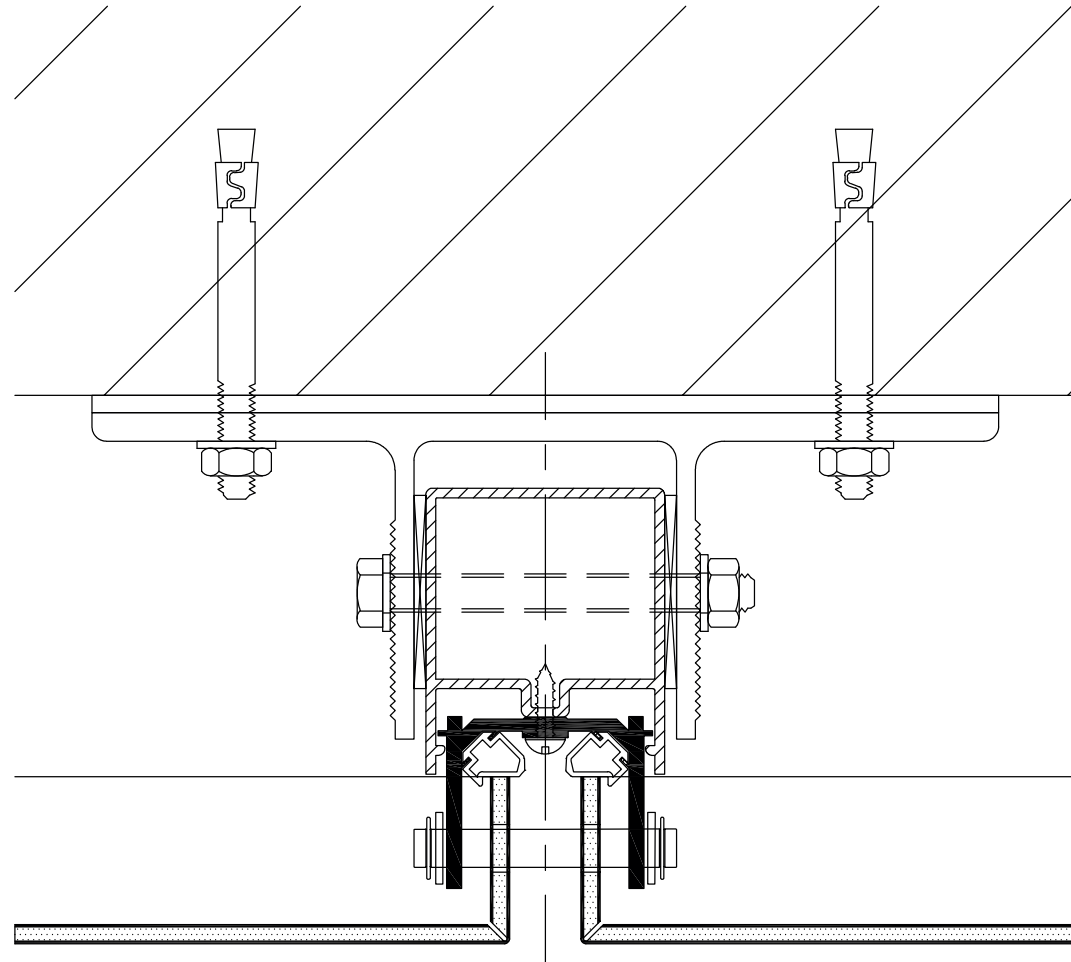
Riyadh Front | Riyadh, Saudi Arabia

## December 2021

| WED   | THU | FRI | SAT | SUN | MON   | TUE | WED | THU | FRI | SAT   | SUN | MON | TUE | WED | THU   | FRI | SAT | SUN | MON | TUE   | WED | THU | FRI |    |    |    |    |    |    |    |
|-------|-----|-----|-----|-----|-------|-----|-----|-----|-----|-------|-----|-----|-----|-----|-------|-----|-----|-----|-----|-------|-----|-----|-----|----|----|----|----|----|----|----|
| 1     | 2   | 3   | 4   | 5   | 6     | 7   | 8   | 9   | 10  | 11    | 12  | 13  | 14  | 15  | 16    | 17  | 18  | 19  | 20  | 21    | 22  | 23  | 24  | 25 | 26 | 27 | 28 | 29 | 30 | 31 |
| WK 49 |     |     |     |     | WK 50 |     |     |     |     | WK 51 |     |     |     |     | WK 52 |     |     |     |     | WK 53 |     |     |     |    |    |    |    |    |    |    |

# ALUCOBOND®

## Design | Construction ALUCOBOND® Tray Panels System - Hook On - Open Joint | Perforated & 3D



Horizontal Section

All drawings are for illustration only. For design details suitable for your location contact our technical service or an ALUCOBOND® representative near you.

Riyadh Front  
Riyadh | Saudi Arabia

|                      |  |
|----------------------|--|
| Building Owner       | : Kaden Real Estate Development  |
| Architect            | : CallisonRTKL   |
| Completed Year       | : 2020   |
| Fabricator/Installer | : Dar Metal Industries   |
| Product              | : ALUCOBOND® PLUS 4mm  |
| Surface Finish       | : PVDF / FEVE coil-coated  |
| Color                | : Wood W010, Rusted 4060, Grey Metallic 502, Brilliant Metallic 602, Gold Metallic 601 |
| Photo Credit         | : Mohammed Arwani  |