

ALUCOBOND®
ALUCOLUX®

2024



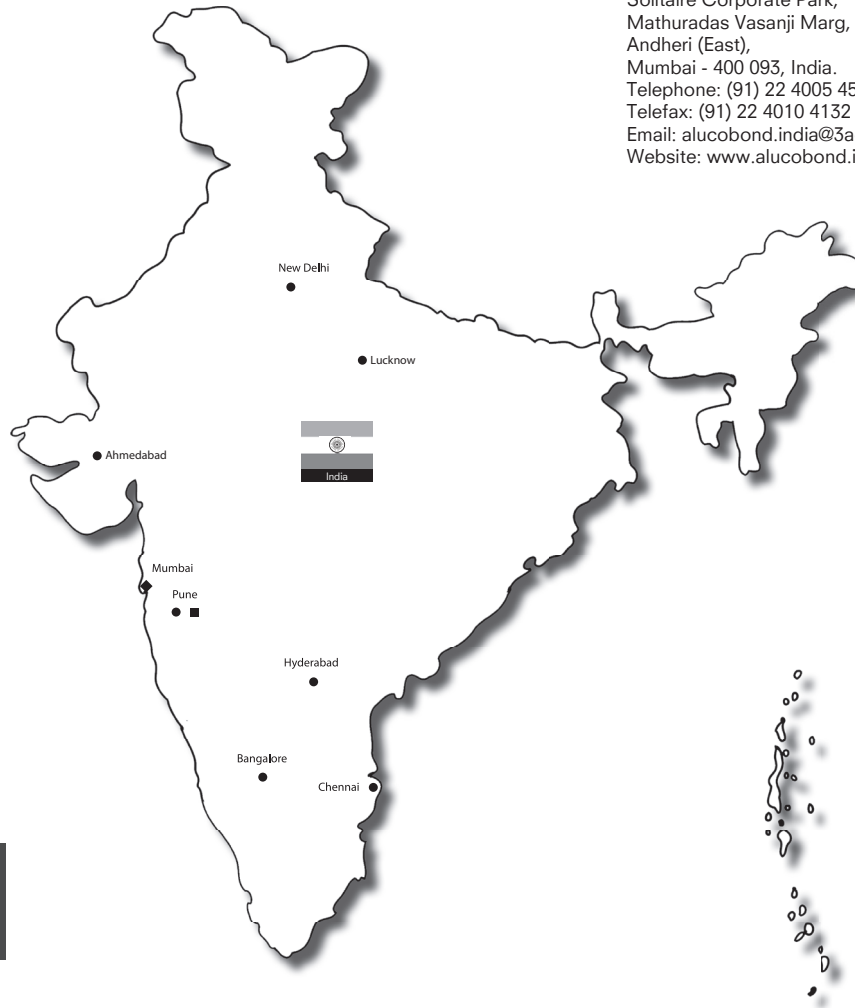
ALUCOBOND® A2 / PLUS / PE

ALUCORE®

ALUCOLUX®

3A Composites India Pvt. Ltd.

Bldg. No. 11, Unit No. 1112, 1st Floor,
Solitaire Corporate Park,
Mathuradas Vasanji Marg,
Andheri (East),
Mumbai - 400 093, India.
Telephone: (91) 22 4005 4500
Telefax: (91) 22 4010 4132
Email: alucobond.india@3acomposites.com
Website: www.alucobond.in



- ◆ - Alucobond Head Office
- - Alucobond Plant
- - Alucobond Sales Offices

ALUCOBOND® A2 / PLUS / PE ALUCORE® CLAD ALUCOLUX®

3A Composites (China) Ltd.

Room 1902-1903
Hongkong Prosperity Tower
Mengzi Road No. 763
Huangpu Shanghai
China
Telephone: 86 21 6315 8550
Email: alucobond.china@3acomposites.com
www.alucobond.com.cn

思瑞安复合材料(中国)有限公司
中国

上海市
蒙自路763号
丰盛创建大厦
1902-1903室
电话: 86 21 6315 8550
电邮: alucobond.china@3acomposites.com
www.alucobond.com.cn

Alucobond Composites (Jiangsu) Ltd.

10 South Hehuan Road
Zhonglou District, Changzhou, China - 213023
Telephone: 86 519 8166 5766

阿鲁克邦复合材料(江苏)有限公司
中国江苏省常州市钟楼区
合欢南路10号
邮编: 213023
电话: 86 519 8166 5766

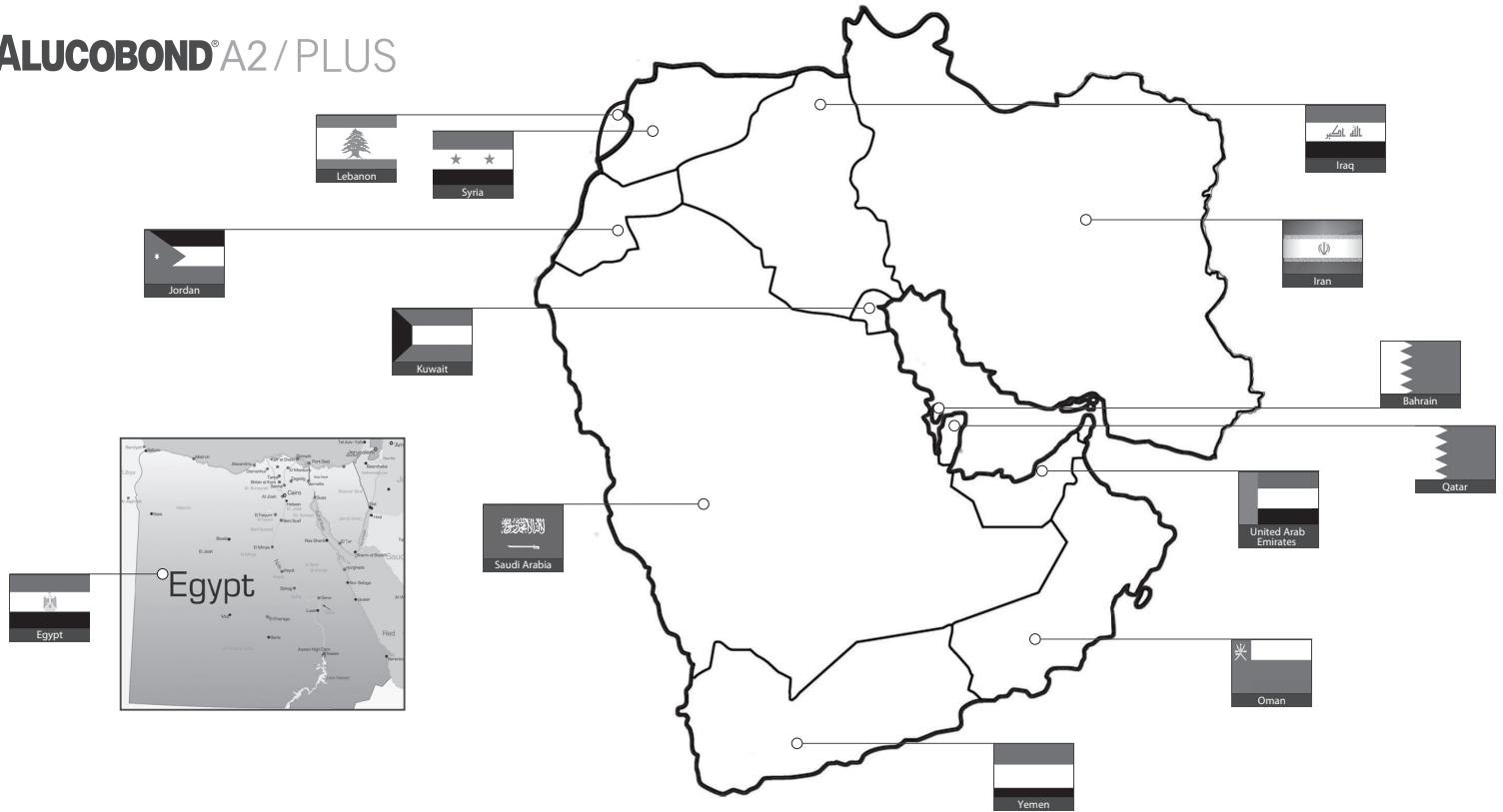
SALES OFFICE IN BEIJING:

Beijing. 3A Composites (China) Ltd.
No. 87 Hegezhuang
Chaoyang District, Beijing, China - 100103
Telephone: 86 10 6552 6755

思瑞安复合材料(中国)有限公司 北京办事处
中国北京市朝阳区何各庄87号院
邮编:100103
电话: 86 10 6552 6755

For more information, please contact us.
如有需求, 敬请联络

ALUCOBOND® A2/PLUS



MIDDLE EAST SUPPORT CENTRE:

3A Composites Middle East (Branch)
 Almas Tower, JLT
 P.O Box: 343522
 Dubai
 United Arab Emirates
 Mobile: +971 58 535 1721
 Email: basel.massis@3acomposites.com
 www.alucobond.com

FAR EAST SUPPORT CENTRE:

3A Composites Asia Pacific Pte. Ltd.
 300 Beach Road
 #10-06 The Concourse
 Singapore 199555
 Telephone: (65) 6303 9750
 Telefax: (65) 6303 9751
 Email: sales@alucobond.com.sg
 www.alucobond.com.sg

MANUFACTURER:

3A Composites Gmbh
 Alusingenplatz 1
 78224 Singen, Germany
 Telephone: (49) 7731 941 2347
 Email: info@alucobond.com
 www.alucobond.com

MANUFACTURER:

3A Composites (China) Ltd.
 Room 1902-1903
 Hongkong Prosperity Tower
 Mengzi Road No. 763
 Huangpu Shanghai
 China
 Telephone: 021 6315 8550
 Email: alucobond.china@3acomposites.com
 www.alucobond.com.cn

MANUFACTURER:

3A Composites India Pvt. Ltd.
 Bldg. No. 11, Unit No. 1112, 1st Floor
 Solitaire Corporate Park
 Mathuradas VasANJI Marg
 Andheri (East)
 Mumbai - 400 093, India
 Telephone: (91) 22 4005 4500
 Telefax: (91) 22 4010 4132
 Email: alucobond.india@3acomposites.com
 www.alucobond.in

ALUCOBOND® A2/PLUS



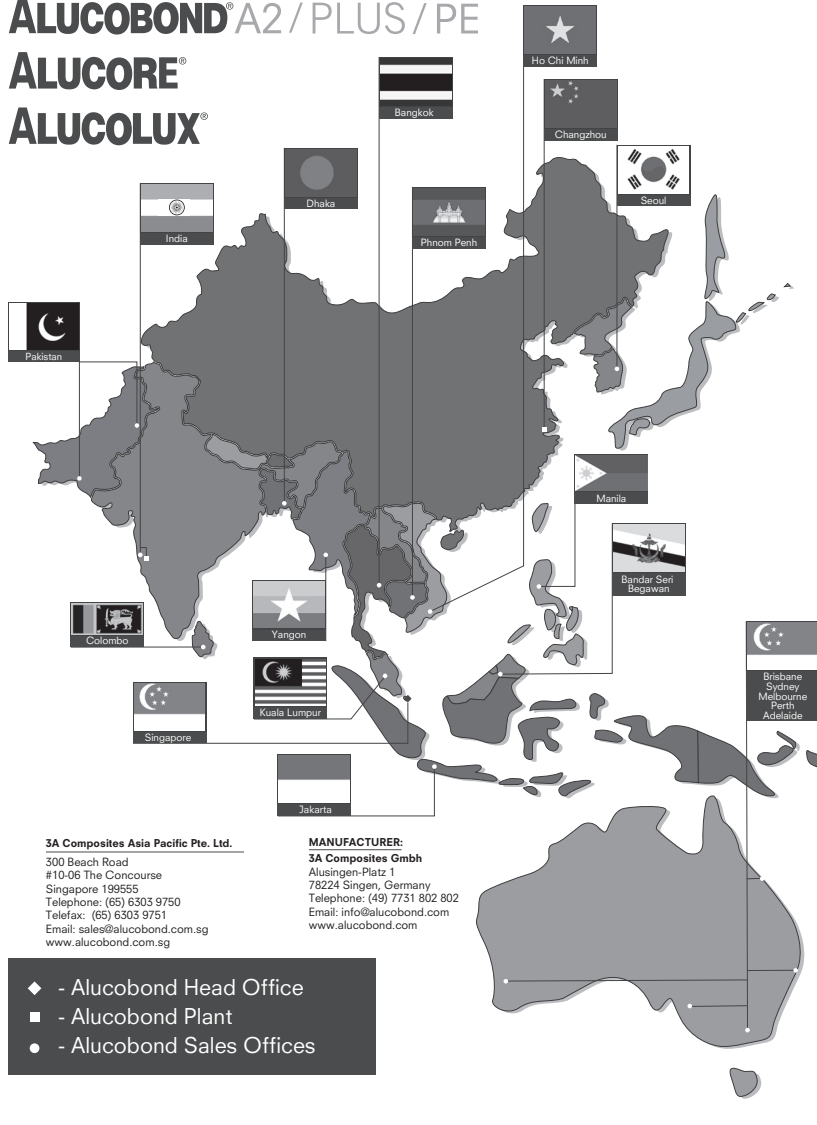
Manufacturing, Technical Service & Customer Relations

3A Composites USA
208 W. 5th Street
Benton, KY 42025
800-626-3365
270-527-4200

Davidson, NC Headquarters

3A Composites USA
721 Jetton Street, Suite 325
Davidson, NC 28036
Nick Scheib
General Manager, Architectural Division
800-626-3365
info.usa@3acomposites.com

ALUCOBOND® A2 / PLUS / PE ALUCORE® ALUCOLUX®



DISTRIBUTORS/AGENTS:

AUSTRALIA
CSP - Architectural Pty Ltd
1029-1035 Western Highway,
Ravenhall 3023
Victoria, Australia
Tel: +613 9361 9999
www.alucolux.com

AUSTRALIA
ALUCOR Architectural
A Division of Halifax Vogel Pty Limited
25 West Park Drive
Derrimut Victoria 3012
Australia
Telephone: (61) 3 9394 3131
Telefax: (61) 3 9394 3129
Email: info@alucobond.com.au
www.alucobond.com.au

BANGLADESH
Housing & Technology Limited
Gagan Shresh (2nd Floor)
76, 76/1 East Raza Bazar
Panthapath, Dhaka 1215
Bangladesh
Telephone: (880) 2 814 5765/815 1146
Telefax: (880) 2 814 4180
Email: ht@hbd.com.com
www.alucobond.com.bd

BRUNEI
Maju Jaya Sdn Bhd
Unit 5, Ground Floor
Simpang 607-17 Beribi Komplex
Jalan Gadong BE1118
Bandar Seri Begawan
Brunei Darussalam
Telephone: (673) 2 663 950/952
Telefax: (673) 2 663 971
Email: majujayasdnbhd8727@gmail.com
admin@majujaya168.com
www.alucobond.com.bn

CAMBODIA
Parbury Investments Co., Ltd
TK Central Building 16F St.287, Phum 13,
SK Boeung Kok 1, Kh Toul Kork,
Phnom Penh, Cambodia
Telephone: +855 (0) 23 901 931
Email: seakkhun.heng@parbury.com.kh
info@parbury.com.kh
www.parbury.com.kh

FJI ISLANDS
Vinod Patel & Co. Ltd.
1 Ratu Dovi Road, Centerpoint
G.P.O Box 14416, Suva
Fiji Islands
Telephone: (679) 339 3111
Telefax: (679) 339 9897



INDONESIA
PT Alucobond Far East Indonesia
Revenue Tower, 19F, District 8
Jl. Jenderal Sudirman Kav 52-53 SCBD
Jakarta Selatan 12190, DKI Jakarta
Indonesia
Phone : +62 21 3952-5918

JAPAN
3A Composites Asia Pacific Pte. Ltd.
300 Beach Road
#10-06 The Concourse
Singapore 199555
Telephone: (65) 6303 9750
Telefax: (65) 6303 9751
Email: sales@alucobond.com.sg
www.alucobond.com.sg

KOREA
Y B International Co.
Suite 503 Handuk Bldg
649-4 Yuksam-Dong
Kangnam-ku; Seoul, Korea
Telephone: (82) 2 567 1261/3
Telefax: (82) 2 567 1264
Email: ybaluco@chol.com
www.alucobond.co.kr

MALAYSIA
3A Composites Malaysia Sdn. Bhd.
Penthouse (level 27),
Centrepoint South Tower
Mid Valley City,
Lingkaran Syed Putra,
59200 Kuala Lumpur, Malaysia
Tel: +65 6303 9750
www.alucobond.com.my

MYANMAR
Alu-Guardian Trading Company Ltd.
No.27, Khay Mar Thi street,
Mt Gyauang Kan ward 3,
Thingangyun, Yangon,
Myanmar
Tel: 09955153995
Email: htteyemon.94@gmail.com

PAKISTAN
Jaffer Brothers (Pvt) Limited
Karachi Head Office
Citi Tower, 33-A, Block 6,
P.E.C.H.S., Shahrah-e-Faisal,
Karachi 75400, Pakistan.
UAN: +92 (21) 111-527-527
Fax: +92 (21) 3437-3073
0300-8580451 / 0345-2699056
Email: malik.mohsin@jaffer.com
huzafa.khan@jaffer.com
www.jaffer.com

Vizone Innovations (Pvt.) Ltd.
40 C, Sunder Industrial Estate,
Raiwind Road,
Lahore - 55110,
Pakistan.
Telephone: +92 42 35297456,
+92 300 8496637,
Email: info@vizone.com
kashif.rehman@vizone.com
www.vizone.com

MANUFACTURER:
Alucobond Composites (Jaingsu) Ltd.
10 South Hehuan Road
Zhonglou, Changzhou 213023 China
Telephone: 0519 8168 5766
Email: alucobond.china@3acomposites.com
www.alucobond.com.cn

MANUFACTURER:
3A Composites India Pvt. Ltd.
Bldg. No. 11, Unit No. 1112, 1st Floor
Sollaire Corporate Park, Mathuradas Vasani Marg
Chakala, Andheri (East), Mumbai-400 083, India
Telephone: (91) 22 4256 4500
Telefax: (91) 22 4256 4545
Email: alucobond.india@3acomposites.com
Website: www.alucobond.in | www.3acomposites.com

NEW ZEALAND
The Building Agency
14 Link Drive
Wairua Valley
Auckland 0627
Telephone: (64) 09-4152669
Email: info@buildingagency.co.nz
www.thebuildingagency.co.nz

SINGAPORE
3A Composites Asia Pacific Pte. Ltd.
300 Beach Road
#10-06 The Concourse
Singapore 199555
Telephone: (65) 6303 9750
Telefax: (65) 6303 9751
Email: sales@alucobond.com.sg
www.alucobond.com.sg

SRI LANKA
JC Enterprises
637/2 Sirmavo Bandaranyake
Mawatha, Colombo 14
Sri Lanka
Telephone: (94) 11 238 5404/7
Telefax: (94) 11 238 5405
Email: jeykumar@stnet.lk

THAILAND
3A Composites Asia Pacific Pte. Ltd.
CP Tower 2 (Fortune Town)
Level 21, Unit 21, 1 Radchadapisek Road
Dindaeng, Dindaeng
Bangkok 10400
Thailand
Telephone: (66)2026 7933 & (66)2026 7934
Email: sales@alucobond.com.sg
www.alucobond.com.sg

VIETNAM
3A Composites Asia Pacific Pte. Ltd.
300 Beach Road
#10-06 The Concourse
Singapore 199555
Tel: +65 6303 9750
www.alucobond.com.sg

PHILIPPINES
Fasclad, Inc.
#40 St. Dominic St. Corner Itc Comp. Rd.,
Brgy Bagbaguin, Valenzuela City Cpo1440,
Philippines
Tel: +63 919 0948628
Email: sales@fasclad.com
www.alucobond.ph

3A Composites Asia Pacific Pte. Ltd.
300 Beach Road
#10-06 The Concourse
Singapore 199555
Telephone: (65) 6303 9750
Telefax: (65) 6303 9751
Email: sales@alucobond.com.sg
www.alucobond.com.sg

MANUFACTURER:
3A Composites GmbH
Alusingen-Platz 1
78224 Singen, Germany
Telephone: (49) 7731 802 8002
Email: info@alucobond.com
www.alucobond.com

- ◆ - Alucobond Head Office
- - Alucobond Plant
- - Alucobond Sales Offices

ALUCOBOND® A2 / PLUS / PE

ALUCORE®

ALUCOLUX®



3A Composites GmbH

Alusingenplatz 1
78224 Singen
Germany
Phone: +49 7731 941-2060
E-Mail: info@alucobond.com
www.alucobond.com



ALUCOBOND®



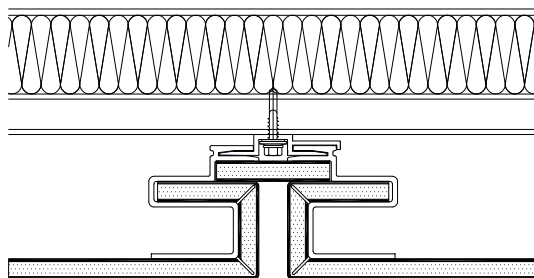
House of Music | Budapest, Hungary

January 2024

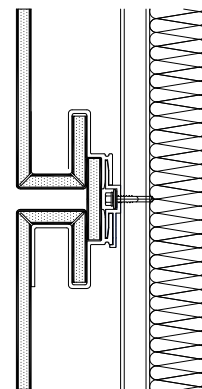
MON	TUE	WED	THU	FRI	SAT	SUN	MON	TUE	WED	THU	FRI	SAT	SUN	MON	TUE	WED	THU	FRI	SAT	SUN	MON	TUE	WED							
1	2	3	4	5	6	7	8	9	10	11	12	13	14	15	16	17	18	19	20	21	22	23	24	25	26	27	28	29	30	31
WK 1							WK 2							WK 3							WK 4									

ALUCOBOND®

Design | Construction ALUCOBOND® Custom Design



Horizontal Section



Vertical Section

All drawings are for illustration only. For design details suitable for your location contact our technical service or ALUCOBOND® representative near you.

House of Music
Budapest | Hungary

Architect : Sou Fujimoto Architects
Fabricator/Installer : Magyar Építő Zrt.
Completed Year : 2022
Product : ALUCOBOND® PLUS 4mm
Surface Finish : PVDF / FEVE Coil Coated
Color : Spectra Desert Gold (921)
Photo Credit : György Palkó

ALUCOBOND®



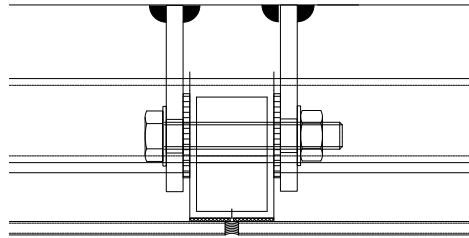
Sabarmati Highspeed Rail Terminal | Ahmedabad, India

February 2024

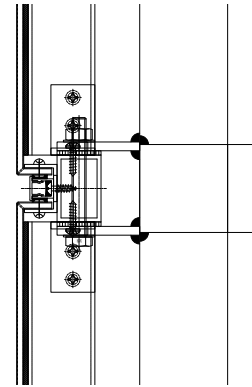
THU	FRI	SAT	SUN	MON	TUE	WED	THU	FRI	SAT	SUN	MON	TUE	WED	THU	FRI	SAT	SUN	MON	TUE	WED	THU							
1	2	3	4	5	6	7	8	9	10	11	12	13	14	15	16	17	18	19	20	21	22	23	24	25	26	27	28	29
WK 5				WK 6				WK 7				WK 8				WK 9												

ALUCOBOND®

Design | Construction ALUCOBOND® Special Design



Horizontal Section



Vertical Section

All drawings are for illustration only. For design details suitable for your location contact our technical service or ALUCOBOND® representative near you.

Sabarmati Highspeed Rail Terminal
Ahmedabad | India

Building Owner	: HSR
Architect	: Design workshop
Fabricator/Installer	: B L Kashyap
Completed Year	: 2023
Product	: ALUCOBOND® PLUS 4mm
Surface Finish	: PVDF / FEVE Coil Coated
Color	: Pure White 100, Smoke Grey 77151, Yellow 458, Bright Grey Metallic 77144
Photo Credit	: Aesthetic Vision Facade Systems Pvt. Ltd.

ALUCOBOND®



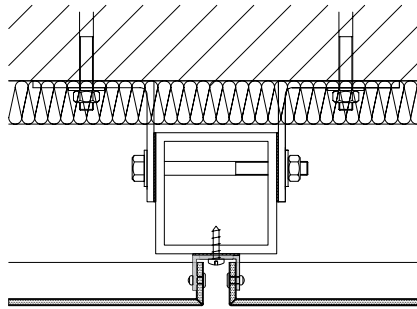
Alexandria Grad Labs | San Diego, USA

March 2024

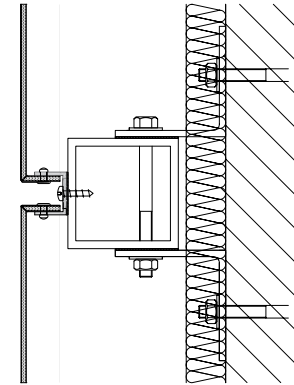
FRI	SAT	SUN	MON	TUE	WED	THU	FRI	SAT	SUN	MON	TUE	WED	THU	FRI	SAT	SUN	MON	TUE	WED	THU	FRI	SAT	SUN							
1	2	3	4	5	6	7	8	9	10	11	12	13	14	15	16	17	18	19	20	21	22	23	24	25	26	27	28	29	30	31
WK 10							WK 11							WK 12							WK 13									

ALUCOBOND®

Design | Construction ALUCOBOND® Tray Panel System – Open Joint



Horizontal Section



Vertical Section

All drawings are for illustration only. For design details suitable for your location contact our technical service or ALUCOBOND® representative near you.

Alexandria Grad Labs
San Diego | USA

Building Owner : Alexandria Real Estate Equities
Architect : SOSO Limited
Fabricator/Installer : California Sheet Metal
Completed Year : 2022
Product : ALUCOBOND® PLUS 4mm
Surface Finish : PVDF / FEVE Coil Coated
Color : Beige
Photo Credit : 3A Composites USA

ALUCOLUX®



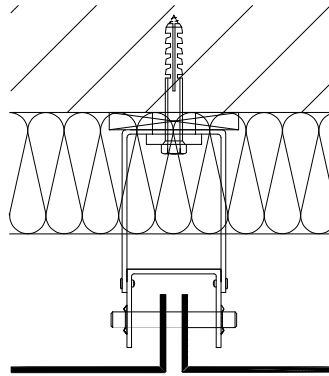
Telepark | Singapore

April 2024

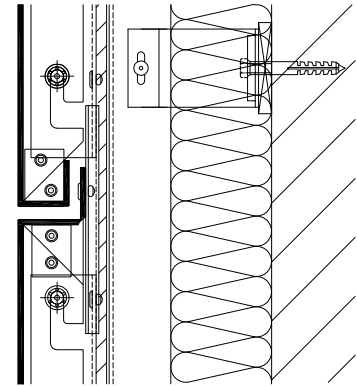
MON	TUE	WED	THU	FRI	SAT	SUN	MON	TUE	WED	THU	FRI	SAT	SUN	MON	TUE	WED	THU	FRI	SAT	SUN	MON	TUE							
1	2	3	4	5	6	7	8	9	10	11	12	13	14	15	16	17	18	19	20	21	22	23	24	25	26	27	28	29	30
WK 14							WK 15							WK 16							WK 17								

ALUCOLUX®

Design | Construction ALUCOLUX® Tray Panel System – Hook on



Horizontal Section



Vertical Section

All drawings are for illustration only. For design details suitable for your location contact our technical service or ALUCOBOND® representative near you.

Telepark | Singapore

Building Owner	:	CapitaLand Ascendas REIT
Architect	:	Façade Consultant – Arup Singapore, Architect - Chansez Pte. Ltd.
Fabricator/Installer	:	Evergreen Engineering & Construction Pte. Ltd.
Completed Year	:	2023
Product	:	ALUCOLUX® 4mm
Surface Finish	:	PVDF / FEVE Coil Coated
Color	:	Anodized Look C31/A001, C34/A004, Grey Metallic 502
Photo Credit	:	Visual Verve Studios

ALUCOBOND®



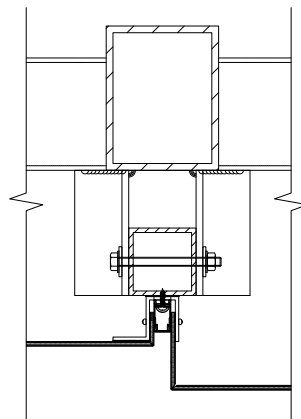
VR Innovative City Experience Center | Nanchang, China

May 2024

WED	THU	FRI	SAT	SUN	MON	TUE	WED	THU	FRI	SAT	SUN	MON	TUE	WED	THU	FRI	SAT	SUN	MON	TUE	WED	THU	FRI							
1	2	3	4	5	6	7	8	9	10	11	12	13	14	15	16	17	18	19	20	21	22	23	24	25	26	27	28	29	30	31
WK 18					WK 19					WK 20					WK 21					WK 22										

ALUCOBOND®

Design | Construction ALUCOBOND® - Special Design



Typical Section

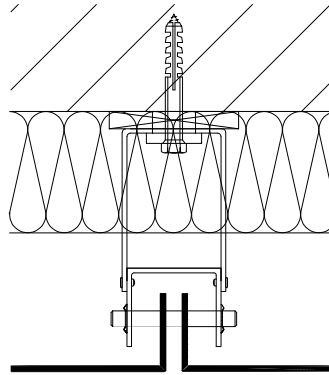
All drawings are for illustration only. For design details suitable for your location contact our technical service or ALUCOBOND® representative near you.

VR Innovative City Experience Center
Nanchang | China

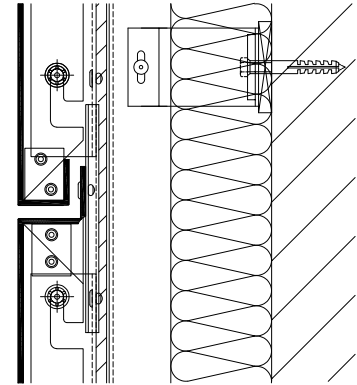
Building Owner : Greenland
Architect : UA
Fabricator/Installer : Shanghai Xincentury Curtain Wall Engineering Co.
Completed Year : 2020
Product : ALUCOBOND® PLUS 4mm
Surface Finish : PVDF / FEVE Coil Coated
Color : High Gloss Silver Metallic 9720
Photo Credit : © 3A Composites

ALUCOLUX®

Design | Construction ALUCOLUX® Tray Panel System – Hook on



Horizontal Section



Vertical Section

All drawings are for illustration only. For design details suitable for your location contact our technical service or ALUCOBOND® representative near you.

30 Madden
Auckland | New Zealand

Building Owner : Willis Bond
Architect : South Pacific Architects from Wellington
Fabricator/Installer : Symonite Panels Ltd
Completed Year : 2022
Product : ALUCOLUX® 3mm
Surface Finish : PVDF / FEVE Coil Coated
Color : Pure White, Anodic Dark Grey, Pale Oak
Photo Credit : Jason Mann

ALUCOBOND®



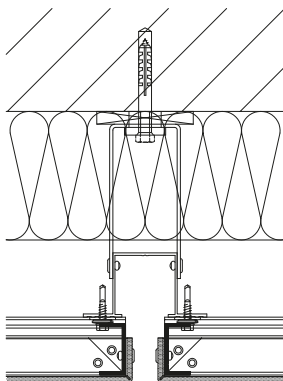
SOLAR.shell | Bad Rappenau-Bonfeld, Germany

July 2024

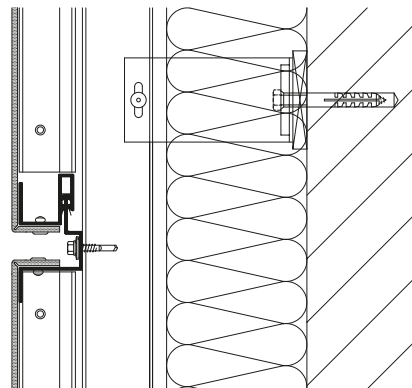
MON	TUE	WED	THU	FRI	SAT	SUN	MON	TUE	WED	THU	FRI	SAT	SUN	MON	TUE	WED	THU	FRI	SAT	SUN	MON	TUE	WED							
1	2	3	4	5	6	7	8	9	10	11	12	13	14	15	16	17	18	19	20	21	22	23	24	25	26	27	28	29	30	31
WK 27							WK 28							WK 29							WK 30									

ALUCOBOND®

Design | Construction ALUCOBOND® SZ 20 Tray Panel System – Open Joint



Horizontal Section



Vertical Section

All drawings are for illustration only. For design details suitable for your location contact our technical service or ALUCOBOND® representative near you.

SOLAR.shell
Bad Rappenau-Bonfeld | Germany

Building Owner : Aluform Alucobondverarbeitungs-GmbH
Architect : ai:L Architektur-Institut Leipzig an der HTWK Leipzig | Stefan Huth, M.A., Architekt
Prof. Dipl.-Ing. Frank Hülsmeier, Architekt | Dipl.-Ing. (FH) Adrian Heller, Architekt
Fabricator/Installer : Aluform Alucobondverarbeitungs-GmbH
Completed Year : 2022
Product : ALUCOBOND® PLUS 4mm
Surface Finish : PVDF / FEVE Coil Coated
Color : Pure White 10
Photo Credit : Frank Hülsmeier, Timo Schmidt

ALUCOBOND®



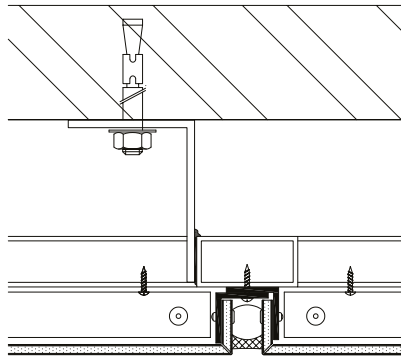
Weikfield IT Park | Pune, India

August 2024

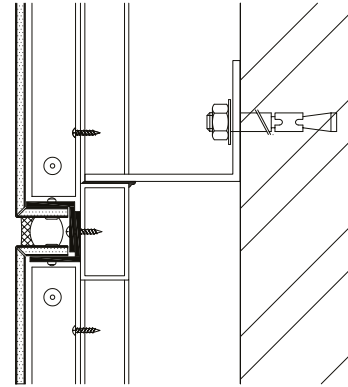
THU	FRI	SAT	SUN	MON	TUE	WED	THU	FRI	SAT	SUN	MON	TUE	WED	THU	FRI	SAT	SUN	MON	TUE	WED	THU	FRI	SAT							
1	2	3	4	5	6	7	8	9	10	11	12	13	14	15	16	17	18	19	20	21	22	23	24	25	26	27	28	29	30	31
WK 31				WK 32				WK 33				WK 34				WK 35														

ALUCOBOND®

Design | Construction ALUCOBOND® Tray Panel System - Sealed Joint



Horizontal Section



Vertical Section

All drawings are for illustration only. For design details suitable for your location contact our technical service or ALUCOBOND® representative near you.

Weikfield IT Park
Pune | India

Building Owner : NV Projects Pvt. Ltd
Fabricator/Installer : Metro Glass
Completed Year : 2022
Product : ALUCOBOND® FR 4mm
Surface Finish : PVDF / FEVE Coil Coated
Color : Silver Metallic 500
Photo Credit : © 3A Composites India Pvt. Ltd.

ALUCOBOND®



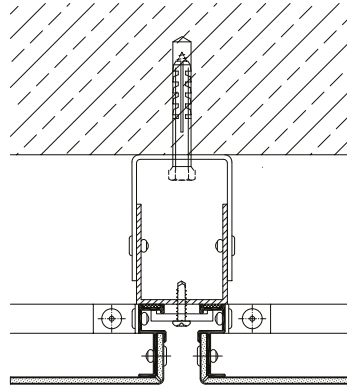
Eye Institute | Auckland, New Zealand

September 2024

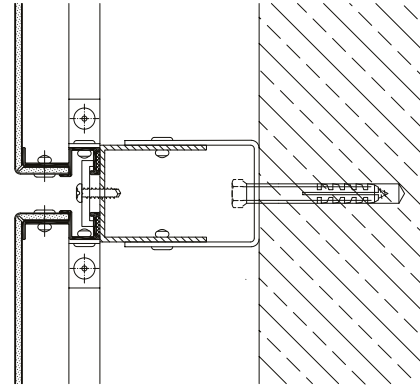
SUN	MON	TUE	WED	THU	FRI	SAT	SUN	MON	TUE	WED	THU	FRI	SAT	SUN	MON	TUE	WED	THU	FRI	SAT	SUN	MON							
1	2	3	4	5	6	7	8	9	10	11	12	13	14	15	16	17	18	19	20	21	22	23	24	25	26	27	28	29	30
WK 36							WK 37							WK 38							WK 39								

ALUCOBOND®

Design | Construction ALUCOBOND® Tray Panel System – Open Joint



Horizontal Section



Vertical Section

All drawings are for illustration only. For design details suitable for your location contact our technical service or ALUCOBOND® representative near you.

Eye Institute
Auckland | New Zealand

Building Owner : Eye Institute
Architect : Archimedia
Fabricator/Installer : Symonite Panels Ltd
Completed Year : 2021
Product : ALUCOBOND® PLUS 4mm
Surface Finish : PVDF / FEVE Coil Coated
Color : Pure White
Photo Credit : W Studio

ALUCOBOND®



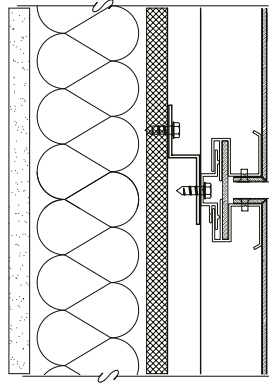
University of Texas - Austin Stadium | Austin, USA

October 2024

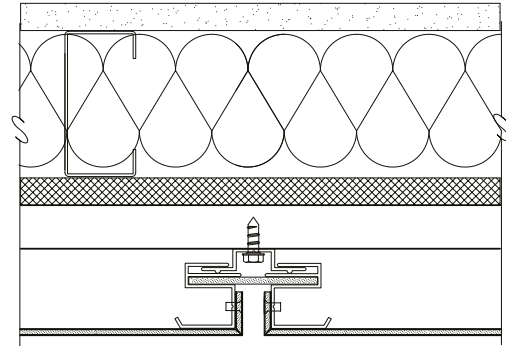
TUE	WED	THU	FRI	SAT	SUN	MON	TUE	WED	THU	FRI	SAT	SUN	MON	TUE	WED	THU	FRI	SAT	SUN	MON	TUE	WED	THU							
1	2	3	4	5	6	7	8	9	10	11	12	13	14	15	16	17	18	19	20	21	22	23	24	25	26	27	28	29	30	31
WK 40						WK 41						WK 42						WK 43						WK 44						

ALUCOBOND®

Design | Construction ALUCOBOND® Tray Panel System – Special Design



Horizontal Section



Vertical Section

All drawings are for illustration only. For design details suitable for your location contact our technical service or ALUCOBOND® representative near you.

University of Texas - Austin Stadium
Austin | USA

Building Owner	:	University of Texas
Architect	:	Populous®
Fabricator/Installer	:	Byrne Metals
Completed Year	:	2021
Product	:	ALUCOBOND® PLUS 4mm and ALUCOBOND® AXCENT™
Surface Finish	:	PVDF / FEVE Coil Coated
Color	:	Burnt Orange, Rusted Metal and Pure White
Photo Credit	:	3A Composites USA

ALUCOBOND®



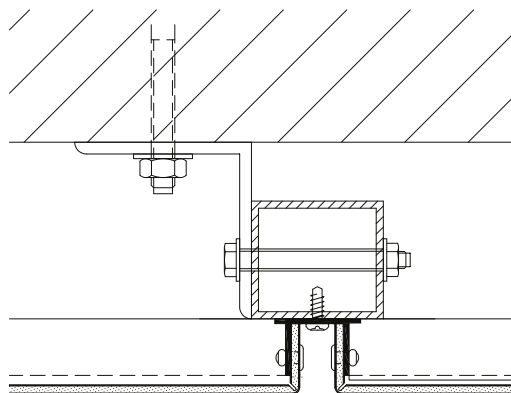
Kosmaj Zomes | Ducina, Serbia

November 2024

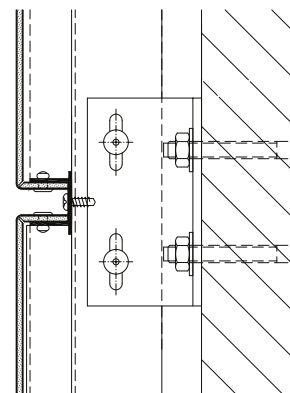
FRI	SAT	SUN	MON	TUE	WED	THU	FRI	SAT	SUN	MON	TUE	WED	THU	FRI	SAT	SUN	MON	TUE	WED	THU	FRI	SAT	SUN	MON	TUE	WED	THU	FRI	SAT
1	2	3	4	5	6	7	8	9	10	11	12	13	14	15	16	17	18	19	20	21	22	23	24	25	26	27	28	29	30
			WK 45				WK 46					WK 47					WK 48												

ALUCOBOND®

Design | Construction ALUCOBOND® Tray Panel Screw Fixed – Open Joint



Horizontal Section



Vertical Section

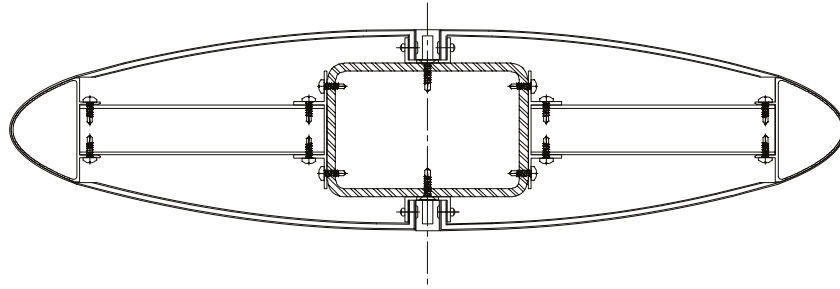
All drawings are for illustration only. For design details suitable for your location contact our technical service or ALUCOBOND® representative near you.

Kosmaj Zomes
Ducina | Serbia

Architect : Evozome design, Belgrade | Serbia
Fabricator/Installer : Evozome design, Belgrade | Serbia
Completed Year : 2022
Product : ALUCOBOND® PLUS 4mm
Surface Finish : PVDF / FEVE Coil Coated
Color : Spectra Sakura (917)
Photo Credit : Evozome design

ALUCOBOND®

Design | Construction ALUCOBOND® - Special Design



Section Drawing

All drawings are for illustration only. For design details suitable for your location contact our technical service or ALUCOBOND® representative near you.

BBA Plant Shenyang
Shenyang | China

Building Owner	:	BMW-Brilliance
Architect	:	DFD
Fabricator/Installer	:	Liaoning Qiangfeng Construction Group Co.
Completed Year	:	2021
Product	:	ALUCOBOND® PLUS 4mm
Surface Finish	:	PVDF / FEVE Coil Coated
Color	:	Silver Metallic 500
Photo Credit	:	© 3A Composites