



Project Name	Marina Barrage Parasol
Project Location	Singapore
Product/ Finish/ Solution	Ready to install solution using ALUCORE® clad for roofing and ALUCOBOND® plus for ceiling. Color: Light grey 104
Architect	Zarch Collaboratives Pte Ltd
Developer	Public Utilities Board
Year of Completion	2016

Built across the mouth of the Marina Channel, the Marina Barrage creates Singapore's 15th reservoir, and the first in the heart of the city, Marina Barrage is the vision of the late Mr. Lee Kuan Yew (the first Prime Minister of Singapore) more than two decades ago when he envisaged a damming at the Marina Channel to create a freshwater reservoir. The total estimated cost of this project is close to USD 170 million.

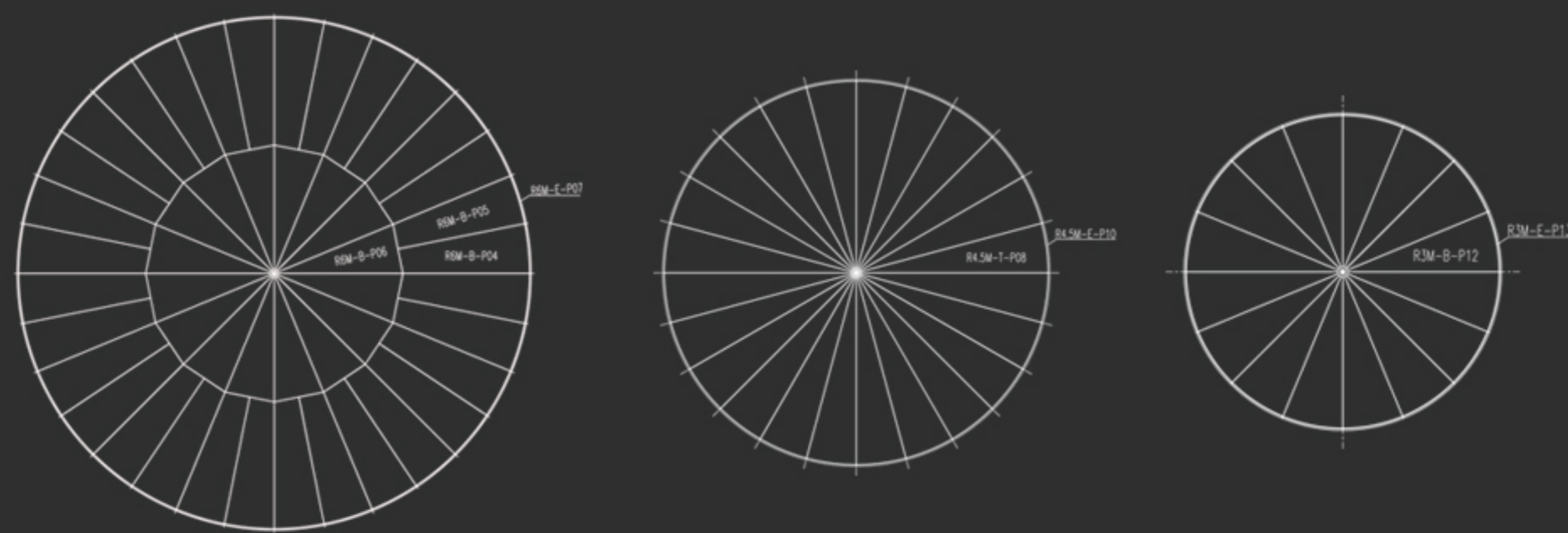
The idea of the developers- Public Utilities Board (PUB) was to create a landscape which would not only provide a spectacular view of Singapore's city skyline, but would also have a water feature ideal for outdoor events like parties, corporate functions, award presentations and performances.

The architects – Zarch Collaboratives, who have designed various Commercial, Residential, Art and Landscape projects in the past, knew that they had a big challenge on their hands. They had to create something which would not only blend in with the surroundings but also had its own character. They came up with the idea of creating a corsage of umbrellas, which would stand out and at the same time fits in with the other architecture.

The next big challenge, of course, was to choose the right kind of materials, which would turn their concept design into reality keeping in mind that aesthetics are as important as safety. The ALUCOBOND® team worked very closely with the architects to propose a solution and not just the product to render this idea into reality. The ALUCOBOND® team worked on the drawings and created designs to achieve the desired look and feel and after a lot of efforts and coordination with the architects and fabricators, the right solution was developed. As the canopy roof of the parasol needed to be strong, a honeycomb panel with pre fixed extrusions, ALUCORE® clad was custom developed for this project. For the inside ceiling of the parasol, ALUCOBOND® with the right systems was custom developed. The team at ALUCOBOND® took the responsibility of making sure the quality and consistency of each panel was excellent and the results are for everyone to see. One of the important things to consider was to have a proper drainage system built so that the water does not get trapped in the structure. This is one of the many projects where ALUCOBOND® did not just supply the panels but also worked closely with the architects designers and fabricators to create the right solution for the application. Sometimes just having a high quality product is not good enough; one needs to have the right design and fixing mechanism to get the desirable final outcome. This project is a classic example of how this can be done.

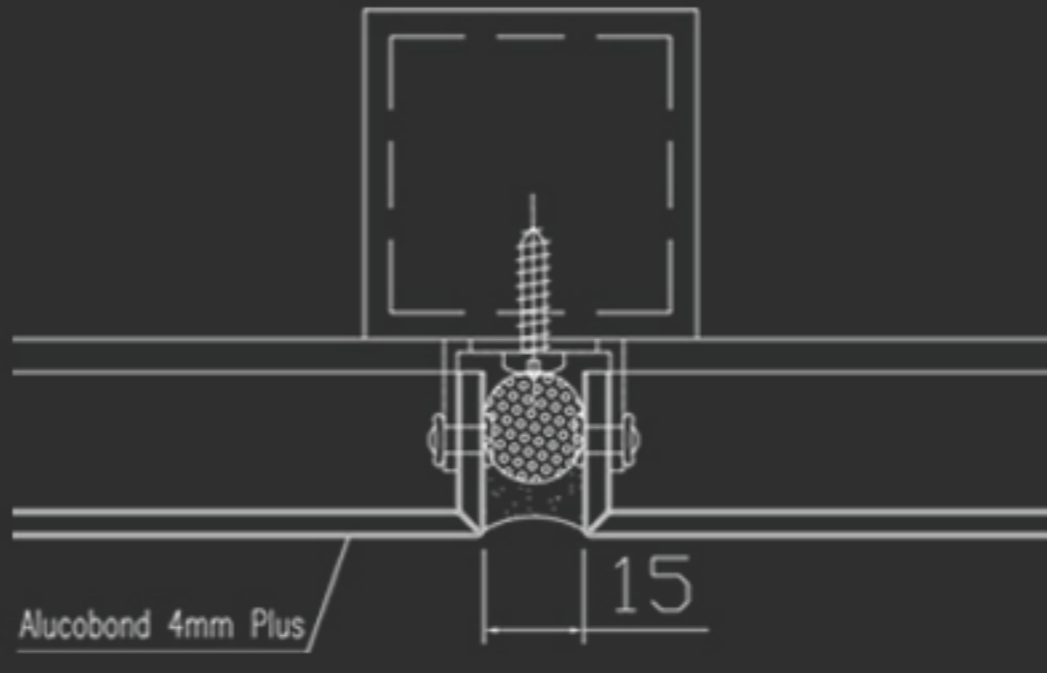
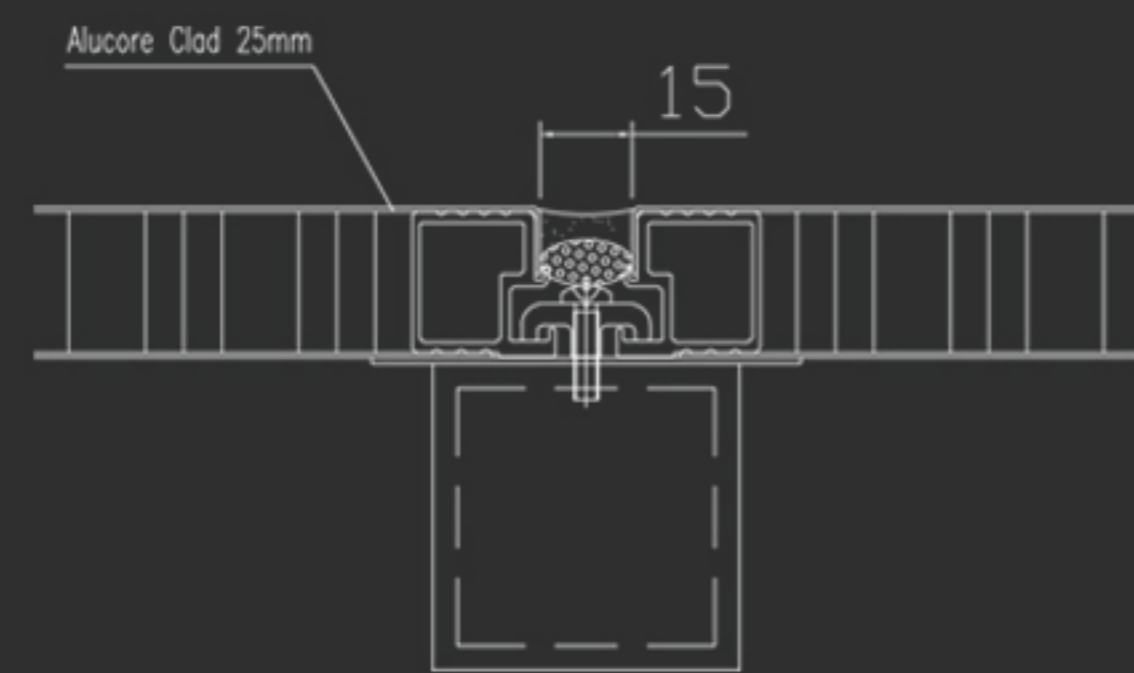
Marina Barrage is an important milestone in efforts to maximize Singapore's rainwater harvesting capacity, create sustainable water supply, in addition to being a recreation and tourist destination. These 15 parasols which have been designed keeping 'green/ environment friendly' architecture in mind, have become picturesque icons on the Marina Barrage skyline.

Layout detailing of the parasol umbrella where the roof had to be mirrored with the ceiling. Radius being 6000mm, 4500mm and 3000mm



Fixing system detailing of the roofing -25mm ALUCORE® clad

Fixing system detailing of the ceiling 4mm ALUCOBOND®



For more details please log on to :
<http://alucobond.com.sg/products/alucore-clad>
<http://alucobond.com.sg/products/alucobond-plus/>